

Multiple relay module - UMK- 4 RM230AC - 2972880

Please be informed that the data shown in this PDF Document is generated from our Online Catalog. Please find the complete data in the user's documentation. Our General Terms of Use for Downloads are valid (<http://phoenixcontact.com/download>)



VARIOFACE module, for 4 plug-in miniature relays or miniature optocouplers, with LED, 230 V AC input voltage



Key Commercial Data

Packing unit	1 pc
GTIN	
GTIN	4017918088828

Technical data

Note

Utilization restriction	EMC: class A product, see manufacturer's declaration in the download area
-------------------------	---

Dimensions

Width	67.5 mm
Height	77 mm
Depth	59 mm

Ambient conditions

Ambient temperature (operation)	-20 °C ... 50 °C
Ambient temperature (storage/transport)	-20 °C ... 70 °C
Degree of protection	IP20

Input data

Nominal input voltage U_N	230 V AC $\pm 10\%$
Input voltage range in reference to U_N	0.4 ... 1.1
Typical input current at U_N	0.5 mA (Light indicator)
Status display/channel	Glow lamp

Output data

Multiple relay module - UMK- 4 RM230AC - 2972880

Technical data

Output data

Contact type	1 PDT
Maximum switching voltage	250 V AC/DC
Limiting continuous current	5 A
Maximum inrush current	8 A
Error detection (line break / short-circuit)	no

General

No. of channels	4
Compatible components	Miniature relays or miniature optocouplers
With components	no
Mounting position	any
Color	green

Connection data

Connection name	Input
Connection method	Screw connection
Stripping length	8 mm
Screw thread	M3
Number of connections	2
Number of positions	8
Conductor cross section solid	0.2 mm ² ... 4 mm ²
Conductor cross section flexible	0.2 mm ² ... 2.5 mm ²
Conductor cross section AWG	24 ... 12

Connection data 2

Connection name	Output
Connection method	Screw connection
Stripping length	8 mm
Screw thread	M3
Number of connections	12
Number of positions	3
Conductor cross section solid	0.2 mm ² ... 4 mm ²
Conductor cross section flexible	0.2 mm ² ... 2.5 mm ²
Conductor cross section AWG	24 ... 12

Standards and Regulations

Standards/regulations	DIN EN 50178
	IEC 60664
Rated insulation voltage	260 V AC
Rated surge voltage	4 kV (Basic insulation between output contact current paths)
	6 kV (Safe isolation and reinforced insulation between input circuit and output contact paths)
Pollution degree	2

Multiple relay module - UMK- 4 RM230AC - 2972880

Technical data

Standards and Regulations

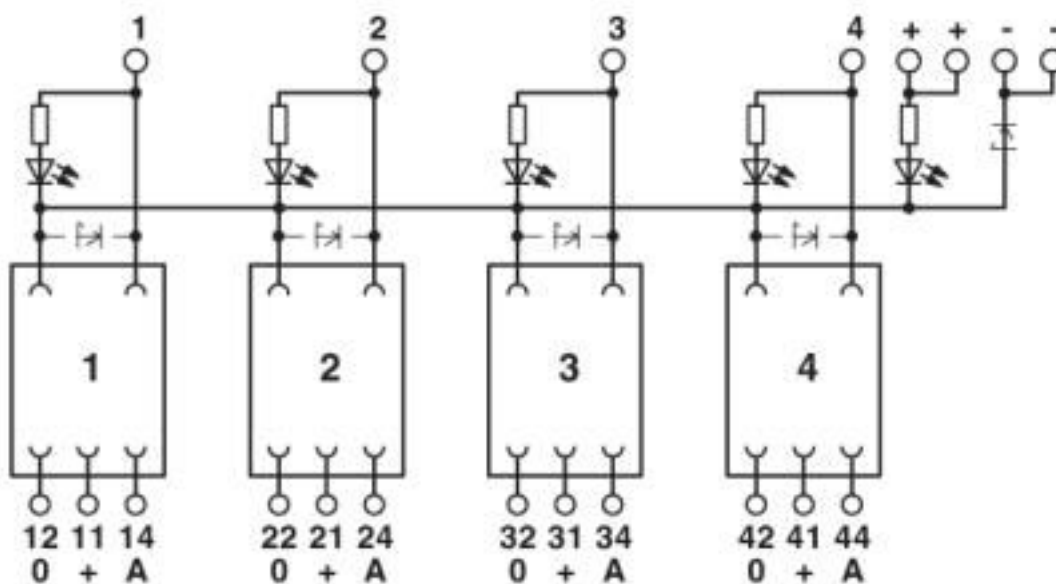
Overvoltage category	III
----------------------	-----

Environmental Product Compliance

REACH SVHC	Lead 7439-92-1
China RoHS	Environmentally Friendly Use Period = 50 years
	For details about hazardous substances go to tab "Downloads", Category "Manufacturer's declaration"

Drawings

Circuit diagram



Classifications

eCl@ss

eCl@ss 10.0.1	27371603
eCl@ss 4.0	27371100
eCl@ss 4.1	27371100
eCl@ss 5.0	27371600
eCl@ss 5.1	27371000
eCl@ss 6.0	27371600
eCl@ss 7.0	27371603
eCl@ss 8.0	27371603
eCl@ss 9.0	27371603

ETIM

ETIM 2.0	EC001456
----------	----------

Multiple relay module - UMK- 4 RM230AC - 2972880

Classifications

ETIM

ETIM 3.0	EC001456
ETIM 4.0	EC001456
ETIM 5.0	EC001456
ETIM 6.0	EC001456
ETIM 7.0	EC001456

UNSPSC

UNSPSC 6.01	30211916
UNSPSC 7.0901	39121543
UNSPSC 11	39121543
UNSPSC 12.01	39121543
UNSPSC 13.2	39122326
UNSPSC 18.0	39122335
UNSPSC 19.0	39122335
UNSPSC 20.0	39122335
UNSPSC 21.0	39122335

Approvals

Approvals

Approvals

EAC / EAC

Ex Approvals

Approval details

EAC		TR_TS_D_00573_c
-----	--	-----------------

EAC		RU*C- DE.*08.B.00010
-----	--	-------------------------

Accessories

Accessories

Retaining bracket

Multiple relay module - UMK- 4 RM230AC - 2972880

Accessories

Retaining bracket - SIM-ERSN-HB-KSR - 2271468



Retainer, for miniature switching relays or miniature optocouplers

Retaining bracket - SIM-ERSN-HB-KSR/MET - 2271497



Retainer, for miniature switching relays or miniature optocouplers

Retaining bracket - SIM-ERSN-HB-MR - 2271471



Retainer, for miniature relay

Retaining bracket - SIM-ERSN-HB-MR/MET - 2271510



Retainer, for miniature relay

Single relay

Single relay - REL-MR-230AC/21HC - 2961422



Plug-in miniature power relay, with power contact for high continuous currents, 1 PDT, input voltage 230 V AC

Multiple relay module - UMK- 4 RM230AC - 2972880

Accessories

Single relay - REL-MR-230AC/21HC AU - 2961529



Plug-in miniature power relay, with multi-layer gold contact for high continuous currents, 1 PDT, input voltage 230 V AC

Single solid-state relay

Miniature solid-state relay - SIM-EI-230AC/48DC/100 - 2271125



Input solid-state relay, with protective circuit in input and output circuits, input: 230 V AC, output: 8 - 48 V DC/100 mA

Miniature solid-state relay - SIM-EI-230AC/TTL/100 - 2271206



Input solid-state relay, with protective circuit in input and output circuits, input: 230 V AC, output: TTL logic level, max. 100 mA

Miniature solid-state relay - SIM-EI-230AC/48DC/100/RC - 2271426



Input solid-state relay, with protective circuit in input and output circuits, input: 230 V AC, output: 8 - 48 V DC/100 mA

Phoenix Contact 2020 © - all rights reserved
<http://www.phoenixcontact.com>

PHOENIX CONTACT GmbH & Co. KG
Flachsmarktstr. 8
32825 Blomberg
Germany
Tel. +49 5235 300
Fax +49 5235 3 41200
<http://www.phoenixcontact.com>

X-ON Electronics

Largest Supplier of Electrical and Electronic Components

Click to view similar products for [General Purpose Relays](#) category:

Click to view products by [Phoenix Contact](#) manufacturer:

Other Similar products are found below :

[PCN-105D3MH,000](#) [59641F200](#) [LY1SAC110120](#) [5X827E](#) [5X837F](#) [5X840F](#) [5X842F](#) [5X848E](#) [LY2N-AC120](#) [LY2S-AC220/240](#) [LY2-US-AC120](#) [LY3-US-AC120](#) [LY4F-UA-DC12](#) [LY4F-UA-DC24](#) [LY4F-US-AC120](#) [LY4F-US-AC240](#) [LY4F-US-DC24](#) [LY4F-VD-AC110](#) [LYQ20DC12](#) [M115C60](#) [M115N010](#) [M115N0150](#) [6031007G](#) [603-12D](#) [61211T0B4](#) [61212T400](#) [61222Q400](#) [61243B600](#) [61243C500](#) [61243Q400](#) [61311BOA2](#) [61311BOA6](#) [61311BOA8](#) [61311C0A2](#) [61311COA1](#) [61311COA6](#) [61311F0A2](#) [61311QOA1](#) [61311QOA4](#) [61311T0D6](#) [61311TOA6](#) [61311TOA7](#) [61311TOB3](#) [61311TOB4](#) [61311U0A6](#) [61312Q600](#) [61312T400](#) [61312T600](#) [61313U200](#) [61313U400](#)