

Multiple relay module - UMK- 8 RM 5DC/MKDS - 2972893

Please be informed that the data shown in this PDF Document is generated from our Online Catalog. Please find the complete data in the user's documentation. Our General Terms of Use for Downloads are valid (<http://phoenixcontact.com/download>)




VARIOFACE module, for 8 plug-in miniature relays or miniature optocouplers, with LED, 5 V DC input voltage

The figure shows a version for 8 pluggable miniature switching relays or miniature optocouplers



Key Commercial Data

Packing unit	1 pc
GTIN	 4 017918 088835
GTIN	4017918088835

Technical data

Note

Utilization restriction	EMC: class A product, see manufacturer's declaration in the download area
-------------------------	---

Dimensions

Width	135 mm
Height	77 mm
Depth	59 mm

Ambient conditions

Ambient temperature (operation)	-20 °C ... 50 °C
Ambient temperature (storage/transport)	-20 °C ... 70 °C

Input data

Nominal input voltage U_N	5 V DC $\pm 10\%$
Input voltage range in reference to U_N	0.9 ... 1.1
Type of protection	Free-wheeling diode
Protective circuit/component	Damping diode

Multiple relay module - UMK- 8 RM 5DC/MKDS - 2972893

Technical data

Input data

Type of protection	Reverse polarity protection
Protective circuit/component	Polarity protection diode
Operating voltage display	Yellow LED
Status display/channel	Yellow LED

Output data

Contact type	1 PDT
Maximum switching voltage	250 V AC
Limiting continuous current	5 A
Interrupting rating (ohmic load) max.	1250 VA (for 250 V AC)
Error detection (line break / short-circuit)	no

General

No. of channels	8
Compatible components	Miniature relays or miniature optocouplers
With components	no
Mounting position	any
Color	green

Connection data for connection 1

Connection name	Input
Connection method	Screw connection
Stripping length	8 mm
Screw thread	M3
Conductor cross section solid	0.2 mm ² ... 4 mm ²
Conductor cross section flexible	0.2 mm ² ... 2.5 mm ²
Conductor cross section AWG	24 ... 12
Number of connections	1
Number of positions	12

Connection data for connection 2

Connection name	Output
Connection method	Screw connection
Stripping length	8 mm
Screw thread	M3
Conductor cross section solid	0.2 mm ² ... 4 mm ²
Conductor cross section flexible	0.2 mm ² ... 2.5 mm ²
Conductor cross section AWG	24 ... 12
Number of connections	24
Number of positions	3

Standards and Regulations

Standards/regulations	DIN EN 50178
-----------------------	--------------

Multiple relay module - UMK- 8 RM 5DC/MKDS - 2972893

Technical data

Standards and Regulations

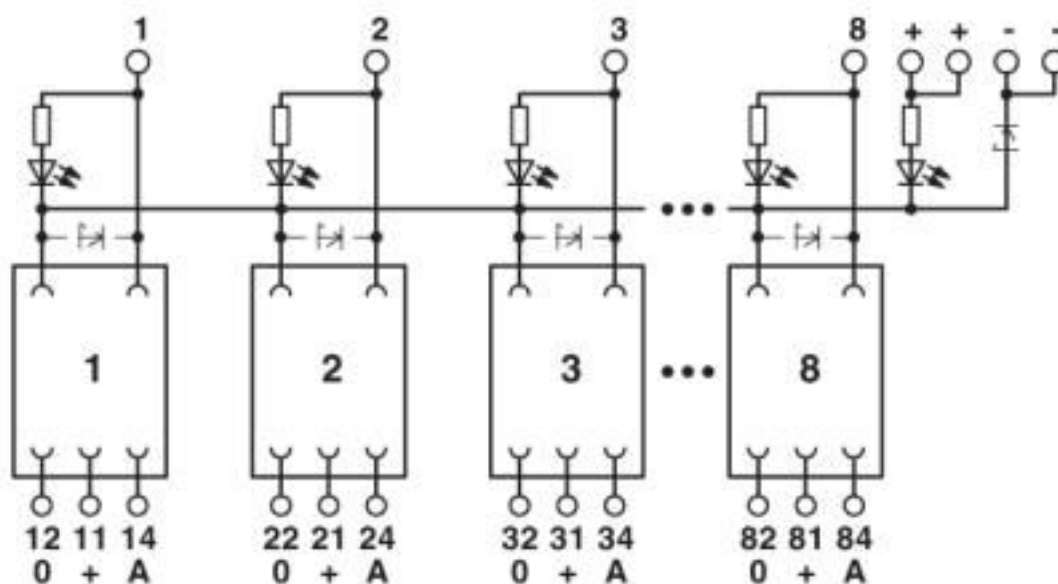
	IEC 60664
Rated insulation voltage	260 V AC
Rated surge voltage	4 kV (Basic insulation between output contact current paths)
	6 kV (Safe isolation and reinforced insulation between input circuit and output contact paths)
Pollution degree	2
Overvoltage category	III

Environmental Product Compliance

China RoHS	Environmentally Friendly Use Period = 50 years
	For details about hazardous substances go to tab "Downloads", Category "Manufacturer's declaration"

Drawings

Circuit diagram



Classifications

eCl@ss

eCl@ss 5.0	27371603
eCl@ss 5.1	27371000
eCl@ss 6.0	27371600
eCl@ss 7.0	27371603
eCl@ss 8.0	27371603
eCl@ss 9.0	27371603

Multiple relay module - UMK- 8 RM 5DC/MKDS - 2972893

Classifications

ETIM

ETIM 2.0	EC001456
ETIM 3.0	EC001456
ETIM 4.0	EC001456
ETIM 5.0	EC001456
ETIM 6.0	EC001456

UNSPSC

UNSPSC 6.01	30211916
UNSPSC 7.0901	39121543
UNSPSC 11	39121543
UNSPSC 12.01	39121543
UNSPSC 13.2	39122326
UNSPSC 19.0	39122326

Accessories

Accessories

Retaining bracket

Retaining bracket - SIM-ERSN-HB-KSR - 2271468



Retainer, for miniature switching relays or miniature optocouplers

Retaining bracket - SIM-ERSN-HB-KSR/MET - 2271497



Retainer, for miniature switching relays or miniature optocouplers

Retaining bracket - SIM-ERSN-HB-MR - 2271471



Retainer, for miniature relay

Multiple relay module - UMK- 8 RM 5DC/MKDS - 2972893

Accessories

Retaining bracket - SIM-ERSN-HB-MR/MET - 2271510

Retainer, for miniature relay



Single solid-state relay

Miniature solid-state relay - SIM-EI- 5DC/48DC/100 - 2271057



Input solid-state relay, with protective circuit in input and output circuits, input: 5 V DC, output: 8 - 48 V DC/100 mA

Miniature solid-state relay - SIM-EI- 5DC/TTL/100 - 2271138



Input solid-state relay, with protective circuit in input and output circuits, input: 5 V DC, output: TTL logic level, max. 100 mA

Phoenix Contact 2020 © - all rights reserved
<http://www.phoenixcontact.com>

PHOENIX CONTACT GmbH & Co. KG
Flachsmarktstr. 8
32825 Blomberg
Germany
Tel. +49 5235 300
Fax +49 5235 3 41200
<http://www.phoenixcontact.com>

X-ON Electronics

Largest Supplier of Electrical and Electronic Components

Click to view similar products for [General Purpose Relays](#) category:

Click to view products by [Phoenix Contact](#) manufacturer:

Other Similar products are found below :

[PCN-105D3MH,000](#) [59641F200](#) [LY1SAC110120](#) [5X827E](#) [5X837F](#) [5X840F](#) [5X842F](#) [5X848E](#) [LY2N-AC120](#) [LY2S-AC220/240](#) [LY2-US-AC120](#) [LY3-US-AC120](#) [LY4F-UA-DC12](#) [LY4F-UA-DC24](#) [LY4F-US-AC120](#) [LY4F-US-AC240](#) [LY4F-US-DC24](#) [LY4F-VD-AC110](#) [LYQ20DC12](#) [M115C60](#) [M115N010](#) [M115N0150](#) [6031007G](#) [603-12D](#) [61211T0B4](#) [61212T400](#) [61222Q400](#) [61243B600](#) [61243C500](#) [61243Q400](#) [61311BOA2](#) [61311BOA6](#) [61311BOA8](#) [61311C0A2](#) [61311COA1](#) [61311COA6](#) [61311F0A2](#) [61311QOA1](#) [61311QOA4](#) [61311T0D6](#) [61311TOA6](#) [61311TOA7](#) [61311TOB3](#) [61311TOB4](#) [61311U0A6](#) [61312Q600](#) [61312T400](#) [61312T600](#) [61313U200](#) [61313U400](#)