

Active module - UMK-16 RELS/KSR-G24/21/PLC - 2974901

Please be informed that the data shown in this PDF Document is generated from our Online Catalog. Please find the complete data in the user's documentation. Our General Terms of Use for Downloads are valid (<http://phoenixcontact.com/download>)



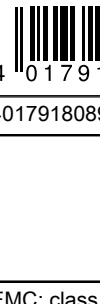
VARIOFACE output module, with plug-in bases for 16 miniature relays, 1 PDT each, for 24 V DC (basic module, without relays)

Your advantages

- ✓ LED status indicator per signal path and supply voltage
- ✓ Freewheeling and polarity protection diode for each signal path
- ✓ Plug-in miniature relays each with a PDT contact



Key Commercial Data

Packing unit	1 pc
GTIN	
GTIN	4017918089009

Technical data

Note

Utilization restriction	EMC: class A product, see manufacturer's declaration in the download area
-------------------------	---

Dimensions

Width	259 mm
Height	77 mm
Depth	59 mm

Ambient conditions

Ambient temperature (operation)	-20 °C ... 50 °C
Ambient temperature (storage/transport)	-20 °C ... 70 °C
Degree of protection	IP00

Input data

Nominal input voltage U_N	24 V DC
-----------------------------	---------

Active module - UMK-16 RELS/KSR-G24/21/PLC - 2974901

Technical data

Input data

Input voltage range in reference to U_N	0.8 ... 1.1
Typical input current at U_N	2 mA (Light indicator)
Type of protection	Free-wheeling diode
Protective circuit/component	Damping diode
Operating voltage display	Green LED
Status display/channel	Yellow LED

Output data

Contact type	1 PDT
Maximum switching voltage	250 V AC/DC
Limiting continuous current	5 A

General

No. of channels	16
	32
Compatible components	Miniature relay, REL-MR- 24DC/21HC
With components	no
Mechanical service life	3×10^7 cycles
Operating mode	100% operating factor
Mounting position	any
Assembly instructions	In rows with zero spacing
Color	green

Connection data

Connection name	Coil side
Connection method	IDC/FLK pin strip
Number of connections	1
Number of positions	50
Pitch	2.54 mm

Connection data 2

Connection name	Contact side
Connection method	Screw connection
Stripping length	8 mm
Screw thread	M3
Number of connections	48
Conductor cross section solid	0.2 mm ² ... 4 mm ²
Conductor cross section flexible	0.2 mm ² ... 2.5 mm ²
Conductor cross section AWG	24 ... 12

Connection data 3

Connection name	Supply
Connection method	Screw connection

Active module - UMK-16 RELS/KSR-G24/21/PLC - 2974901

Technical data

Connection data 3

Stripping length	8 mm
Screw thread	M3
Number of connections	4
Conductor cross section solid	0.2 mm ² ... 4 mm ²
Conductor cross section flexible	0.2 mm ² ... 2.5 mm ²
Conductor cross section AWG	24 ... 12

Connection data 4

Connection name	Connection for extension module
Connection method	IDC/FLK pin strip
Number of connections	1
Number of positions	20
Pitch	2.54 mm

Supported controller

Controller	SIEMENS S7-400
- suitable I/O card	6ES7 422-1BL00-0AA0
	6ES7 422-7BL00-0AB0
Controller	ALLEN-BRADLEY ControlLogix
- suitable I/O card	1756-OB32
Controller	ALLEN-BRADLEY PLC 5
- suitable I/O card	1771 OBN
Controller	HONEYWELL Experion PKS C200
- suitable I/O card	TC-ODD 321
Controller	MITSUBISHI MELSEC Q
- suitable I/O card	QY81P
Controller	Schneider Electric Modicon TSX QUANTUM
- suitable I/O card	DDO 353
Controller	SIEMENS S7-300 / ET 200 M
- suitable I/O card	6ES7 322-1BL00-0AA0
Controller	GE-FANUC RX3i
- suitable I/O card	IC694MDL754

Standards and Regulations

Standards/regulations	DIN EN 50178
	IEC 60664
Rated insulation voltage	260 V AC
Rated surge voltage	4 kV (Basic insulation between output contact current paths)
	6 kV (Safe isolation and reinforced insulation between input circuit and output contact paths)
Pollution degree	2
Overvoltage category	III

Active module - UMK-16 RELS/KSR-G24/21/PLC - 2974901

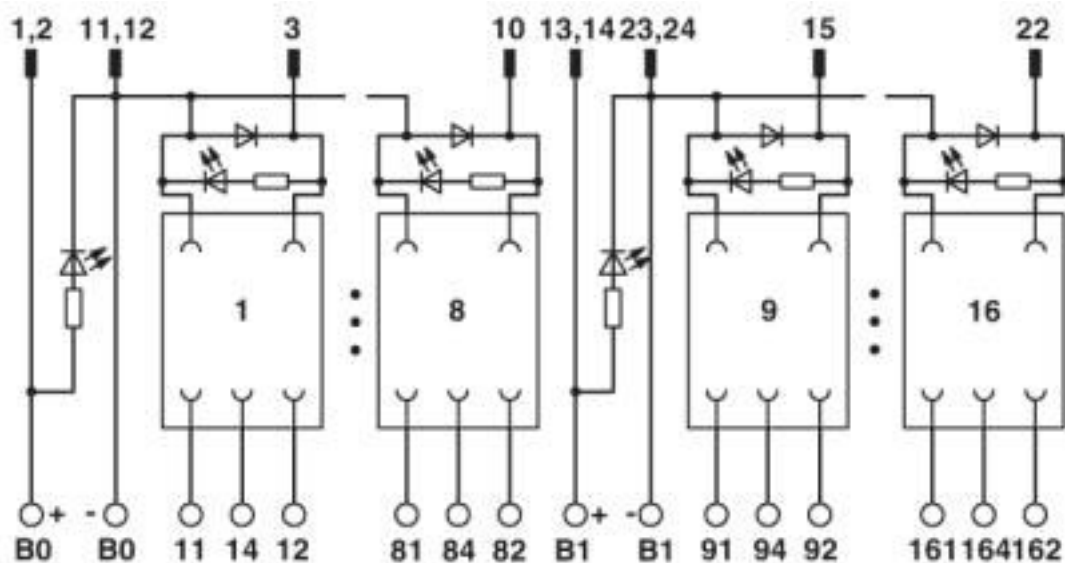
Technical data

Environmental Product Compliance

REACH SVHC	Lead 7439-92-1
China RoHS	Environmentally Friendly Use Period = 50 years
	For details about hazardous substances go to tab "Downloads", Category "Manufacturer's declaration"

Drawings

Circuit diagram



Classifications

eCl@ss

eCl@ss 10.0.1	27141152
eCl@ss 4.0	27371100
eCl@ss 4.1	27371100
eCl@ss 5.0	27371000
eCl@ss 5.1	27371000
eCl@ss 6.0	27371000
eCl@ss 7.0	27141152
eCl@ss 8.0	27141152
eCl@ss 9.0	27141152

ETIM

ETIM 5.0	EC002780
ETIM 6.0	EC002780
ETIM 7.0	EC002780

Active module - UMK-16 RELS/KSR-G24/21/PLC - 2974901

Classifications

UNSPSC

UNSPSC 6.01	30211916
UNSPSC 7.0901	39121515
UNSPSC 11	39121515
UNSPSC 12.01	39121515
UNSPSC 13.2	39121432
UNSPSC 18.0	39121432
UNSPSC 19.0	39121432
UNSPSC 20.0	39121432
UNSPSC 21.0	39121432

Approvals

Approvals

Approvals

UL Listed / cUL Listed / EAC / cULus Listed

Ex Approvals

Approval details

UL Listed		http://database.ul.com/cgi-bin/XYV/template/LISEXT/1FRAME/index.htm	FILE E 238705
-----------	--	---	---------------

cUL Listed		http://database.ul.com/cgi-bin/XYV/template/LISEXT/1FRAME/index.htm	FILE E 238705
------------	--	---	---------------

EAC		RU*DE*08.B.01841/19
-----	--	---------------------

cULus Listed	
--------------	--

Accessories

Accessories

Active module - UMK-16 RELS/KSR-G24/21/PLC - 2974901

Accessories

Retaining bracket

Retaining bracket - SIM-ERSN-HB-MR - 2271471



Retainer, for miniature relay

Single relay

Single relay - REL-MR- 24DC/21HC - 2961312



Plug-in miniature power relay, with power contact for high continuous currents, 1 PDT, input voltage 24 V DC

Additional products

Active module - UMK-16 RELS/KSR-G24/21/E/PLC - 2974891



VARIOFACE output extension module, with plug-in bases for 16 miniature relays, 1 PDT each, for 24 V DC (without relays)

X-ON Electronics

Largest Supplier of Electrical and Electronic Components

Click to view similar products for [Relay Sockets & Fixings](#) category:

Click to view products by [Phoenix Contact](#) manufacturer:

Other Similar products are found below :

[00008258500](#) [00111976502](#) [0000-825-81-00](#) [60SY4S05](#) [M41G](#) [670-0125](#) [670-0127](#) [6700152](#) [670-0153](#) [6700156](#) [D258-2TS00](#) [70-309](#) [7-1393143-3](#) [7-1616360-5](#) [8000-DG2-5](#) [911361](#) [9-1616339-5](#) [PJF11N](#) [GDA12HA](#) [GDA12HD](#) [GDA12SA](#) [GDA12SD](#) [GDA16HD](#) [GDA22HA](#) [GDA95A](#) [GDA95D](#) [GFX20](#) [PT08QN](#) [PT 1/8 D = 3.2](#) [GUA1](#) [GUA2-11](#) [GUA4-04](#) [GUA4-31](#) [GUM5R](#) [GUR-120](#) [GUR-24](#) [GUR-240](#) [GUR-277](#) [GURX-277](#) [GUW12](#) [GUW95](#) [GUZ63L](#) [R99-11 FOR MY\(NAMEPLATE\)](#) [D52PR2T](#) [RES100K](#) [1310H-HDC](#) [1390H-1ST](#) [1393824-3](#) [1390H-2PC](#) [1410-2SM](#)