

Multiple relay module - UMK- 8 RELS/KSR-24/21/21 - 2975722


Please be informed that the data shown in this PDF Document is generated from our Online Catalog. Please find the complete data in the user's documentation. Our General Terms of Use for Downloads are valid (<http://phoenixcontact.com/download>)



VARIOFACE module, with plug-in bases for 8 miniature relays with two PDT contacts, with light indicator



Key Commercial Data

Packing unit	1 pc
GTIN	 4 017918 100810
GTIN	4017918100810

Technical data

Note

Utilization restriction	EMC: class A product, see manufacturer's declaration in the download area
-------------------------	---

Dimensions

Width	168.8 mm
Height	77 mm
Depth	59 mm

Ambient conditions

Ambient temperature (operation)	-20 °C ... 50 °C
Ambient temperature (storage/transport)	-20 °C ... 70 °C

Input data

Nominal input voltage U_N	24 V DC \pm 10 %
Input voltage range in reference to U_N	0.9 ... 1.1
Type of protection	Free-wheeling diode
Protective circuit/component	Damping diode
Type of protection	Reverse polarity protection
Protective circuit/component	Polarity protection diode

Multiple relay module - UMK- 8 RELS/KSR-24/21/21 - 2975722

Technical data

Input data

Status display/channel	Yellow LED
------------------------	------------

Output data

Contact type	2 PDT
Maximum switching voltage	250 V AC
Limiting continuous current	5 A
Error detection (line break / short-circuit)	no

General

No. of channels	8
Compatible components	Miniature relays or miniature optocouplers
With components	no
Mounting position	any
Housing insulation material	PVC, side panel PA non-reinforced,
Color	green

Connection data

Connection name	Input
Connection method	Screw connection
Stripping length	6 mm
Screw thread	M3
Number of connections	1
Number of positions	10
Conductor cross section solid	0.14 mm ² ... 1.5 mm ²
Conductor cross section flexible	0.14 mm ² ... 1.5 mm ²
Conductor cross section AWG	26 ... 14

Connection data 2

Connection name	Output
Connection method	Screw connection
Stripping length	6 mm
Screw thread	M3
Number of connections	48
Number of positions	6
Conductor cross section solid	0.14 mm ² ... 1.5 mm ²
Conductor cross section flexible	0.14 mm ² ... 1.5 mm ²
Conductor cross section AWG	26 ... 14

Standards and Regulations

Standards/regulations	DIN VDE 0110
Pollution degree	2
Overvoltage category	III

Environmental Product Compliance

Multiple relay module - UMK- 8 RELS/KSR-24/21/21 - 2975722

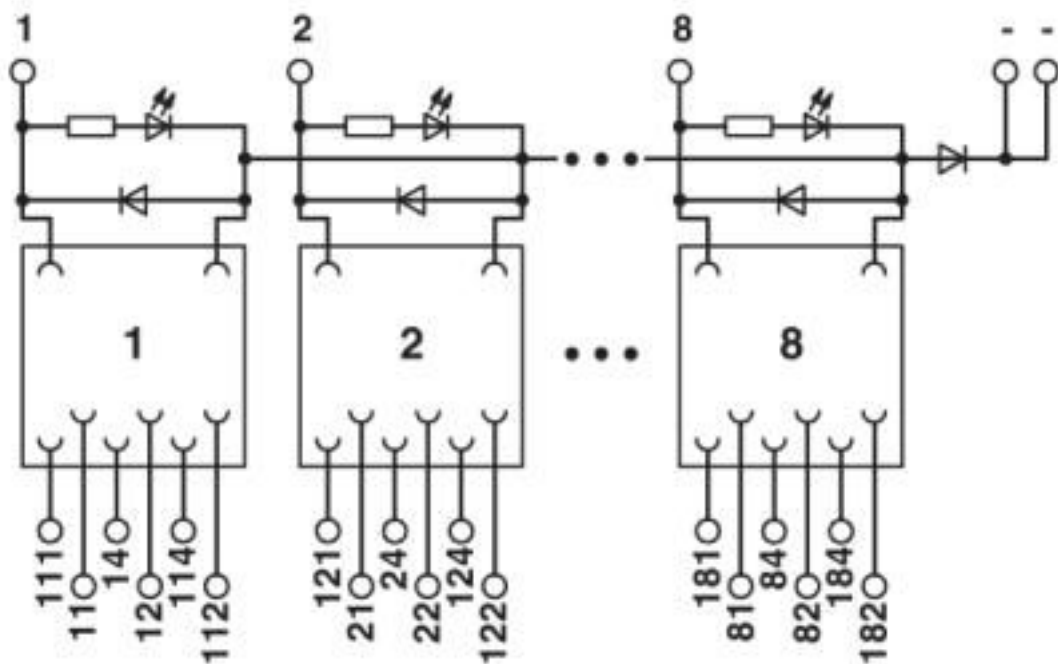
Technical data

Environmental Product Compliance

REACH SVHC	Lead 7439-92-1
China RoHS	Environmentally Friendly Use Period = 50 years
	For details about hazardous substances go to tab "Downloads", Category "Manufacturer's declaration"

Drawings

Circuit diagram



Classifications

eCl@ss

eCl@ss 10.0.1	27371603
eCl@ss 4.0	27371100
eCl@ss 4.1	27371100
eCl@ss 5.0	27371600
eCl@ss 5.1	27371000
eCl@ss 6.0	27371600
eCl@ss 7.0	27371603
eCl@ss 8.0	27371603
eCl@ss 9.0	27371603

ETIM

ETIM 2.0	EC001456
----------	----------

Multiple relay module - UMK- 8 RELS/KSR-24/21/21 - 2975722

Classifications

ETIM

ETIM 3.0	EC001456
ETIM 4.0	EC001456
ETIM 5.0	EC001456
ETIM 6.0	EC001456
ETIM 7.0	EC001456

UNSPSC

UNSPSC 6.01	30211916
UNSPSC 7.0901	39121543
UNSPSC 11	39121543
UNSPSC 12.01	39121543
UNSPSC 13.2	39122326
UNSPSC 18.0	39122335
UNSPSC 19.0	39122335
UNSPSC 20.0	39122335
UNSPSC 21.0	39122335

Approvals

Approvals

Approvals

EAC / EAC

Ex Approvals

Approval details

EAC		TR_TS_D_00573_c
-----	--	-----------------

EAC		RU*C- DE.*08.B.00010
-----	--	-------------------------

Accessories

Accessories

Retaining bracket

Multiple relay module - UMK- 8 RELS/KSR-24/21/21 - 2975722

Accessories

Retaining bracket - SIM-ERSN-HB-KSR - 2271468



Retainer, for miniature switching relays or miniature optocouplers

Retaining bracket - SIM-ERSN-HB-KSR/MET - 2271497



Retainer, for miniature switching relays or miniature optocouplers

Retaining bracket - SIM-ERSN-HB-MR - 2271471



Retainer, for miniature relay

Retaining bracket - SIM-ERSN-HB-MR/MET - 2271510



Retainer, for miniature relay

Single relay

Single relay - REL-MR- 24DC/21-21 - 2961192



Plug-in miniature power relay, with power contact, 2 PDTs, input voltage 24 V DC

Multiple relay module - UMK- 8 RELS/KSR-24/21/21 - 2975722

Accessories

Single relay - REL-MR- 24DC/21-21AU - 2961215



Plug-in miniature power relay, with multi-layer gold contact, 2 PDTs, input voltage 24 V DC

Phoenix Contact 2020 © - all rights reserved
<http://www.phoenixcontact.com>

PHOENIX CONTACT GmbH & Co. KG
Flachsmarktstr. 8
32825 Blomberg
Germany
Tel. +49 5235 300
Fax +49 5235 3 41200
<http://www.phoenixcontact.com>

X-ON Electronics

Largest Supplier of Electrical and Electronic Components

Click to view similar products for [Relay Sockets & Fixings](#) category:

Click to view products by [Phoenix Contact](#) manufacturer:

Other Similar products are found below :

[00008258500](#) [00111976502](#) [0000-825-81-00](#) [60SY4S05](#) [M41G](#) [670-0125](#) [670-0127](#) [6700152](#) [670-0153](#) [6700156](#) [D258-2TS00](#) [70-309](#) [7-1393143-3](#) [7-1616360-5](#) [8000-DG2-5](#) [911361](#) [9-1616339-5](#) [PJF11N](#) [GDA12HA](#) [GDA12HD](#) [GDA12SA](#) [GDA12SD](#) [GDA16HD](#) [GDA22HA](#) [GDA95A](#) [GDA95D](#) [GFX20](#) [PT08QN](#) [PT 1/8 D = 3.2](#) [GUA1](#) [GUA2-11](#) [GUA4-04](#) [GUA4-31](#) [GUM5R](#) [GUR-120](#) [GUR-24](#) [GUR-240](#) [GUR-277](#) [GURX-277](#) [GUW12](#) [GUW95](#) [GUZ63L](#) [R99-11 FOR MY\(NAMEPLATE\)](#) [D52PR2T](#) [RES100K](#) [1310H-HDC](#) [1390H-1ST](#) [1393824-3](#) [1390H-2PC](#) [1410-2SM](#)