

Extension module - PSR-SCP- 24DC/URD3/4X1/2X2 - 2981512

Please be informed that the data shown in this PDF Document is generated from our Online Catalog. Please find the complete data in the user's documentation. Our General Terms of Use for Downloads are valid (<http://phoenixcontact.com/download>)



1-channel contact extension with TBUS interface, 4 N/O contacts, 1 N/C contact, 1 confirmation current path, adjustable dropout delay of 0.5 ... 30 s, Cat. 3, PL e in accordance with EN ISO 13849, plug-in screw terminal blocks, width: 22.5 mm

Your advantages

- ✓ Up to Cat. 3/PL e in accordance with EN ISO 13849-1, SILCL 3 in accordance with IEC 62061, SIL 3 in accordance with IEC 61508
- ✓ Each with 4 enabling, 1 signaling, and 1 confirmation current path, all with dropout delay
- ✓ Single-channel control



Key Commercial Data

Packing unit	1 pc
GTIN	
GTIN	4017918996802

Technical data

Note

Utilization restriction	EMC: class A product, see manufacturer's declaration in the download area
-------------------------	---------------------------------------------------------------------------

Dimensions

Width	22.5 mm
Height	99 mm
Depth	114.5 mm

Ambient conditions

Ambient temperature (operation)	-20 °C ... 55 °C
Ambient temperature (storage/transport)	-40 °C ... 70 °C
Max. permissible relative humidity (operation)	75 % (on average, 85% infrequently, non-condensing)
Max. permissible humidity (storage/transport)	75 % (on average, 85% infrequently, non-condensing)
Maximum altitude	max. 2000 m (Above sea level)

Extension module - PSR-SCP- 24DC/URD3/4X1/2X2 - 2981512

Technical data

Input data

Nominal input voltage U_N	24 V DC
Input voltage range in reference to U_N	0.85 ... 1.1
Typical input current at U_N	84 mA
Typical response time	20 ms
Typical release time range	0.5 s ... 38 s ± 20 % (BG rating to max. 30 s)
Recovery time	1 s
Operating voltage display	Green LED
Status display	Green LED
Protective circuit	Surge protection Suppressor diode
	Fuse PTC resistor

Output data

Contact type	4 delayed enabling current paths
	1 delayed signaling current path
	1 delayed confirmation current path
Contact material	AgSnO ₂
Maximum switching voltage	250 V AC/DC
Minimum switching voltage	15 V AC/DC
Limiting continuous current	6 A (N/O contact)
	3 A (N/C contact)
Maximum inrush current	6 A (N/O contact)
	3 A (N/C contact)
Inrush current, minimum	25 mA
Sq. Total current	$50 \text{ A}^2 (I_{TH}^2 = I_1^2 + I_2^2 + I_3^2 + I_4^2)$
Interrupting rating (ohmic load) max.	114 W (24 V DC, $\tau = 0$ ms, N/C contact 65/66: 72 W)
	288 W (48 V DC, $\tau = 0$ ms, N/C contact 65/66: 144 W)
	77 W (110 V DC, $\tau = 0$ ms)
	88 W (220 V DC, $\tau = 0$ ms)
	1500 VA (250 V AC, $\tau = 0$ ms, N/C contact 65/66: 750 VA)
Maximum interrupting rating (inductive load)	48 W (24 V DC, $\tau = 40$ ms)
	40 W (48 V DC, $\tau = 40$ ms)
	35 W (110 V DC, $\tau = 40$ ms)
	33 W (220 V DC, $\tau = 40$ ms)
Switching capacity min.	0.4 W
Mechanical service life	approx. 10^7 cycles
Switching capacity (360/h cycles)	6 A (24 V DC)
	5 A (230 V AC)
Output fuse	10 A gL/gG NEOZED (N/O contact)
	4 A gL/gG NEOZED (N/C contact)

General

Extension module - PSR-SCP- 24DC/URD3/4X1/2X2 - 2981512

Technical data

General

Relay type	Electromechanical relay with force-guided contacts in accordance with IEC/EN 61810-3
Nominal operating mode	100% operating factor
Net weight	205 g
Mounting position	any
Mounting type	DIN rail mounting
Degree of protection	IP20
Min. degree of protection of inst. location	IP54
Housing color	yellow

Connection data

Connection method	Screw connection
pluggable	Yes
Conductor cross section solid	0.2 mm ² ... 2.5 mm ²
Conductor cross section flexible	0.2 mm ² ... 2.5 mm ²
Conductor cross-section AWG	24 ... 12
Stripping length	7 mm
Screw thread	M3

Safety-related characteristic data

Stop category	1
Designation	IEC 61508 - High demand
Safety Integrity Level (SIL)	3 (In conjunction with suitable evaluating device)
Designation	IEC 61508 - Low demand
Safety Integrity Level (SIL)	3 (In conjunction with suitable evaluating device)
Designation	EN ISO 13849
Performance level (PL)	e (In conjunction with suitable evaluating device)
Category	3 (In conjunction with suitable evaluating device)
Designation	EN 62061
Safety Integrity Level Claim Limit (SIL CL)	3 (In conjunction with suitable evaluating device)

Standards and Regulations

Designation	Air clearances and creepage distances between the power circuits
Standards/regulations	DIN EN 50178/VDE 0160
Rated insulation voltage	250 V
Rated surge voltage/insulation	4 kV / basic isolation (safe isolation, reinforced insulation and 6 kV between input circuit/N/C contacts and enabling current paths).
Degree of pollution	2
Overvoltage category	III

Environmental Product Compliance

REACH SVHC	Lead 7439-92-1
China RoHS	Environmentally Friendly Use Period = 50 years

Extension module - PSR-SCP- 24DC/URD3/4X1/2X2 - 2981512

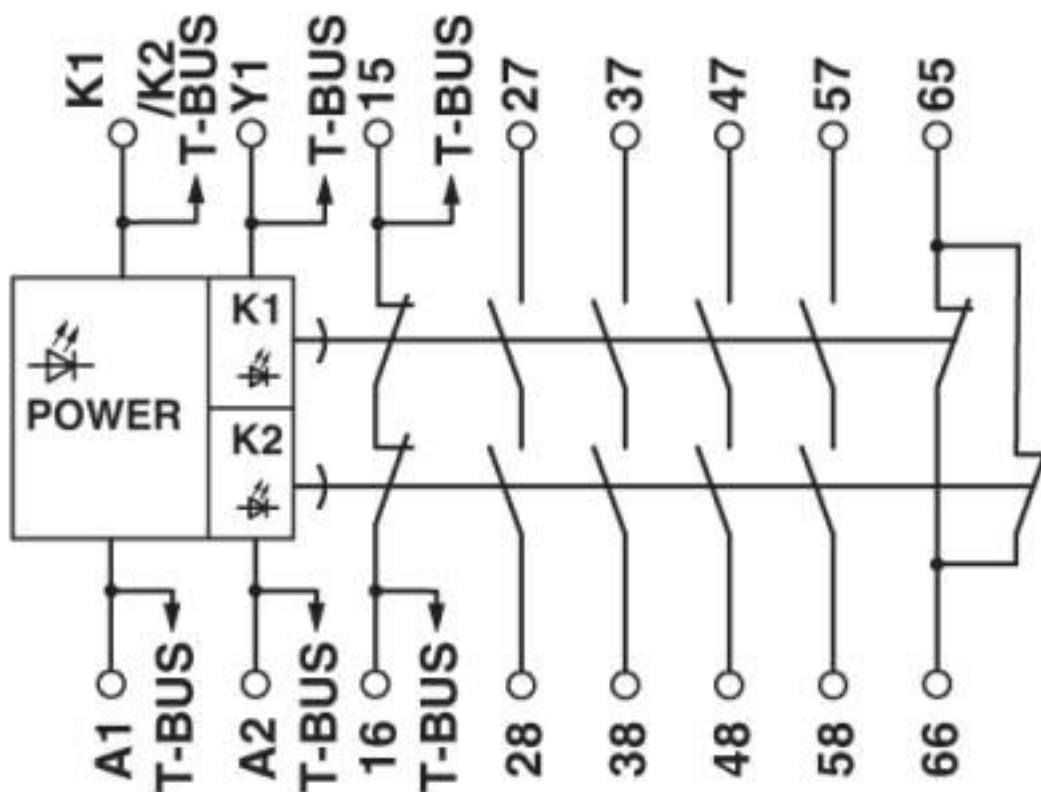
Technical data

Environmental Product Compliance

	For details about hazardous substances go to tab "Downloads", Category "Manufacturer's declaration"
--	-----------------------------------------------------------------------------------------------------

Drawings

Circuit diagram



Classifications

eCl@ss

eCl@ss 10.0.1	27371819
eCl@ss 4.0	40020600
eCl@ss 4.1	40020600
eCl@ss 5.0	27371900
eCl@ss 5.1	27371900
eCl@ss 6.0	27371800
eCl@ss 7.0	27371819
eCl@ss 8.0	27371819
eCl@ss 9.0	27371819

Extension module - PSR-SCP- 24DC/URD3/4X1/2X2 - 2981512

Classifications

ETIM

ETIM 2.0	EC001449
ETIM 3.0	EC001449
ETIM 4.0	EC001449
ETIM 5.0	EC001449
ETIM 6.0	EC001449
ETIM 7.0	EC001449

UNSPSC

UNSPSC 6.01	30211901
UNSPSC 7.0901	39121501
UNSPSC 11	39121501
UNSPSC 12.01	39121501
UNSPSC 13.2	39121501
UNSPSC 18.0	39122205
UNSPSC 19.0	39122205
UNSPSC 20.0	39122205
UNSPSC 21.0	39122205

Approvals

Approvals

Approvals

Functional Safety / UL Listed / cUL Listed / Functional Safety / EAC / cULus Listed

Ex Approvals

Approval details


Functional Safety		968/EZ 366.03/20
-------------------	--	------------------

UL Listed		http://database.ul.com/cgi-bin/XYV/template/LISEXT/1FRAME/index.htm	FILE E 140324
-----------	--	-------------------------------------------------------------------------------------------------------------------------------------------------------	---------------

cUL Listed		http://database.ul.com/cgi-bin/XYV/template/LISEXT/1FRAME/index.htm	FILE E 140324
------------	--	-------------------------------------------------------------------------------------------------------------------------------------------------------	---------------

Extension module - PSR-SCP- 24DC/URD3/4X1/2X2 - 2981512

Approvals

Functional Safety		968/EZ 366.03/20
-------------------	-----------------------------------------------------------------------------------	------------------

EAC		RU C- DE.A*30.B.01082
-----	-----------------------------------------------------------------------------------	--------------------------

cULus Listed		
--------------	-----------------------------------------------------------------------------------	--

Accessories

Accessories

DIN rail connector

DIN rail bus connectors - PSR-TBUS - 2890425



DIN rail connector for safety switching devices, for supplying/controlling/monitoring (depending on the module)

DIN rail bus connectors - PSR-TBUS-TP - 2981716



Blind plug for the PSR-TBUS DIN rail connector used with the modular safety relay system (PSR-SDC4)

Phoenix Contact 2020 © - all rights reserved
<http://www.phoenixcontact.com>

PHOENIX CONTACT GmbH & Co. KG
Flachsmarktstr. 8
32825 Blomberg
Germany
Tel. +49 5235 300
Fax +49 5235 3 41200
<http://www.phoenixcontact.com>

X-ON Electronics

Largest Supplier of Electrical and Electronic Components

Click to view similar products for [Safety Relays](#) category:

Click to view products by [Phoenix Contact](#) manufacturer:

Other Similar products are found below :

[7-1618103-5](#) [1351-1X](#) [1618082-4](#) [1618111-1](#) [C200HDA003](#) [C200HMR432](#) [C200HMR832](#) [C200HMR833](#) [C28PEDRA](#) [20-050-36X](#)
[C500ETL01](#) [C500OD415CN](#) [2-1618068-0](#) [9-1618103-2](#) [SP10-ETL01](#) [22-060X](#) [C200HNC112](#) [C200HOD214](#) [C500CN812N](#) [4NK0AQY](#)
[1100X](#) [1100-42X](#) [V23050A1012A551](#) [6-1618082-4](#) [7-1618103-6](#) [WTD-101X](#) [SP16DRD](#) [SP16DRA](#) [C500-CE243](#) [C500-IDS02-V1](#)
[607.5111.020](#) [DOLD 48173](#) [CS AR-02V024](#) [CS AR-22V024](#) [CS AR-22V230](#) [CS AR-46V024](#) [750136](#) [PSR-MS21-1NO-1DO-24DC-SC](#)
[600PSR-165/300-CU](#) [SR6V6K18](#) [SR4M4005](#) [BPS 36-1](#) [BP34 - 101057553](#) [2TLA010033R3000](#) [2TLA010033R2000](#) [2TLA010033R0000](#)
[2TLA010028R1000](#) [2TLA010017R0100](#) [2TLA010026R0400](#) [SCR 2-W22-2.5](#)