

Extension module - PSR-SPP- 24DC/URM4/4X1/2X2/B - 2981680

Please be informed that the data shown in this PDF Document is generated from our Online Catalog. Please find the complete data in the user's documentation. Our General Terms of Use for Downloads are valid (<http://phoenixcontact.com/download>)



Single-channel contact extension with TBUS interface, 4 N/O contacts, 1 N/C contact, 1 confirmation current path, undelayed, Cat. 4, PL e in accordance with EN ISO 13849, width: 22.5 mm, pluggable Push-in terminal block


The figure shows a version with a screw connection

Your advantages

- 4 enabling current paths, 1 signaling current path, and 1 confirmation current path
- Single and two-channel control
- Up to Cat. 4/PL e according to ISO 13849-1, SILCL 3 according to IEC 62061, SIL 3 according to IEC 61508



Key Commercial Data

| | |
|--------------|---|
| Packing unit | 1 pc |
| GTIN |  4 046356 081542 |
| GTIN | 4046356081542 |

Technical data

Note

| | |
|-------------------------|---|
| Utilization restriction | EMC: class A product, see manufacturer's declaration in the download area |
|-------------------------|---|

Dimensions

| | |
|--------|----------|
| Width | 22.5 mm |
| Height | 112 mm |
| Depth | 114.5 mm |

Ambient conditions

| | |
|--|---|
| Ambient temperature (operation) | -20 °C ... 55 °C |
| Ambient temperature (storage/transport) | -40 °C ... 70 °C |
| Max. permissible relative humidity (operation) | 75 % (on average, 85% infrequently, non-condensing) |
| Max. permissible humidity (storage/transport) | 75 % (on average, 85% infrequently, non-condensing) |

Extension module - PSR-SPP- 24DC/URM4/4X1/2X2/B - 2981680

Technical data

Ambient conditions

| | |
|------------------|-------------------------------|
| Maximum altitude | max. 2000 m (Above sea level) |
|------------------|-------------------------------|

Input data

| | |
|---|-----------------------------------|
| Nominal input voltage U_N | 24 V DC |
| Input voltage range in reference to U_N | 0.9 ... 1.1 |
| Typical input current at U_N | 42 mA |
| Typical response time | 10 ms |
| Typical release time | 10 ms |
| Recovery time | 1 s |
| Status display | Green LED |
| Protective circuit | Surge protection Suppressor diode |

Output data

| | |
|---|--|
| Contact type | 4 enabling current paths |
| | 1 signaling current path |
| | 1 confirmation current path |
| Contact material | AgSnO ₂ |
| Maximum switching voltage | 250 V AC/DC |
| Minimum switching voltage | 15 V AC/DC |
| Limiting continuous current | 6 A (N/O contact, DC1/AC1) |
| | 3 A (N/C contact) |
| Maximum inrush current | 6 A (N/O contact, DC1/AC1) |
| | 3 A (N/C contact) |
| Inrush current, minimum | 25 mA |
| Sq. Total current | $72 A^2 (I_{TH}^2 = I_1^2 + I_2^2 + I_3^2 + I_4^2)$ |
| Interrupting rating (ohmic load) max. | 144 W (24 V DC, $\tau = 0$ ms, N/C contact 61/62: 72 W) |
| | 288 W (48 V DC, $\tau = 0$ ms, N/C contact 61/62: 144 W) |
| | 77 W (110 V DC, $\tau = 0$ ms) |
| | 88 W (220 V DC, $\tau = 0$ ms) |
| | 1500 VA (250 V AC, $\tau = 0$ ms, N/C contact 61/62: 750 VA) |
| Maximum interrupting rating (inductive load) | 48 W (24 V DC, $\tau = 40$ ms) |
| | 40 W (48 V DC, $\tau = 40$ ms) |
| | 35 W (110 V DC, $\tau = 40$ ms) |
| | 33 W (220 V DC, $\tau = 40$ ms) |
| Switching capacity min. | 0.4 W |
| Mechanical service life | approx. 10^7 cycles |
| Switching capacity (360/h cycles) | 6 A (24 V DC) |
| | 5 A (230 V AC) |
| Switching capacity according to IEC 60947-5-1 | 5 A (DC13) |
| | 5 A (AC15) |
| Output fuse | 10 A gL/gG NEOZED (N/O contact) |

Extension module - PSR-SPP- 24DC/URM4/4X1/2X2/B - 2981680

Technical data

Output data

| | |
|--|--------------------------------|
| | 4 A gL/gG NEOZED (N/C contact) |
|--|--------------------------------|

General

| | |
|---|--|
| Relay type | Electromechanical relay with force-guided contacts in accordance with IEC/EN 61810-3 |
| Nominal operating mode | 100% operating factor |
| Net weight | 196.5 g |
| Mounting position | any |
| Mounting type | DIN rail mounting |
| Degree of protection | IP20 |
| Min. degree of protection of inst. location | IP54 |
| Housing color | yellow |

Connection data

| | |
|--|--|
| Connection method | Push-in connection |
| pluggable | Yes |
| Conductor cross section solid | 0.2 mm ² ... 1.5 mm ² |
| Conductor cross section flexible | 0.2 mm ² ... 1.5 mm ² |
| Conductor cross-section AWG | 24 ... 16 |
| Conductor cross-section flexible with ferrule without plastic sleeve | 0.25 mm ² ... 1.5 mm ² (only together with CRIMPFOX 6) |
| Conductor cross-section flexible with ferrule and plastic sleeve | 0.25 mm ² ... 1.5 mm ² (only together with CRIMPFOX 6) |
| Stripping length | 8 mm |

Safety-related characteristic data

| | |
|---|--|
| Stop category | 0 |
| Designation | IEC 61508 - High demand |
| Safety Integrity Level (SIL) | 3 (In conjunction with suitable evaluating device) |
| Designation | IEC 61508 - Low demand |
| Safety Integrity Level (SIL) | 3 (In conjunction with suitable evaluating device) |
| Designation | EN ISO 13849 |
| Performance level (PL) | e (In conjunction with suitable evaluating device) |
| Category | 4 (In conjunction with suitable evaluating device) |
| Designation | EN 62061 |
| Safety Integrity Level Claim Limit (SIL CL) | 3 (In conjunction with suitable evaluating device) |

Standards and Regulations

| | |
|--------------------------------|--|
| Designation | Air clearances and creepage distances between the power circuits |
| Standards/regulations | IEC 60947-1 |
| Rated insulation voltage | 250 V |
| Rated surge voltage/insulation | 4 kV / basic isolation (safe isolation, reinforced insulation and 6 kV between input circuit/N/C contacts and enabling current paths). |
| Degree of pollution | 2 |
| Overvoltage category | III |

Extension module - PSR-SPP- 24DC/URM4/4X1/2X2/B - 2981680

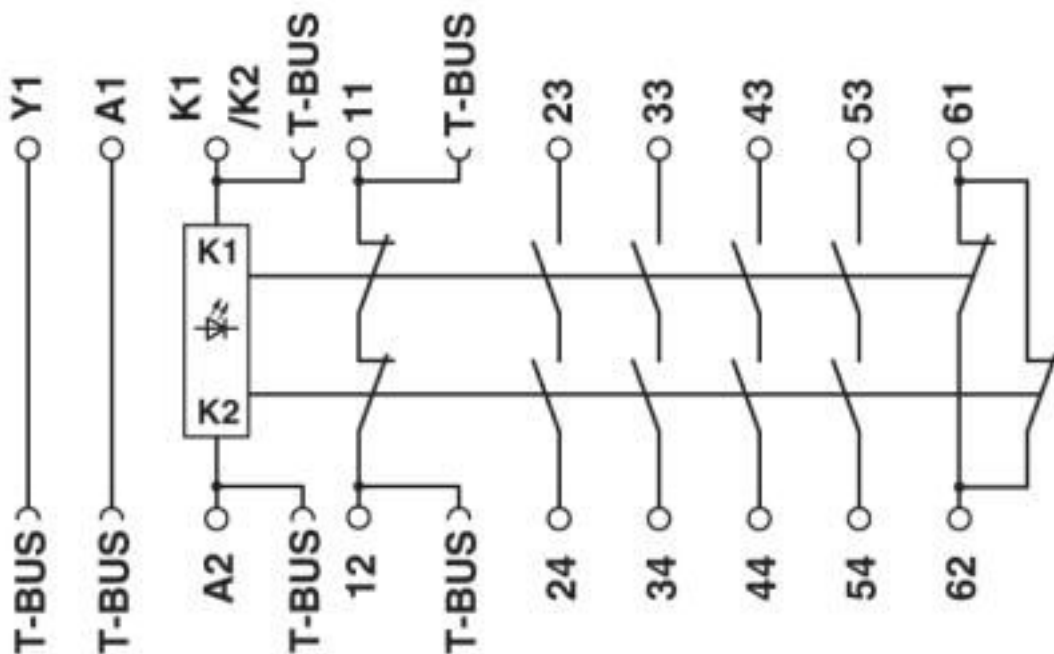
Technical data

Environmental Product Compliance

| | |
|------------|---|
| REACH SVHC | Lead 7439-92-1 |
| China RoHS | Environmentally Friendly Use Period = 50 years |
| | For details about hazardous substances go to tab "Downloads", Category "Manufacturer's declaration" |

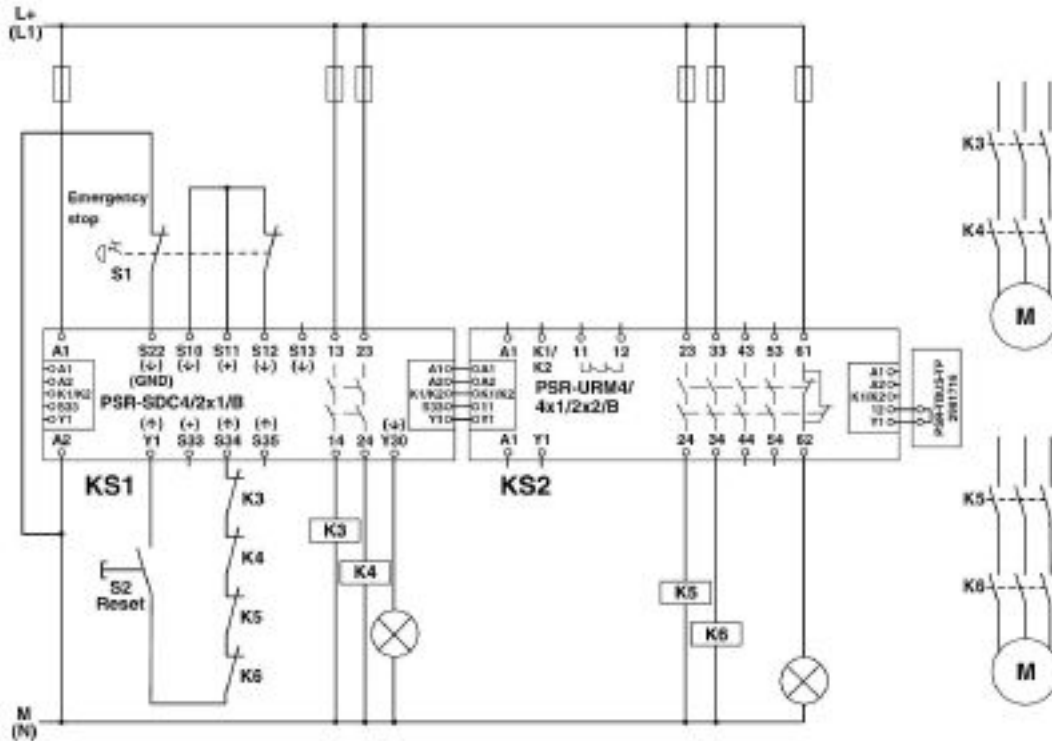
Drawings

Circuit diagram



Extension module - PSR-SPP- 24DC/URM4/4X1/2X2/B - 2981680

Circuit diagram



Two-channel emergency stop monitoring with contact extension

Classifications

eCl@ss

| | |
|---------------|----------|
| eCl@ss 10.0.1 | 27371819 |
| eCl@ss 4.0 | 40020600 |
| eCl@ss 4.1 | 40020600 |
| eCl@ss 5.0 | 27371900 |
| eCl@ss 5.1 | 27371900 |
| eCl@ss 6.0 | 27371800 |
| eCl@ss 7.0 | 27371819 |
| eCl@ss 8.0 | 27371819 |
| eCl@ss 9.0 | 27371819 |

ETIM

| | |
|----------|----------|
| ETIM 2.0 | EC001449 |
| ETIM 3.0 | EC001449 |
| ETIM 4.0 | EC001449 |
| ETIM 5.0 | EC001449 |
| ETIM 6.0 | EC001449 |
| ETIM 7.0 | EC001449 |

Extension module - PSR-SPP- 24DC/URM4/4X1/2X2/B - 2981680

Classifications

UNSPSC

| | |
|---------------|----------|
| UNSPSC 6.01 | 30211901 |
| UNSPSC 7.0901 | 39121501 |
| UNSPSC 11 | 39121501 |
| UNSPSC 12.01 | 39121501 |
| UNSPSC 13.2 | 39121501 |
| UNSPSC 18.0 | 39122205 |
| UNSPSC 19.0 | 39122205 |
| UNSPSC 20.0 | 39122205 |
| UNSPSC 21.0 | 39122205 |

Approvals

Approvals

Approvals

UL Listed / cUL Listed / EAC / cULus Listed

Ex Approvals

Approval details

| | | | |
|-----------|--|---|---------------|
| UL Listed | | http://database.ul.com/cgi-bin/XYV/template/LISEXT/1FRAME/index.htm | FILE E 140324 |
|-----------|--|---|---------------|

| | | | |
|------------|--|---|---------------|
| cUL Listed | | http://database.ul.com/cgi-bin/XYV/template/LISEXT/1FRAME/index.htm | FILE E 140324 |
|------------|--|---|---------------|

| | | |
|-----|--|--------------------------|
| EAC | | RU C- DE.A*30.B.01082 |
|-----|--|--------------------------|

| | |
|--------------|--|
| cULus Listed | |
|--------------|--|

Accessories

Accessories

Extension module - PSR-SPP- 24DC/URM4/4X1/2X2/B - 2981680

Accessories

DIN rail connector

DIN rail bus connectors - PSR-TBUS - 2890425



DIN rail connector for safety switching devices, for supplying/controlling/monitoring (depending on the module)

DIN rail bus connectors - PSR-TBUS-TP - 2981716



Blind plug for the PSR-TBUS DIN rail connector used with the modular safety relay system (PSR-SDC4)

Phoenix Contact 2020 © - all rights reserved
<http://www.phoenixcontact.com>

PHOENIX CONTACT GmbH & Co. KG
Flachsmarktstr. 8
32825 Blomberg
Germany
Tel. +49 5235 300
Fax +49 5235 3 41200
<http://www.phoenixcontact.com>

X-ON Electronics

Largest Supplier of Electrical and Electronic Components

Click to view similar products for [Safety Relays](#) category:

Click to view products by [Phoenix Contact](#) manufacturer:

Other Similar products are found below :

[7-1618103-5](#) [1351-1X](#) [1618082-4](#) [1618111-1](#) [C200HDA003](#) [C200HMR432](#) [C200HMR832](#) [C200HMR833](#) [C28PEDRA](#) [20-050-36X](#)
[C500ETL01](#) [C500OD415CN](#) [2-1618068-0](#) [9-1618103-2](#) [SP10-ETL01](#) [22-060X](#) [C200HNC112](#) [C200HOD214](#) [C500CN812N](#) [4NK0AQY](#)
[1100X](#) [1100-42X](#) [V23050A1012A551](#) [6-1618082-4](#) [7-1618103-6](#) [WTD-101X](#) [SP16DRD](#) [SP16DRA](#) [C500-CE243](#) [C500-IDS02-V1](#)
[607.5111.020](#) [DOLD 48173](#) [CS AR-02V024](#) [CS AR-22V024](#) [CS AR-22V230](#) [CS AR-46V024](#) [750136](#) [PSR-MS21-1NO-1DO-24DC-SC](#)
[600PSR-165/300-CU](#) [SR6V6K18](#) [SR4M4005](#) [BPS 36-1](#) [BP34 - 101057553](#) [2TLA010033R3000](#) [2TLA010033R2000](#) [2TLA010033R0000](#)
[2TLA010028R1000](#) [2TLA010017R0100](#) [2TLA010026R0400](#) [SCR 2-W22-2.5](#)