

DIN rail bus connectors - PSR-TBUS-TP - 2981716

Please be informed that the data shown in this PDF Document is generated from our Online Catalog. Please find the complete data in the user's documentation. Our General Terms of Use for Downloads are valid (<http://phoenixcontact.com/download>)

Blind plug for the PSR-TBUS DIN rail connector used with the modular safety relay system (PSR-SDC4)




Your advantages

- Connector plugs for TBUS system



Key Commercial Data

| | |
|--------------|---|
| Packing unit | 50 pc |
| GTIN |  4 046356 099820 |
| GTIN | 4046356099820 |

Technical data

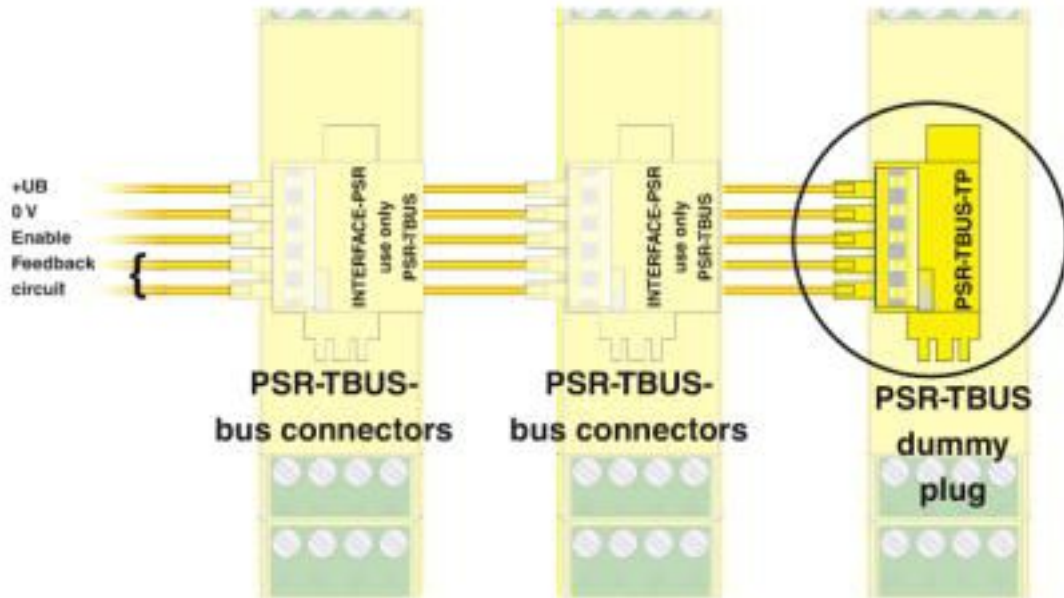
Environmental Product Compliance

| | |
|------------|---|
| China RoHS | Environmentally friendly use period: unlimited = EFUP-e |
| | No hazardous substances above threshold values |

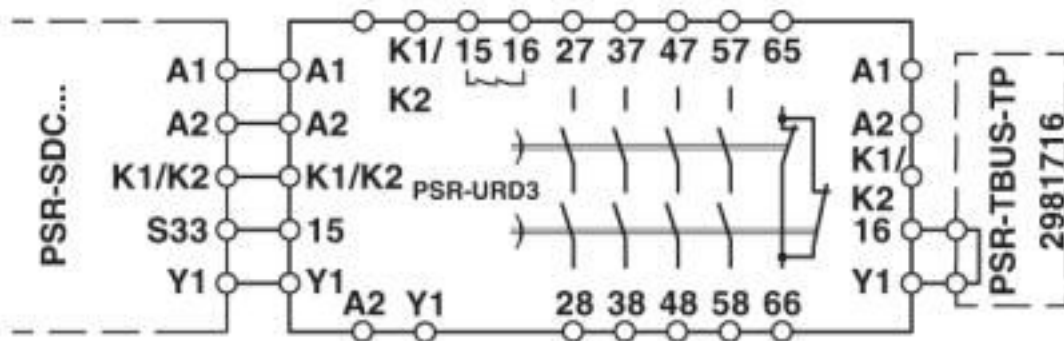
Drawings

DIN rail bus connectors - PSR-TBUS-TP - 2981716

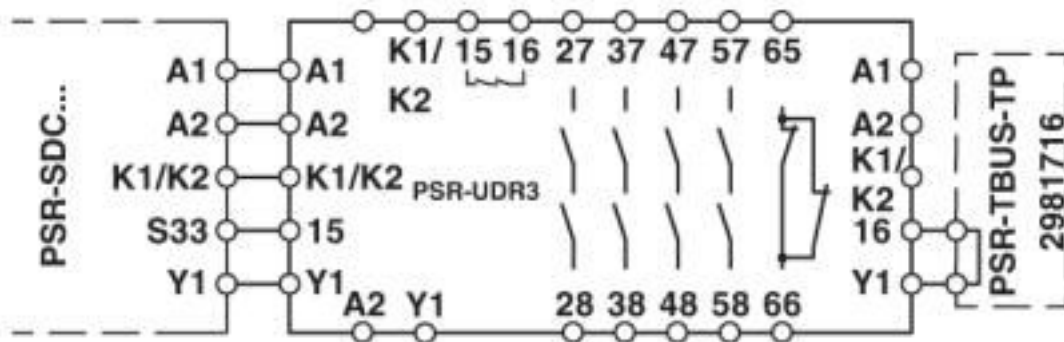
Connection diagram



Circuit diagram



Circuit diagram



DIN rail bus connectors - PSR-TBUS-TP - 2981716

Classifications

eCl@ss

| | |
|---------------|----------|
| eCl@ss 10.0.1 | 27240692 |
| eCl@ss 4.0 | 40020600 |
| eCl@ss 4.1 | 40020600 |
| eCl@ss 5.0 | 27371900 |
| eCl@ss 5.1 | 27371900 |
| eCl@ss 6.0 | 27249200 |
| eCl@ss 7.0 | 27249290 |
| eCl@ss 8.0 | 27249290 |
| eCl@ss 9.0 | 27240692 |

ETIM

| | |
|----------|----------|
| ETIM 2.0 | EC001449 |
| ETIM 3.0 | EC001449 |
| ETIM 4.0 | EC001449 |
| ETIM 5.0 | EC002584 |
| ETIM 6.0 | EC002584 |
| ETIM 7.0 | EC002584 |

UNSPSC

| | |
|---------------|----------|
| UNSPSC 6.01 | 30211901 |
| UNSPSC 7.0901 | 39121501 |
| UNSPSC 11 | 39121501 |
| UNSPSC 12.01 | 39121501 |
| UNSPSC 13.2 | 39121552 |
| UNSPSC 18.0 | 39121552 |
| UNSPSC 19.0 | 39121552 |
| UNSPSC 20.0 | 39121552 |
| UNSPSC 21.0 | 39121552 |

Approvals

Approvals

Approvals

EAC

Ex Approvals

Approval details

DIN rail bus connectors - PSR-TBUS-TP - 2981716

Approvals

EAC



B.01742

Phoenix Contact 2020 © - all rights reserved
<http://www.phoenixcontact.com>

PHOENIX CONTACT GmbH & Co. KG
Flachsmarktstr. 8
32825 Blomberg
Germany
Tel. +49 5235 300
Fax +49 5235 3 41200
<http://www.phoenixcontact.com>

X-ON Electronics

Largest Supplier of Electrical and Electronic Components

Click to view similar products for [Relay Sockets & Fixings](#) category:

Click to view products by [Phoenix Contact](#) manufacturer:

Other Similar products are found below :

[00008258500](#) [00111976502](#) [0000-825-81-00](#) [60SY4S05](#) [M41G](#) [670-0125](#) [670-0127](#) [6700152](#) [670-0153](#) [6700156](#) [D258-2TS00](#) [70-309](#) [7-1393143-3](#) [7-1616360-5](#) [8000-DG2-5](#) [911361](#) [9-1616339-5](#) [PJF11N](#) [GDA12HA](#) [GDA12HD](#) [GDA12SA](#) [GDA12SD](#) [GDA16HD](#) [GDA22HA](#) [GDA95A](#) [GDA95D](#) [GFX20](#) [PT08QN](#) [PT 1/8 D = 3.2](#) [GUA1](#) [GUA2-11](#) [GUA4-04](#) [GUA4-31](#) [GUM5R](#) [GUR-120](#) [GUR-24](#) [GUR-240](#) [GUR-277](#) [GURX-277](#) [GUW12](#) [GUW95](#) [GUZ63L](#) [R99-11 FOR MY\(NAMEPLATE\)](#) [D52PR2T](#) [RES100K](#) [1310H-HDC](#) [1390H-1ST](#) [1393824-3](#) [1390H-2PC](#) [1410-2SM](#)