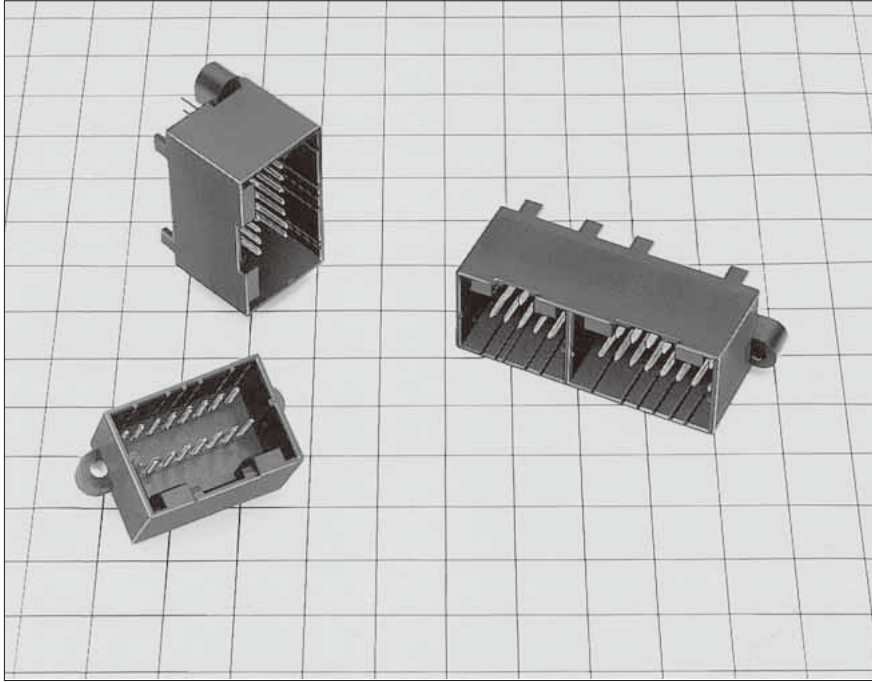


GT3 Series



■ Features

- Available in a low-profile (GT3) and a standard (GT3B) type.
- Tab width is size 040.

GT5

GT13

GT16

PO5G

GT19

GT21

GT26

GT36

GT11

GT17

GT32

GT3

GT7

GT10

GT18W

GT25

GT8E

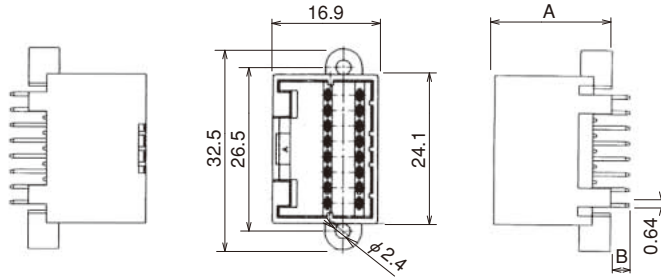
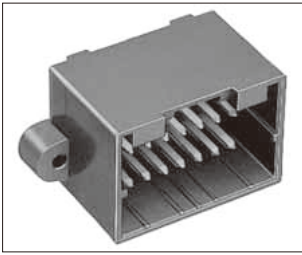
GT9

GT15

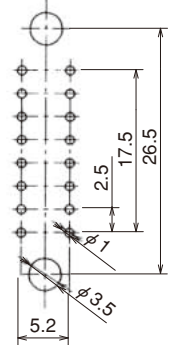
M Connectors

● Board mounting type

16 Pos.

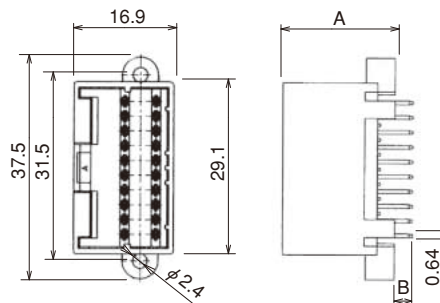
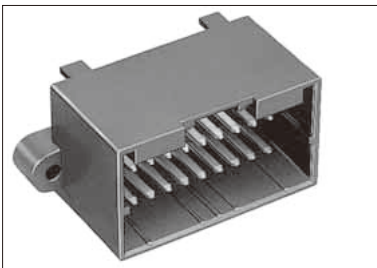


◆ Recommended PCB pattern

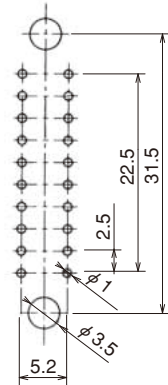


Part No.	HRS No.	Material/Plating or Color	A Dimension	B Dimension	Packaging	RoHS
GT3-16DP-2.5DSA(70)	753-0001-6 70	Housing : PBT/Black Terminal : Brass/Tin plating	17	5	1	YES
GT3B-16DP-2.5DSA(70)	753-0003-1 70		19	3		

20 Pos.



◆ Recommended PCB pattern



Part No.	HRS No.	Material/Plating or Color	A Dimension	B Dimension	Packaging	RoHS
GT3-20DP-2.5DSA(70)	753-0002-9 70	Housing : PBT/Black Terminal : Brass/Tin plating	17	5	1	YES
GT3B-20DP-2.5DSA(70)	753-0004-4 70		19	3		

GT5

GT13

GT16

PO5G

GT19

GT21

GT26

GT36

GT11

GT17

GT32

GT3

GT7

GT10

GT18W

GT25

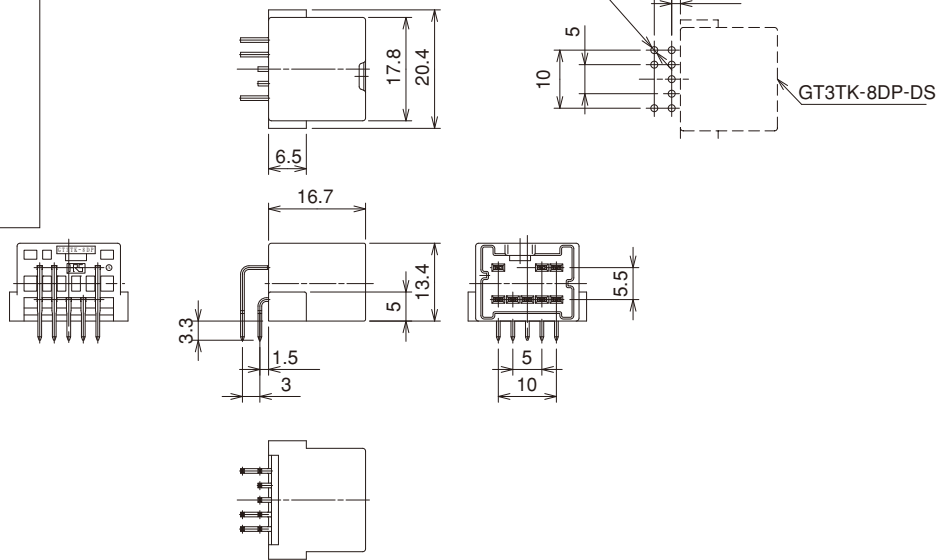
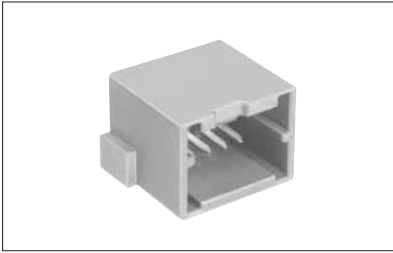
GT8E

GT9

GT15

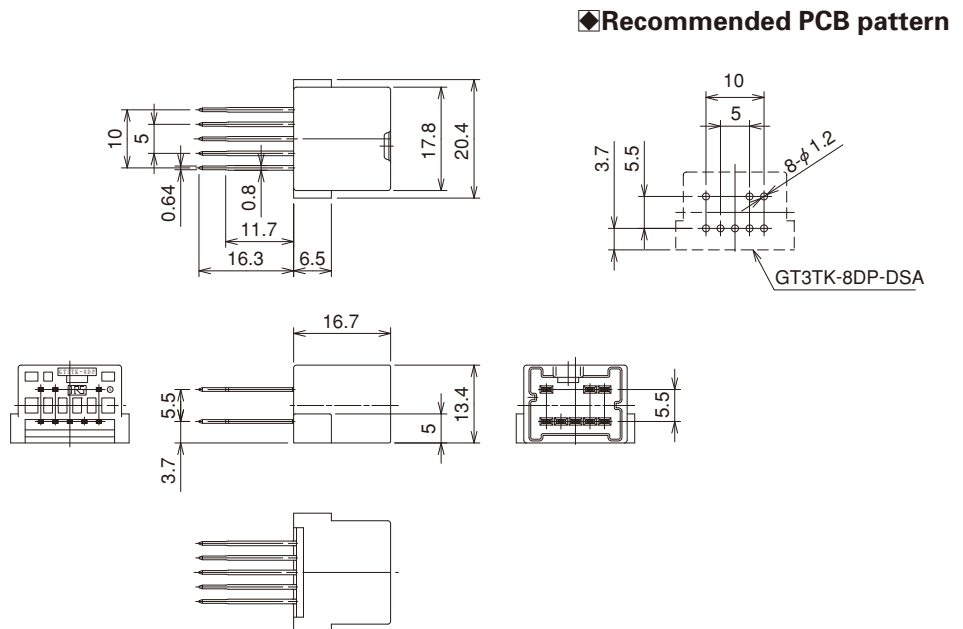
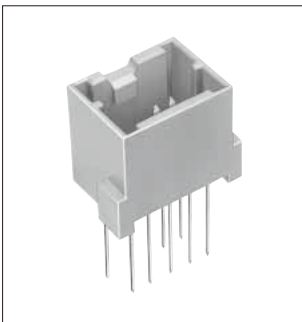
● Board mounting type

8-Pos. Right Angle



Part No.	HRS No.	Material/Plating or Color	Packaging	RoHS
GT3TK-8DP-DS	753-0007-2	Housing : PBT/Brown Terminal : Brass/Tin plating	1	YES

8-Pos. Straight



Part No.	HRS No.	Material/Plating or Color	Packaging	RoHS
GT3TK-8DP-DSA	753-0018-9	Housing : PBT/Brown Terminal : Brass/Tin plating	1	YES

GT5

GT13

GT16

PO5G

GT19

GT21

GT26

GT36

GT11

GT17

GT32

GT3

GT7

GT10

GT18W

GT25

GT8E

GT9

GT15

Sep. 1, 2021 Copyright © 2021 HIROSE ELECTRIC CO., LTD. All Rights Reserved.

GT5

GT13

GT16

PO5G

GT19

GT21

GT26

GT36

GT11

GT17

GT32

GT3

GT7

GT10

GT18W

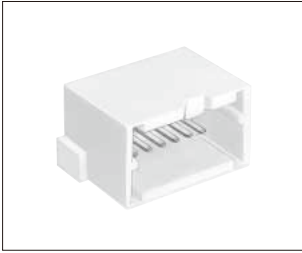
GT25

GT8E

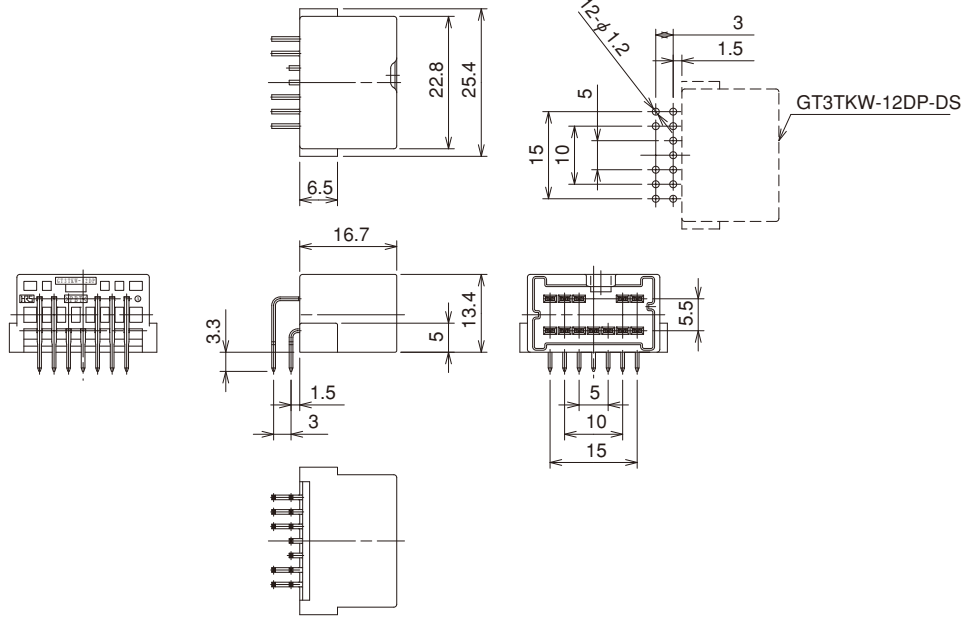
GT9

GT15

12-Pos. Right Angle

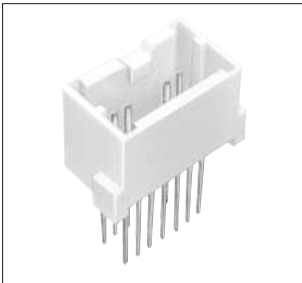


◆ Recommended PCB pattern

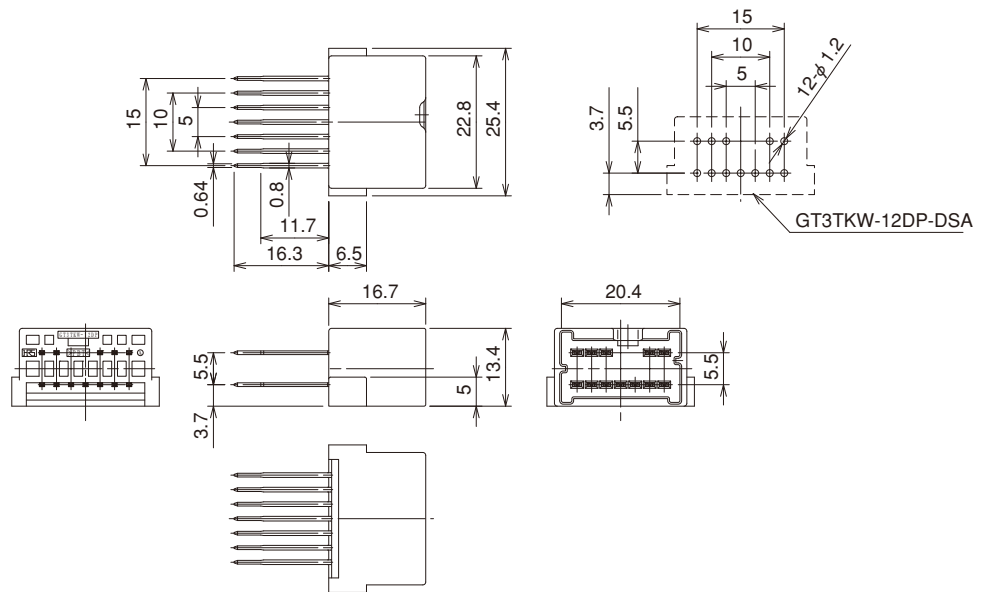


Part No.	HRS No.	Material/Plating or Color	Packaging	RoHS
GT3TKW-12DP-DS	753-0010-7	Housing : PBT/Natural Terminal : Brass/Tin plating	1	YES

12-Pos. Straight

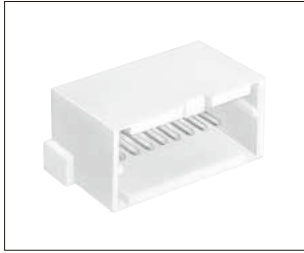


◆ Recommended PCB pattern

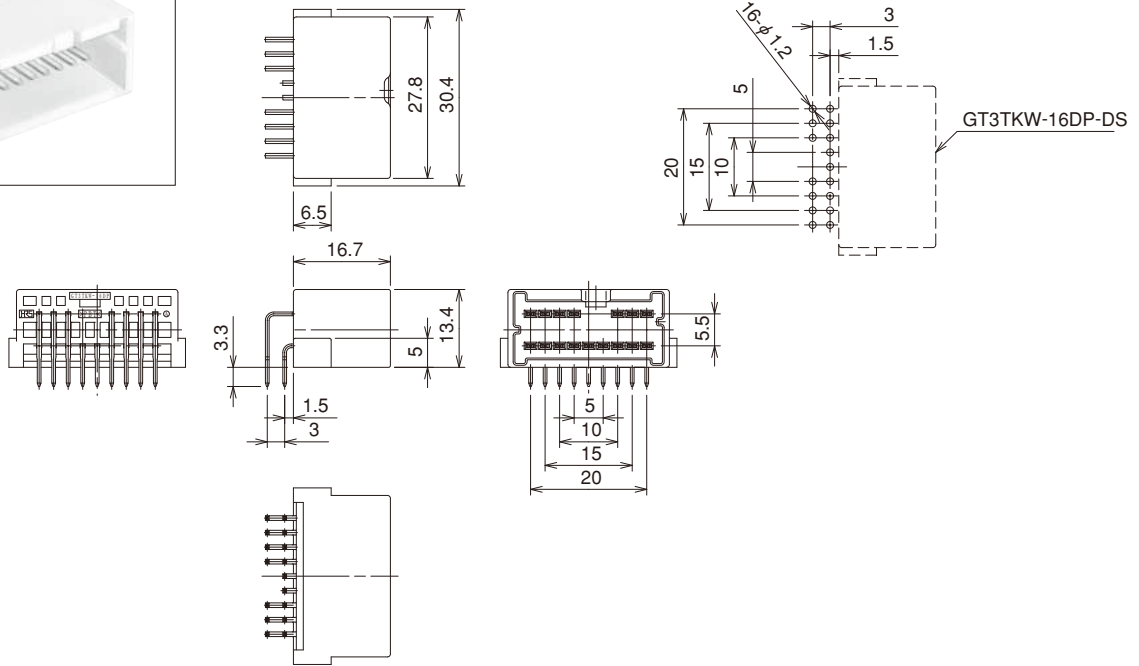


Part No.	HRS No.	Material/Plating or Color	Packaging	RoHS
GT3TKW-12DP-DSA	753-0015-0	Housing : PBT/Natural Terminal : Brass/Tin plating	1	YES

16-Pos. Right Angle

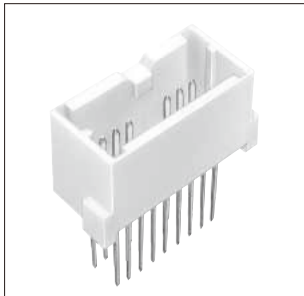


◆Recommended PCB pattern

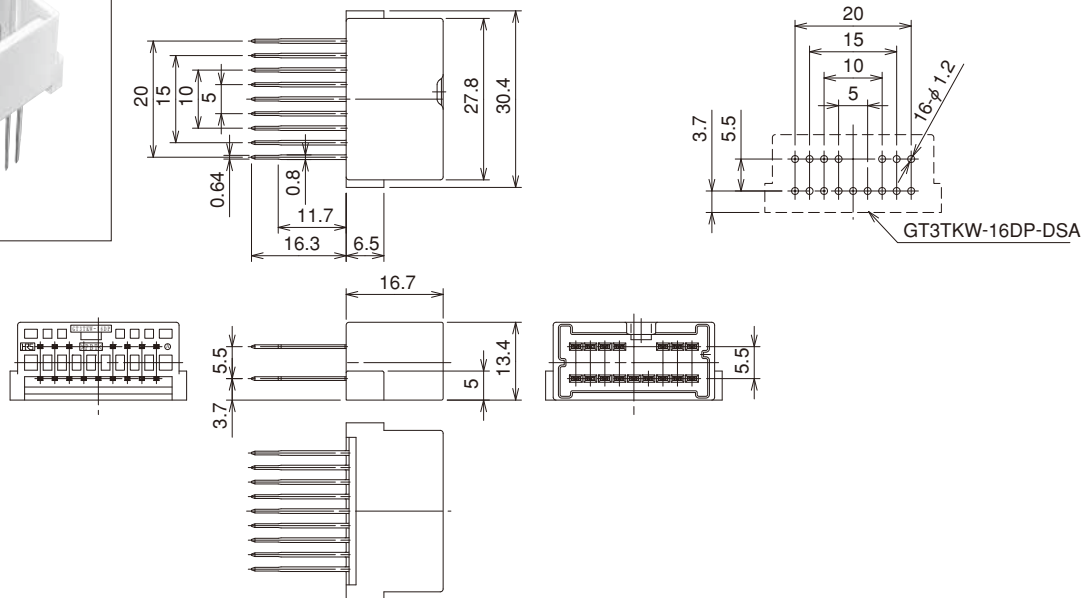


Part No.	HRS No.	Material/Plating or Color	Packaging	RoHS
GT3TKW-16DP-DS	753-0011-0	Housing : PBT/Natural Terminal : Brass/Tin plating	1	YES

16-Pos. Straight

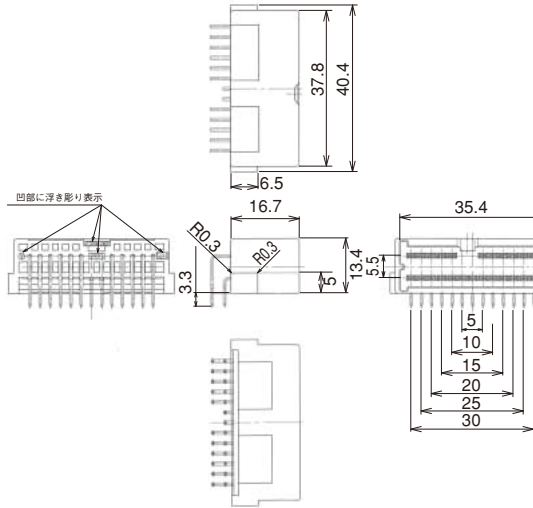
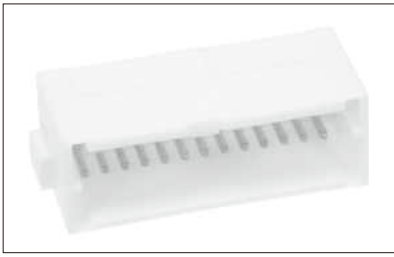


◆Recommended PCB pattern

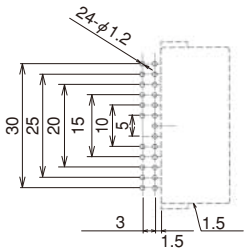


Part No.	HRS No.	Material/Plating or Color	Packaging	RoHS
GT3TKW-16DP-DSA	753-0012-2	Housing : PBT/Natural Terminal : Brass/Tin plating	1	YES

24-Pos. Right Angle

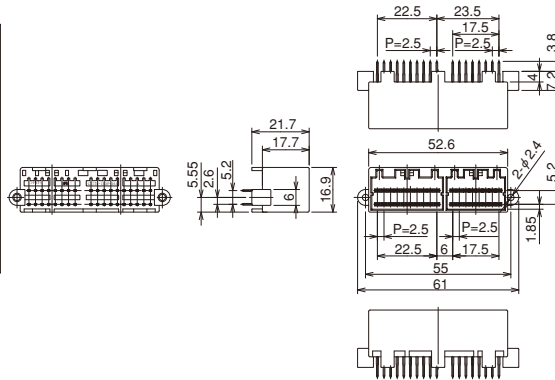
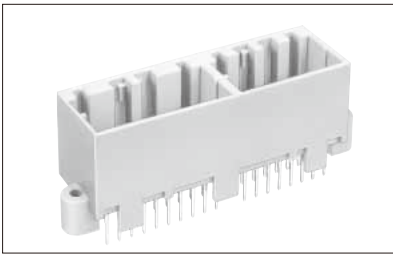


◆ Recommended PCB pattern

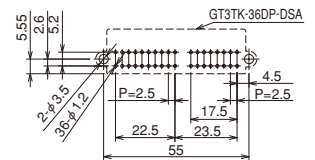


Part No.	HRS No.	Material/Plating or Color	Packaging	RoHS
GT3TKW-24DP-DS	753-0019-1	Housing : PBT/Natural Terminal : Brass/Tin plating	1	YES

36-Pos. Straight



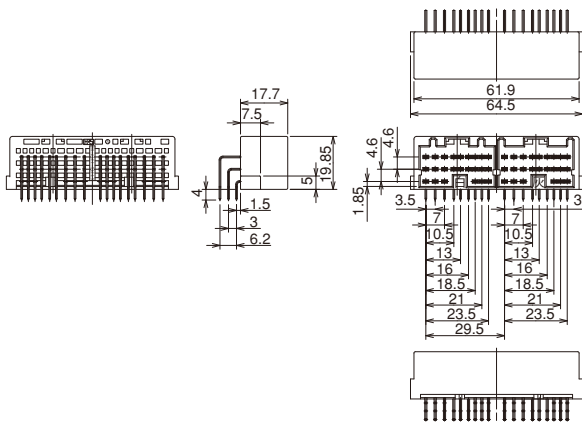
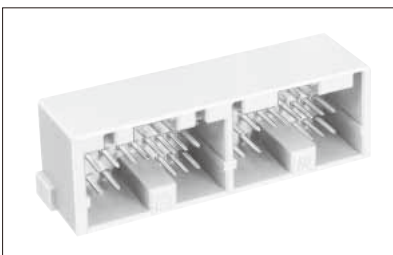
◆ Recommended PCB pattern



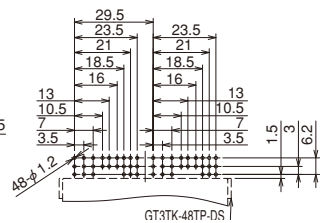
Part No.	HRS No.	Material/Plating or Color	Packaging	RoHS
GT3TK-36DP-DSA	753-0017-6	Housing : PBT/Light Gray Terminal : Brass	1	YES

Note: Use mounting screws of M3 with nominal diameter 3L-8.

48-Pos. Right Angle



◆ Recommended PCB pattern



Part No.	HRS No.	Material/Plating or Color	Packaging	RoHS
GT3TK-48TP-DS	753-0008-5	Housing : PBT/Light Gray Terminal : Brass	1	YES

Sep. 1, 2021 Copyright © 2021 HIROSE ELECTRIC CO., LTD. All Rights Reserved.

Interface Connector

GT5

GT13

GT16

PO5G

GT19

GT21

GT26

GT36

GT11

GT17

GT32

GT3

GT7

GT10

GT18W

GT25

GT8E

GT9

GT15

X-ON Electronics

Largest Supplier of Electrical and Electronic Components

Click to view similar products for [Automotive Connectors](#) category:

Click to view products by [Phoenix Contact](#) manufacturer:

Other Similar products are found below :

[003-018-000](#) [60403001](#) [60993906-B](#) [M902-2131](#) [M902-2161](#) [72.330.1035.1](#) [73.353.4028.0](#) [F119300-B](#) [F166900](#) [F258300-B](#) [F358300-B](#)
[F407400](#) [F444110](#) [F487000](#) [F509500B-B](#) [827153-1](#) [8N1515-32-24P](#) [9-1326729-8](#) [925474-1](#) [928905-1](#) [964562-4](#) [968782-1](#) [GT17SA-8DS-](#)
[HU](#) [98891-1012](#) [98947-1016](#) [12004475-L](#) [12010290](#) [12010309-B](#) [12015454](#) [12020219-B](#) [12020308](#) [12041318-B](#) [12052225-L](#) [12052466](#)
[12059125](#) [12064869](#) [12004327-B](#) [12010503-B](#) [12015308](#) [12015384](#) [12015909](#) [1-21030-1](#) [12041254](#) [12041318](#) [12047946-B](#) [12047957](#)
[12047957-L](#) [12059473](#) [12066261](#) [12110546](#)