

## Terminal box - E AB A 130X80X60 12MPT - 3001999

Please be informed that the data shown in this PDF Document is generated from our Online Catalog. Please find the complete data in the user's documentation. Our General Terms of Use for Downloads are valid (<http://phoenixcontact.com/download>)



Terminal box, With 12 terminal blocks, 2.5 mm<sup>2</sup> with push-in technology, material: ABS, gray, 130 mm x 80 mm x 60 mm, type of locking: Screw-on cover

### Your advantages

- Terminal box with cover and pre-assembled terminal strip
- Fast wiring without the need for additional components

### Key Commercial Data

Packing unit	1 pc
GTIN	
GTIN	4055626083834

### Technical data

#### General

Color	gray
Flammability rating according to UL 94	UL-94 HB

#### Dimensions

Width	130 mm
Height	80 mm
Depth	60 mm

#### General

Housing material	ABS
Cover fastening	Screw-on cover
Note	Phillips-Recess
Fixing device	Screw connection in housing base
Seal material	Silicon
Type of insulation	Full protective insulation
Components	halogen-free

#### Ambient conditions

Degree of protection of housing (IP)	IP67
Protection class	II

# Terminal box - E AB A 130X80X60 12MPT - 3001999

## Technical data

### Ambient conditions

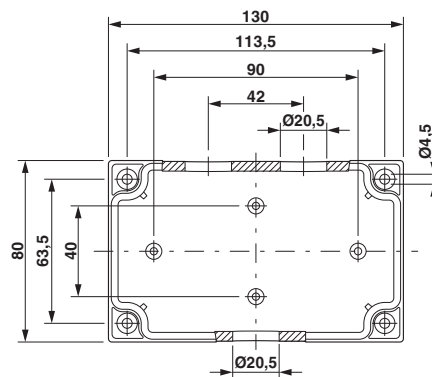
Degree of protection (IK)	2.00 J EN 62262/EN 50102
Temperature in operating conditions	-25 °C ... 60 °C

### Standards and Regulations

Standards/regulations	EN 62262/EN 50102
Flammability rating according to UL 94	UL-94 HB

## Drawings

Dimensional drawing



Phoenix Contact 2018 © - all rights reserved  
<http://www.phoenixcontact.com>

PHOENIX CONTACT GmbH & Co. KG  
Flachsmarktstr. 8  
32825 Blomberg  
Germany  
Tel. +49 5235 300  
Fax +49 5235 3 41200  
<http://www.phoenixcontact.com>

## X-ON Electronics

Largest Supplier of Electrical and Electronic Components

*Click to view similar products for [Enclosures, Boxes & Cases](#) category:*

*Click to view products by [Phoenix Contact](#) manufacturer:*

Other Similar products are found below :

[585-R-WH-PK](#) [M-10-PLATED](#) [60221-01](#) [60566-01-000](#) [HPL-9VB BATT DOOR](#) [M18-PLTD](#) [M-21-PLATED](#) [63310-01-000](#) [6711GSKT](#)  
[71884-29-028](#) [LH45-100 Black](#) [72868-510-000](#) [CNS-0000 Black](#) [72883-510-000](#) [CNS-0101 Black](#) [72906-510-000](#) [CNS-0407 Black](#) [73092-](#)  
[510-000](#) [CNM-0101 Black](#) [73105-510-000](#) [CNL-0101 Black](#) [73108-510-000](#) [CNL-0303 Black](#) [73395-510-039](#) [CNS-0006 Bone](#) [74257-510-000](#)  
[CNL-0004](#) [MDC-1183-PLAIN-ALUM](#) [MDC-1183-PTD](#) [MDC-13104-PTD](#) [MDC-321-PTD](#) [MDC-973-PTD](#) [76](#) [77153-01-028](#) [FLX6030](#)  
[83535-01-508](#) [90026-501-000](#) [PS36-200](#) [116-508](#) [120-407](#) [120-910](#) [127-908](#) [130-008](#) [1301170079](#) [1322GSKTEP](#) [1325GSKT3](#) [1434-1210](#)  
[EAS-500 \(BLACK ANO\)](#) [1804RP-RB-PK](#) [190-005](#) [2202307](#) [KAB3321 BLACK](#) [KAB3421](#) [2697466](#) [S52213](#) [2901123](#) [2901699](#) [A0645271](#)  
[A20P20](#) [2106-IR](#) [PERF-850-PLN](#)