

Terminal box - E AB A 130X80X60 12TB - 3002003

Please be informed that the data shown in this PDF Document is generated from our Online Catalog. Please find the complete data in the user's documentation. Our General Terms of Use for Downloads are valid (<http://phoenixcontact.com/download>)




Terminal box, With 12 terminal blocks, 2.5 mm² with screw connection technology, material: ABS, gray, 130 mm x 80 mm x 60 mm, type of locking: Screw-on cover

Your advantages

- ✓ Terminal box with cover and pre-assembled terminal strip
- ✓ Fast wiring without the need for additional components

Key Commercial Data

| | |
|--------------|---|
| Packing unit | 1 pc |
| GTIN |  4 055626 083865 |
| GTIN | 4055626083865 |

Technical data

General

| | |
|--|----------|
| Color | gray |
| Flammability rating according to UL 94 | UL-94 HB |

Dimensions

| | |
|--------|--------|
| Width | 130 mm |
| Height | 80 mm |
| Depth | 60 mm |

General

| | |
|--------------------|----------------------------------|
| Housing material | ABS |
| Cover fastening | Screw-on cover |
| Note | Phillips-Recess |
| Fixing device | Screw connection in housing base |
| Seal material | Silicon |
| Type of insulation | Full protective insulation |
| Components | halogen-free |

Ambient conditions

| | |
|--------------------------------------|------|
| Degree of protection of housing (IP) | IP67 |
| Protection class | II |

Terminal box - E AB A 130X80X60 12TB - 3002003

Technical data

Ambient conditions

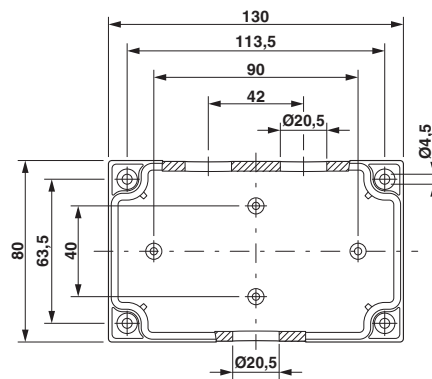
| | |
|-------------------------------------|--------------------------|
| Degree of protection (IK) | 2.00 J EN 62262/EN 50102 |
| Temperature in operating conditions | -25 °C ... 60 °C |

Standards and Regulations

| | |
|--|-------------------|
| Standards/regulations | EN 62262/EN 50102 |
| Flammability rating according to UL 94 | UL-94 HB |

Drawings

Dimensional drawing



Phoenix Contact 2018 © - all rights reserved
<http://www.phoenixcontact.com>

PHOENIX CONTACT GmbH & Co. KG
Flachsmarktstr. 8
32825 Blomberg
Germany
Tel. +49 5235 300
Fax +49 5235 3 41200
<http://www.phoenixcontact.com>

X-ON Electronics

Largest Supplier of Electrical and Electronic Components

Click to view similar products for [Terminal Block Tools & Accessories](#) category:

Click to view products by [Phoenix Contact](#) manufacturer:

Other Similar products are found below :

[00171430102](#) [00171420102](#) [600HL](#) [600RJ-07](#) [600RJ-11](#) [600RJ-14](#) [600RJS-10](#) [600RJS-12](#) [600RJS-15](#) [600RJS-21](#) [601RJ-09](#) [602SP](#) [602Z](#)
[604J](#) [CSTSPC1-2](#) [7B941-7](#) [88943-2100](#) [QC102](#) [1437403-6](#) [1437403-9](#) [1437403-8](#) [1453128-1](#) [147832-1](#) [EC0037-000](#) [MT2/H--](#) [MT6/H-N](#)
[MT6/V-GRND](#) [MT8/H-51-60](#) [BC2-12](#) [BCC-1-8/10](#) [EP2.5/4UN/BG](#) [1707755](#) [1735590](#) [1755480](#) [1789281](#) [1840227](#) [1840230](#) [2-1437402-1](#)
[JA2-03](#) [JB1-03/J](#) [JB2-04](#) [JB2-05](#) [JB2-07](#) [JB2-09/J](#) [PARALLELJUMPERLINK](#) [JS601](#) [2204082](#) [2302463](#) [2305949](#) [8PCV-BUSHING](#)