



**T-2  
MIDGET  
FLANGE BASE**  
See lamp ratings  
on page L.

# WATER-TIGHT Neon Indicators

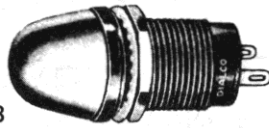
with RETAINED O-RING SEALS – TWO TERMINALS - FULLY INSULATED

WATER-TIGHT, OIL-TIGHT, DUST-TIGHT ON THE FACE OF THE PANEL

For mounting in 15/32" clearance hole

When connecting a neon light to a circuit having one side grounded, always connect the hot side of the circuit to the terminal marked + (center contact).

181-8836-0931-553



**FRONT OF PANEL INSERTION  
WITH FIXED FLANGE**  
With Built-in Resistor

**MATERIALS AND FINISHES**

**181 SERIES**

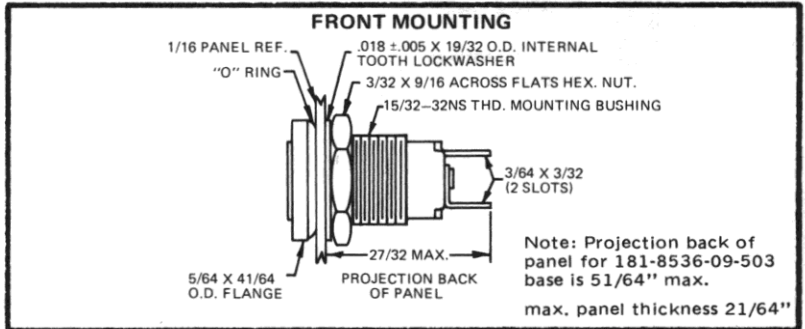
- **Mounting Bushing:** Aluminum, black anodize finish. Optional (181 series only)—clear anodize finish.
- **Internal-tooth Lockwasher and Mounting Nut:** Steel, cadmium plated with yellow iridescent chromate finish.
- **Terminals:** Brass, hot tinned, with elongated slot.
- **Lens:** High impact plastic.

How to designate the Three Digit Part Number Suffix (—XXX)

Finish	Resistor	Hardware
5 — black anodize	0 — no resistor	3 — watertight
6 — clear anodize	1 — 22K* (with NE-2J lamp)	on the face
	3 — 33K (with NE-2J lamp)	of the panel
	5 — 62K* (with NE-2D lamp)	
	7 — 100K (with NE-2D lamp)	

\*Standard value

**BASE PART NUMBER** →



181-8836-09-553 with built in 62K resistor* Accommodates C7A (NE-2D) lamp	181-8864-09-513 with built in 22K resistor* Accommodates C9A (NE-2J) lamp	181-8536-09-503 without built in resistor
--	--	--

CAP PART NUMBERS	COMPLETE ASSEMBLY PART NUMBERS		
<p><b>Stovepipe</b> 181-0931-003 transparent</p>	181-8836-0931-553	181-8864-0931-513	181-8536-0931-503

Part numbers shown in gray are normally in inventory at your Dialight Distributor.

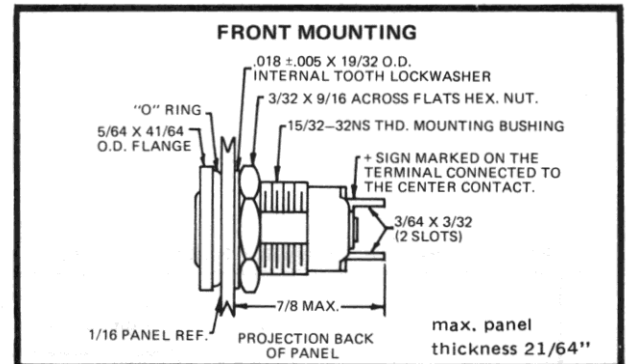
**OPL Listed**

Conform to MIL-L-3661B

**366 SERIES**



366-8836-0931-553  
LH88/1; LC33RN2



(LH 88/1) 366-8836-09-553 with built in 62K resistor accommodates C7A (NE-2D) lamp	(LH 88/2) 366-8864-09-523 with built in 27K resistor accommodates C9A (NE-2J) lamp
---	---

**Feature**

Anti-rotation (locked) construction: Provides for secure locking of the socket terminal assembly in the mounting bushing and of the center terminal to the insulating disc. The notched mounting bushing receives the matched insulating disc to prevent the rotation of the mounting bushing.

**BASE PART NUMBER** →

CAP PART NUMBERS	Type Desig.	Part No.	Lens Cap Color	COMPLETE ASSEMBLY PART NUMBERS	
	<b>Stovepipe — Non Diffusing</b>				
	LC33RN2	130-0931-003	Red	366-8836-0931-553	366-8864-0931-523
	LC33YN2	130-0933-003	Yellow (Amber)	366-8836-0933-553	366-8864-0933-523
	LC33WT2	130-0935-003	White	366-8836-0935-553	366-8864-0935-523
	LC33CN2	130-0937-003	Clear (Colorless)	366-8836-0937-553	366-8864-0937-523

Part numbers listed in this catalog designate products with RED lens. For ordering lens colors other than red, consult chart on page 4C.

Order complete with lamp to be assured of receiving the indicator light and correct lamp together for immediate use.

## **X-ON Electronics**

Largest Supplier of Electrical and Electronic Components

*Click to view similar products for [Lamp Lenses](#) category:*

*Click to view products by [Phoenix Contact](#) manufacturer:*

Other Similar products are found below :

[812-0974](#) [140-1475-003](#) [151-2900-200](#) [199-5261](#) [221-1131-203](#) [222-0113-303](#) [222-0135-203](#) [270-0121](#) [221-1132-203](#) [222-0135-303](#)  
[22872.9](#) [39-02-4A](#) [39-02-6A](#) [39-08-3A](#) [39-08-4A](#) [39-12-1A](#) [D38999/20ZA98SA](#) [359-8430-0932-502-327](#) [39-02-3A](#) [39-12-2A](#) [39-12-7B](#)  
[402-0172-100](#) [402-0175-100](#) [053-0992](#) [053-0993](#) [053-0994](#) [091-0931](#) [091-0971](#) [091-0932](#) [101-0974](#) [103-1233-403](#) [533-0001](#) [533-0601](#)  
[534-0701-537](#) [270-0212](#) [359-8430-0932-502](#) [0190535300](#) [0510113303](#) [39-06-2A](#) [199-5263](#) [241-0001-804](#) [830-1432-003](#) [39-08-7A](#) [271-0171](#) [047-2900-400](#) [39-04-4B](#) [1813/8 R14-13](#) [BF2.4/RC](#) [128-0931-003](#) [FCP-M1-XPE1-HRF](#)