

Support bracket - AB-SK 65-D - 3026900

Please be informed that the data shown in this PDF Document is generated from our Online Catalog. Please find the complete data in the user's documentation. Our General Terms of Use for Downloads are valid (<http://phoenixcontact.com/download>)

Support bracket, Bracket for busbars, set every 20 cm, length: 150 mm, width: 8.2 mm, number of positions: 2, color: gray



Your advantages

- Available in two lengths
- The double shield supports are particularly suitable for space-saving conductor connection for terminal blocks and devices with lateral cable entry
- For mounting SK shield connection clamps



Key Commercial Data

| | |
|--------------|---------------|
| Packing unit | 10 pc |
| GTIN | |
| GTIN | 4017918901851 |

Technical data

Dimensions

| | |
|------------|--------|
| Length (b) | 150 mm |
| Width (a) | 8.2 mm |

General

| | |
|--|------|
| Color | gray |
| Flammability rating according to UL 94 | V0 |
| Material | PA |
| Insulating material | PA |

Standards and Regulations

| | |
|--|----|
| Flammability rating according to UL 94 | V0 |
|--|----|

Environmental Product Compliance

| | |
|------------|---|
| China RoHS | Environmentally friendly use period: unlimited = EFUP-e |
|------------|---|

Support bracket - AB-SK 65-D - 3026900

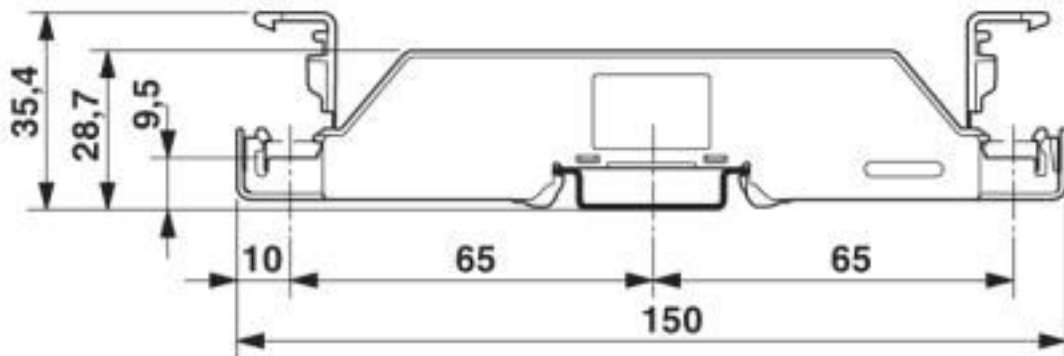
Technical data

Environmental Product Compliance

| | |
|--|--|
| | No hazardous substances above threshold values |
|--|--|

Drawings

Dimensional drawing



Classifications

eCl@ss

| | |
|---------------|----------|
| eCl@ss 10.0.1 | 27400607 |
| eCl@ss 4.0 | 23150300 |
| eCl@ss 4.1 | 23150300 |
| eCl@ss 5.0 | 27141100 |
| eCl@ss 5.1 | 27141100 |
| eCl@ss 6.0 | 27400600 |
| eCl@ss 7.0 | 27400607 |
| eCl@ss 8.0 | 27400607 |
| eCl@ss 9.0 | 27400607 |

ETIM

| | |
|----------|----------|
| ETIM 2.0 | EC000761 |
| ETIM 3.0 | EC000761 |
| ETIM 4.0 | EC002270 |
| ETIM 5.0 | EC001166 |
| ETIM 6.0 | EC001166 |
| ETIM 7.0 | EC001166 |

UNSPSC

| | |
|---------------|----------|
| UNSPSC 6.01 | 30212109 |
| UNSPSC 7.0901 | 39121708 |
| UNSPSC 11 | 39121708 |
| UNSPSC 12.01 | 39121708 |

Support bracket - AB-SK 65-D - 3026900

Classifications

UNSPSC

| | |
|-------------|----------|
| UNSPSC 13.2 | 39121708 |
| UNSPSC 18.0 | 39121708 |
| UNSPSC 19.0 | 39121708 |
| UNSPSC 20.0 | 39121708 |
| UNSPSC 21.0 | 39121708 |

Phoenix Contact 2020 © - all rights reserved
<http://www.phoenixcontact.com>

PHOENIX CONTACT GmbH & Co. KG
Flachsmarktstr. 8
32825 Blomberg
Germany
Tel. +49 5235 300
Fax +49 5235 3 41200
<http://www.phoenixcontact.com>

X-ON Electronics

Largest Supplier of Electrical and Electronic Components

Click to view similar products for [Terminal Block Tools & Accessories](#) category:

Click to view products by [Phoenix Contact](#) manufacturer:

Other Similar products are found below :

[00171430102](#) [00171420102](#) [600HL](#) [600RJ-07](#) [600RJ-11](#) [600RJ-14](#) [600RJS-10](#) [600RJS-12](#) [600RJS-15](#) [600RJS-21](#) [601RJ-09](#) [602SP](#) [602Z](#)
[604J](#) [CSTSPC1-2](#) [7B941-7](#) [88943-2100](#) [QC102](#) [1437403-6](#) [1437403-9](#) [1437403-8](#) [1453128-1](#) [147832-1](#) [EC0037-000](#) [MT2/H--](#) [MT6/H-N](#)
[MT6/V-GRND](#) [MT8/H-51-60](#) [BC2-12](#) [BCC-1-8/10](#) [EP2.5/4UN/BG](#) [1707755](#) [1735590](#) [1755480](#) [1789281](#) [1840227](#) [1840230](#) [2-1437402-1](#)
[JA2-03](#) [JB1-03/J](#) [JB2-04](#) [JB2-05](#) [JB2-07](#) [JB2-09/J](#) [PARALLELJUMPERLINK](#) [JS601](#) [2204082](#) [2302463](#) [2305949](#) [8PCV-BUSHING](#)