

Shield connection clamp - SK 14 VPE 300 - 3027941

Please be informed that the data shown in this PDF Document is generated from our Online Catalog. Please find the complete data in the user's documentation. Our General Terms of Use for Downloads are valid (<http://phoenixcontact.com/download>)




Shield connection clamp, for shield on busbars, contact resistance < 1 mΩ

Your advantages

- ✓ Easy handling
- ✓ Spring-loaded, large-surface pressure plate
- ✓ Suitable for direct and busbar mounting
- ✓ Knurled screw
- ✓ According to the requirements of the directive and standards for electrical equipment in potentially explosive areas, as components, shield connections are not eligible for certification. As such, shield connection clamps can be used in the Ex area even without appropriate approval and marking.

Key Commercial Data

Packing unit	300 pc
Minimum order quantity	300 pc
GTIN	 4 046356 285667
GTIN	4046356285667

Technical data

General

Number of levels	1
Number of connections	1
Cable diameter	3 mm ... 14 mm
Color	silver

Dimensions

Length	19.5 mm
Width	17 mm
Height	59.3 mm

Shield connection clamp - SK 14 VPE 300 - 3027941

Technical data

Connection data

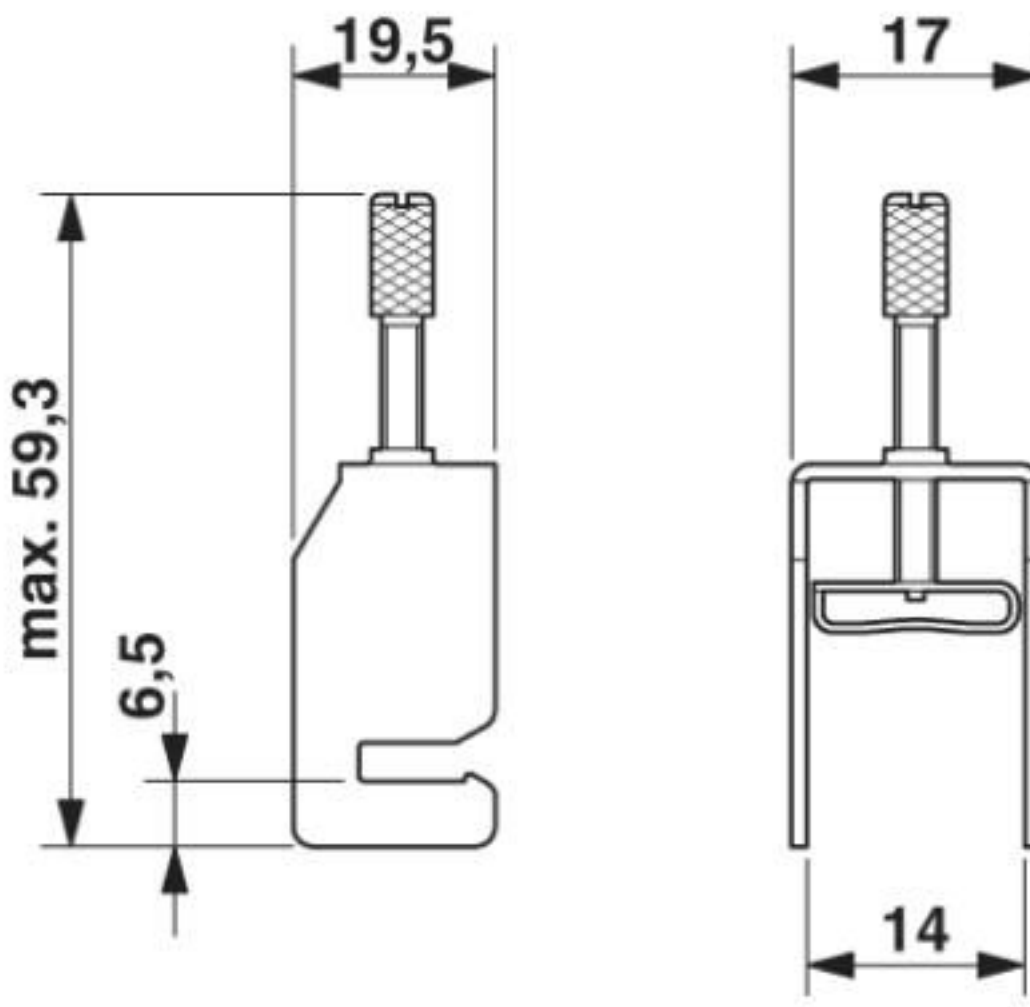
Connection method	Screw connection
Screw thread	M4
Tightening torque, min	0.8 Nm
Tightening torque max	0.8 Nm

Environmental Product Compliance

REACH SVHC	Lead 7439-92-1
China RoHS	Environmentally friendly use period: unlimited = EFUP-e
	No hazardous substances above threshold values

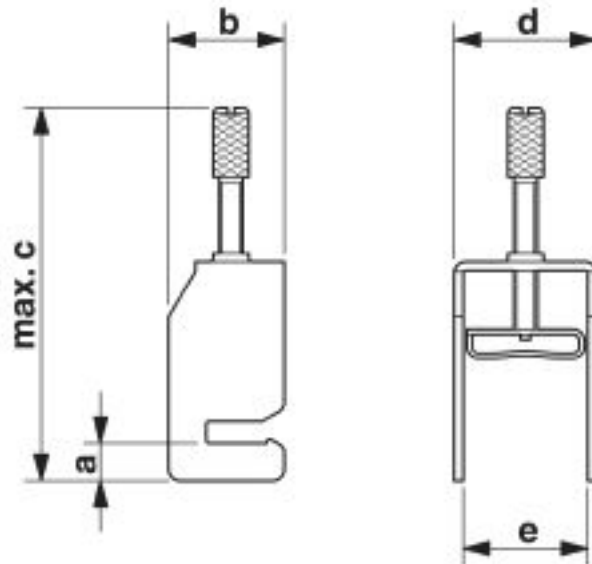
Drawings

Dimensional drawing



Shield connection clamp - SK 14 VPE 300 - 3027941

Dimensional drawing



Classifications

eCl@ss

eCl@ss 10.0.1	27141150
eCl@ss 4.0	27141100
eCl@ss 4.1	27141100
eCl@ss 5.0	27141100
eCl@ss 5.1	27141100
eCl@ss 6.0	27141100
eCl@ss 7.0	27141150
eCl@ss 8.0	27141150
eCl@ss 9.0	27141150

ETIM

ETIM 2.0	EC000897
ETIM 3.0	EC000897
ETIM 4.0	EC000897
ETIM 5.0	EC002020
ETIM 6.0	EC002020
ETIM 7.0	EC002020

UNSPSC

UNSPSC 6.01	30211811
UNSPSC 7.0901	39121410
UNSPSC 11	39121410
UNSPSC 12.01	39121410

Shield connection clamp - SK 14 VPE 300 - 3027941

Classifications

UNSPSC

UNSPSC 13.2	39121432
UNSPSC 18.0	39121432
UNSPSC 19.0	39121432
UNSPSC 20.0	39121432
UNSPSC 21.0	39121432

Accessories

Accessories

Installation terminal block

Connection terminal block - AKG 4 GNYE - 0421029



Connection terminal block, connection method: Screw connection, load current: 41 A, cross section: 0.5 mm² - 6 mm², width: 7 mm, color: green-yellow

Connection terminal block - AKG 4 BK - 0421032



Connection terminal block, connection method: Screw connection, load current: 41 A, cross section: 0.5 mm² - 6 mm², width: 7 mm, color: black

Neutral conductor rail

Neutral busbar - NLS-CU 3/10 SN 1000MM - 0402174



Neutral busbar, width: 10 mm, height: 3 mm, DIN VDE 0611-4: 1991-02, material: Copper, tin-plated, length: 1000 mm, color: silver

Pick-off terminal block

Connection terminal block - AK 4 - 0404017



Connection terminal block, connection method: Screw connection, load current: 41 A, cross section: 0.5 mm² - 6 mm², width: 7 mm, color: silver

Shield connection clamp - SK 14 VPE 300 - 3027941

Accessories

Support

Support bracket - AB-SK TOP - 3062090



Support bracket, Bracket for busbars, set every 20 cm, length: 102.4 mm, width: 5.2 mm, number of positions: 1, color: gray

Support bracket - AB-SK TOP INSULATED - 3062074



Support bracket, Bracket for busbars, set every 20 cm, length: 102.4 mm, width: 5.2 mm, number of positions: 2, color: gray

Support bracket - AB-SK - 3025341



Support bracket for busbars

Support bracket - AB-SK 65 - 3026489



Support bracket, Bracket for busbars, set every 20 cm, length: 95.5 mm, width: 6.2 mm, number of positions: 1, color: gray

Support bracket - AB-SKS 60 - 3240223



Support bracket for busbars

Shield connection clamp - SK 14 VPE 300 - 3027941

Accessories

Support bracket - AB-SK-D TOP - 3062100



Support bracket, Bracket for busbars, set every 20 cm, length: 155.8 mm, width: 5.2 mm, number of positions: 2, color: gray

Support bracket - AB-SK-D TOP INSULATED - 3062087



Support bracket, Bracket for busbars, set every 20 cm, length: 155.8 mm, width: 5.2 mm, number of positions: 2, color: gray

Support bracket - AB-SK 65-D - 3026900



Support bracket, Bracket for busbars, set every 20 cm, length: 150 mm, width: 8.2 mm, number of positions: 2, color: gray

Support bracket - AB-SK 65-D INSULATED - 3040889



Support bracket, Bracket for busbars, set every 20 cm, length: 150 mm, width: 8.2 mm, number of positions: 2, color: gray

Support bracket - AB/SS - 0404428



Support bracket made from insulation material, with retaining screw, can be used with either 3 x 10 mm or 6 x 6 mm busbar, color: gray

Shield connection clamp - SK 14 VPE 300 - 3027941

Accessories

Support bracket - AB/SS-M - 3025888



Support bracket made from insulation material, with retaining screw, can be used for 3 x 10 mm busbar, color: gray

Support bracket - AB/SKS - 3240224



Support bracket for busbars

Support bracket - AB-SK/E - 3026476



Support bracket, Bracket for busbars, set every 20 cm, length: 10 mm, width: 56 mm, height: 20 mm, number of positions: 2, color: silver

Support bracket - AB-SK/E-NS 35 - 3213111



Support bracket, Bracket for busbars, set every 20 cm, length: 50 mm, width: 56 mm, height: 33.7 mm, number of positions: 2, color: silver

Phoenix Contact 2020 © - all rights reserved
<http://www.phoenixcontact.com>

PHOENIX CONTACT GmbH & Co. KG
Flachsmarktstr. 8
32825 Blomberg
Germany
Tel. +49 5235 300
Fax +49 5235 3 41200
<http://www.phoenixcontact.com>

X-ON Electronics

Largest Supplier of Electrical and Electronic Components

Click to view similar products for [Terminal Block Tools & Accessories](#) category:

Click to view products by [Phoenix Contact](#) manufacturer:

Other Similar products are found below :

[00171430102](#) [00171420102](#) [600HL](#) [600RJ-07](#) [600RJ-11](#) [600RJ-14](#) [600RJS-10](#) [600RJS-12](#) [600RJS-15](#) [600RJS-21](#) [601RJ-09](#) [602SP](#) [602Z](#)
[604J](#) [CSTSPC1-2](#) [7B941-7](#) [88943-2100](#) [QC102](#) [1437403-6](#) [1437403-9](#) [1437403-8](#) [1453128-1](#) [147832-1](#) [EC0037-000](#) [MT2/H--](#) [MT6/H-N](#)
[MT6/V-GRND](#) [MT8/H-51-60](#) [BC2-12](#) [BCC-1-8/10](#) [EP2.5/4UN/BG](#) [1707755](#) [1735590](#) [1755480](#) [1789281](#) [1840227](#) [1840230](#) [2-1437402-1](#)
[JA2-03](#) [JB1-03/J](#) [JB2-04](#) [JB2-05](#) [JB2-07](#) [JB2-09/J](#) [PARALLELJUMPERLINK](#) [JS601](#) [2204082](#) [2302463](#) [2305949](#) [8PCV-BUSHING](#)