

Feed-through terminal block - PT 4-WE/35 - 3044940

<https://www.phoenixcontact.com/in/products/3044940>

Please be informed that the data shown in this PDF document is generated from our Online Catalog. Please find the complete data in the user documentation. Our General Terms of Use for Downloads are valid.



Panel feed-through terminal block, Minimum distance to other conductive surfaces: min 5 mm, nom. voltage: 500 V, nominal current: 24 A, connection method: Push-in connection, number of connections: 70, number of positions: 35, cross section: 0.14 mm² - 4 mm², AWG: 26 - 12, width: 185.3 mm, height: 26.6 mm, color: gray, mounting type: Wall mounting

Your advantages

- Easy grouping with engagement pin versions
- Highly flexible, thanks to alignable single terminal blocks
- Easy connection of the conductors, thanks to fast Push-in spring connection
- CLIPLINE complete accessories for easy bridging, testing, and marking
- Automatic compensation of the panel thickness via the snap principle integrated in the insulation housing

Feed-through terminal block - PT 4-WE/35 - 3044940



<https://www.phoenixcontact.com/in/products/3044940>

Commercial Data

Order Key	3044940
Packing unit	10 pc
Minimum order quantity	10 pc
Sales Key	BE6
GTIN	4055626389899
Weight per Piece (including packing)	227.3 GRM
Weight per Piece (excluding packing)	227.3 GRM
Customs tariff number	85369010

Feed-through terminal block - PT 4-WE/35 - 3044940



<https://www.phoenixcontact.com/in/products/3044940>

Technical Data

Environmental and real-life conditions

Ambient temperature (operation)	-60 °C ... 105 °C (max. short-term operating temperature 130°C)
Ambient temperature (storage/transport)	-25 °C ... 60 °C (for a short time, not exceeding 24 h, -60 °C to +70 °C)
Ambient temperature (assembly)	-5 °C ... 70 °C
Ambient temperature (actuation)	-5 °C ... 70 °C
Permissible humidity (storage/transport)	30 % ... 70 %

Aging

Temperature cycles	192
Result	Test passed

Oscillation/broadband noise

Specification	DIN EN 50155 (VDE 0115-200):2008-03
Spectrum	Service life test category 1, class B, body mounted
Frequency	$f_1 = 5 \text{ Hz}$ to $f_2 = 150 \text{ Hz}$
ASD level	$0.964 \text{ (m/s}^2\text{)}^2\text{/Hz}$
Acceleration	0.58 g
Test duration per axis	5 h
Test directions	X-, Y- and Z-axis
Result	Test passed

Needle-flame test

Time of exposure	30 s
Result	Test passed

Shocks

Specification	DIN EN 50155 (VDE 0115-200):2008-03
Pulse shape	Half-sine
Acceleration	5g
Shock duration	30 ms
Number of shocks per direction	3
Test directions	X-, Y- and Z-axis (pos. and neg.)
Result	Test passed

Notes

Assembly instruction:	Minimum distance to other conductive surfaces: min 5 mm
-----------------------	---

Environmental Product Compliance

China RoHS	Environmentally friendly use period: unlimited = EFUP-e
China RoHS	No hazardous substances above threshold values

Electrical properties

Feed-through terminal block - PT 4-WE/35 - 3044940

<https://www.phoenixcontact.com/in/products/3044940>

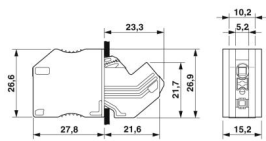
Maximum power dissipation for nominal condition	1.02 W (the value is based on one connection block and is multiplied according to the pin assignment)
---	---

Mechanical properties

Mechanical data

Open side panel	No
-----------------	----

Dimensions

Dimensional drawing	
Width	185.3 mm
Height	26.6 mm
Length	51.3 mm
Pitch	5.2 mm
Plate thickness	1 mm ... 2.5 mm

Mechanical tests

Mechanical strength

Result	Test passed
--------	-------------

Attachment on the carrier

DIN rail/fixing support	NS 35
Test force setpoint	1 N
Result	Test passed

Test for conductor damage and slacking

Conductor cross section/weight	0.14 mm ² / 0.2 kg
Conductor cross section/weight	2.5 mm ² / 0.7 kg
Conductor cross section/weight	4 mm ² / 0.9 kg
Result	Test passed

Material specifications

Color	gray
Flammability rating according to UL 94	V0
Insulating material	PA
Static insulating material application in cold	-60 °C
Temperature index of insulation material (DIN EN 60216-1 (VDE 0304-21))	125 °C
Relative insulation material temperature index (Elec., UL 746 B)	130 °C
Fire protection for rail vehicles (DIN EN 45545-2) R22	HL 1 - HL 3
Fire protection for rail vehicles (DIN EN 45545-2) R23	HL 1 - HL 3

Feed-through terminal block - PT 4-WE/35 - 3044940

<https://www.phoenixcontact.com/in/products/3044940>

Fire protection for rail vehicles (DIN EN 45545-2) R24	HL 1 - HL 3
Fire protection for rail vehicles (DIN EN 45545-2) R26	HL 1 - HL 3
Calorimetric heat release NFPA 130 (ASTM E 1354)	27,5 MJ/kg
Surface flammability NFPA 130 (ASTM E 162)	passed
Specific optical density of smoke NFPA 130 (ASTM E 662)	passed
Smoke gas toxicity NFPA 130 (SMP 800C)	passed

Mounting

Mounting type	Wall mounting
Plate thickness	1 mm ... 2.5 mm

Electrical tests

Short-time withstand current 2.5 mm ²	0.15 kA
Short-time withstand current 4 mm ²	0.15 kA
Short-time withstand current 2.5 mm ²	0.3 kA
Short-time withstand current 4 mm ²	0.3 kA
Short-time withstand current 2.5 mm ²	0.5 kA
Result	Test passed

Power-frequency withstand voltage

Test voltage setpoint	1.89 kV
Result	Test passed

Temperature-rise test

Requirement temperature-rise test	Increase in temperature ≤ 45 K
Result	Test passed

Surge voltage test

Test voltage setpoint	7.3 kV
Result	Test passed

Connection data

Grounding foot	No
Nominal cross section	4 mm ²
Rated cross section AWG	14
Note	Derating curve on request.
Stripping length	10 mm
Internal cylindrical gage	A3
Connection in acc. with standard	IEC 60947-7-1
Conductor cross section solid	0.14 mm ² ... 4 mm ²
Cross section AWG	26 ... 12
Conductor cross section flexible	0.14 mm ² ... 4 mm ²
Conductor cross section, flexible [AWG]	26 ... 12
Flexible conductor cross section flexible (ferrule, w/o plastic sleeve)	0.14 mm ² ... 2.5 mm ²

Feed-through terminal block - PT 4-WE/35 - 3044940

<https://www.phoenixcontact.com/in/products/3044940>

Flexible conductor cross section (ferrule with plastic sleeve)	0.14 mm ² ... 2.5 mm ²
2 conductors with the same cross section, flexible, with TWIN ferrule with plastic sleeve	0.5 mm ² ... 0.5 mm ²
Connection cross sections directly pluggable	
Conductor cross section solid	0.34 mm ² ... 4 mm ²
Conductor cross section, solid [AWG]	12
Flexible conductor cross section flexible (ferrule, w/o plastic sleeve)	0.34 mm ² ... 2.5 mm ²
Flexible conductor cross section (ferrule with plastic sleeve)	0.34 mm ² ... 2.5 mm ²
Nominal current	24 A
Maximum load current	30 A (with 6 mm ² conductor cross section, rigid)
Nominal voltage	500 V
Nominal cross section	4 mm ²

Standards and regulations

Connection in acc. with standard	IEC 60947-7-1
----------------------------------	---------------

Product properties

Number of positions	35
Number of connections	70
Number of levels	1
Potentials	35

Insulation characteristics

Overvoltage category	III
Degree of pollution	3

Feed-through terminal block - PT 4-WE/35 - 3044940

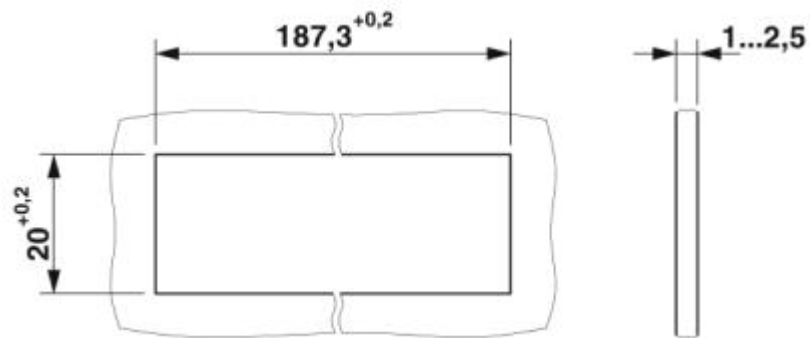
<https://www.phoenixcontact.com/in/products/3044940>

Drawings

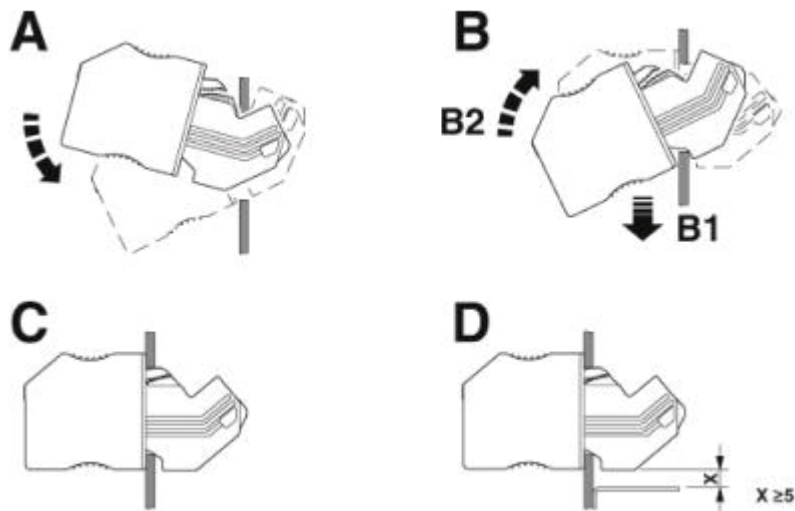
Circuit diagram



Dimensional drawing



Schematic diagram

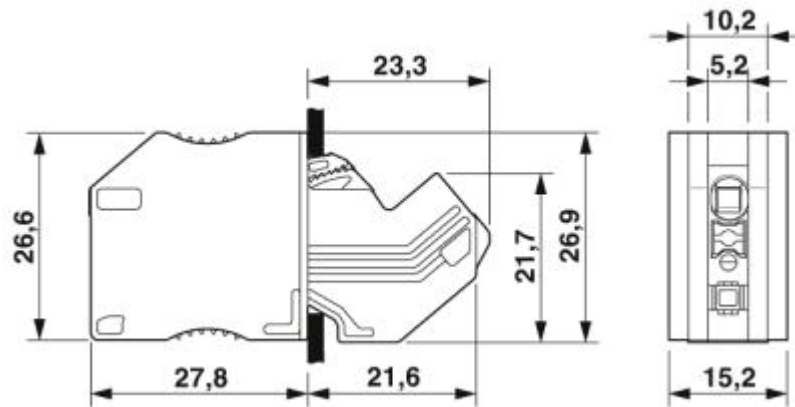


Assembly drawing

Feed-through terminal block - PT 4-WE/35 - 3044940

<https://www.phoenixcontact.com/in/products/3044940>

Dimensional drawing




Feed-through terminal block - PT 4-WE/35 - 3044940




<https://www.phoenixcontact.com/in/products/3044940>

Approvals

UL Recognized 

Usegroup	B	C	D
Nominal voltage U_N	300 V	150 V	300 V
Nominal current I_N	25 A	25 A	10 A
AWG/kcmil	24-10	24-10	24-10
Min. cross section	24 mm ²	24 mm ²	24 mm ²
Max. cross section	10 mm ²	10 mm ²	10 mm ²


cUL Recognized 

Usegroup	B	C	D
Nominal voltage U_N	300 V	150 V	300 V
Nominal current I_N	25 A	25 A	10 A
AWG/kcmil	24-10	24-10	24-10
Min. cross section	24 mm ²	24 mm ²	24 mm ²
Max. cross section	10 mm ²	10 mm ²	10 mm ²

EAC 

EAC 

EAC 

EAC 

cULus Recognized

Feed-through terminal block - PT 4-WE/35 - 3044940

<https://www.phoenixcontact.com/in/products/3044940>

Accessories

Partition plate

Partition plate - DP PS-5 - 3036725



Spacer plate, length: 22.4 mm, width: 5.2 mm, height: 29 mm, number of positions: 1, color: red

End cover

End cover - D-PT 4-WE - 3044902



End cover, Right / left, length: 49.4 mm, width: 5 mm, height: 26.9 mm, color: gray

Screwdriver tools

Screwdriver tools - ST-BW - 1207608

Feed-through terminal block - PT 4-WE/35 - 3044940

<https://www.phoenixcontact.com/in/products/3044940>



Actuation tool, for all 2.5 mm² - 4.0 mm² spring-cages

Screwdriver tools

Screwdriver tools - SZF 1-0,6X3,5 - 1204517



Actuation tool, for ST terminal blocks, also suitable for use as a bladed screwdriver, size: 0.6 x 3.5 x 100 mm, 2-component grip, with non-slip grip

Terminal marking

Terminal marking - UC-TMF 5 - 0818153



Marker for terminal blocks, Sheet, white, unlabeled, can be labeled with: BLUEMARK ID COLOR, BLUEMARK ID, BLUEMARK CLED, PLOTMARK, CMS-P1-PLOTTER, mounting type: snap into flat marker groove, for terminal block width: 5.2 mm, lettering field size: 4.6 x 5.1 mm, Number of individual labels: 96

Terminal marking

Feed-through terminal block - PT 4-WE/35 - 3044940

<https://www.phoenixcontact.com/in/products/3044940>

Terminal marking - UCT-TMF 5 - 0828744



Marker for terminal blocks, Sheet, white, unlabeled, can be labeled with: TOPMARK NEO, TOPMARK LASER, BLUEMARK ID COLOR, BLUEMARK ID, BLUEMARK CLED, THERMOMARK PRIME, THERMOMARK CARD 2.0, THERMOMARK CARD, mounting type: snap into flat marker groove, for terminal block width: 5.2 mm, lettering field size: 4.4 x 4.7 mm, Number of individual labels: 72

Terminal marking

Terminal marking - ZBF 5:UNBEDRUCKT - 0808642



Zack Marker strip, flat, Strip, white, unlabeled, can be labeled with: PLOTMARK, CMS-P1-PLOTTER, mounting type: snap into flat marker groove, for terminal block width: 5 mm, lettering field size: 5.1 x 5.2 mm, Number of individual labels: 10

Test socket

Test socket - PAI-4 - 3030925



Test adapter, for 4 mm test plug and terminal blocks with 4.2 mm ... 8.2 mm pitch, color: gray

Feed-through terminal block - PT 4-WE/35 - 3044940

<https://www.phoenixcontact.com/in/products/3044940>

Test plug terminal block

Test plug terminal block - PS-5 - 3030983



Test plugs, Modular test plug, color: red

Test plug terminal block

Test plug terminal block - PS-5/2,3MM RD - 3038723



Test plugs, color: red

Phoenix Contact 2020 © - all rights reserved
<https://www.phoenixcontact.com>

PHOENIX CONTACT (I) Pvt. Ltd.
A-58/2, Okhla Industrial Area, Phase - II, New Delhi-110 020

+91.11.30262800
info@phoenixcontact.co.in

X-ON Electronics

Largest Supplier of Electrical and Electronic Components

Click to view similar products for [Fixed Terminal Blocks](#) category:

Click to view products by [Phoenix Contact](#) manufacturer:

Other Similar products are found below :

[MBE-1512](#) [MBE-154](#) [MBE-156](#) [MBES-153](#) [MBES-156](#) [MH-2512](#) [MHE-132](#) [MHE-163](#) [MI-254 \(35\)](#) [MI-272](#) [880507](#) [MPT-275](#)
[15602-04-08-21](#) [BA311TU](#) [BA411SU](#) [MV-152](#) [MV-252-D](#) [MV-253/NCNOC](#) [MV-254-D](#) [MV-255](#) [MV-462](#) [MV-493](#) [MVE-252](#) [MVE-253](#)
[MVE-273](#) [MVEB-153](#) [1700096](#) [1705142](#) [1712417](#) [1713020](#) [1713088](#) [1745195](#) [1760594](#) [1776118-2](#) [1790852](#) [1-796689-8](#) [1-796692-6](#)
[1800001](#) [1800114](#) [1995279](#) [20020314-C121B01LF](#) [20020316-G041B01LF](#) [CB2-12](#) [KP03215000J0G](#) [KP04215000J0G](#) [S451](#) [282802-2](#)
[29.007](#) [29.116](#) [30.103](#)