

## Support bracket - AB-SK-D TOP INSULATED - 3062087

Please be informed that the data shown in this PDF Document is generated from our Online Catalog. Please find the complete data in the user's documentation. Our General Terms of Use for Downloads are valid (<http://phoenixcontact.com/download>)

Support bracket, Bracket for busbars, set every 20 cm, length: 155.8 mm, width: 5.2 mm, number of positions: 2, color: gray




### Your advantages

- ✔ For mounting SK and SKS shield connection clamps
- ✔ Can be labeled with zack marker strip and KLM terminal strip markers
- ✔ Compact design with 5.2 mm pitch
- ✔ Parking option for bridges and plugs
- ✔ The 3 x 10 mm rail can be mounted in the supports vertically, horizontally, and at a 45° angle for optimum conductor placement
- ✔ For user-friendly shield connection, especially for single and multi-level terminal blocks and devices with a front connection



### Key Commercial Data

|              |   |
|--------------|---|
| Packing unit | 10 pc   |
| GTIN         | <br>4 046356 591850 |
| GTIN         | 4046356591850   |

### Technical data

#### Dimensions

|            |          |
|------------|----------|
| Length (b) | 155.8 mm |
| Width (a)  | 5.2 mm   |

#### General

|  |      |
|--|------|
| Color                                  | gray |
| Flammability rating according to UL 94 | V0   |
| Material                               | PA   |
| Insulating material                    | PA   |

#### Standards and Regulations

|  |    |
|--|----|
| Flammability rating according to UL 94 | V0 |
|--|----|

# Support bracket - AB-SK-D TOP INSULATED - 3062087

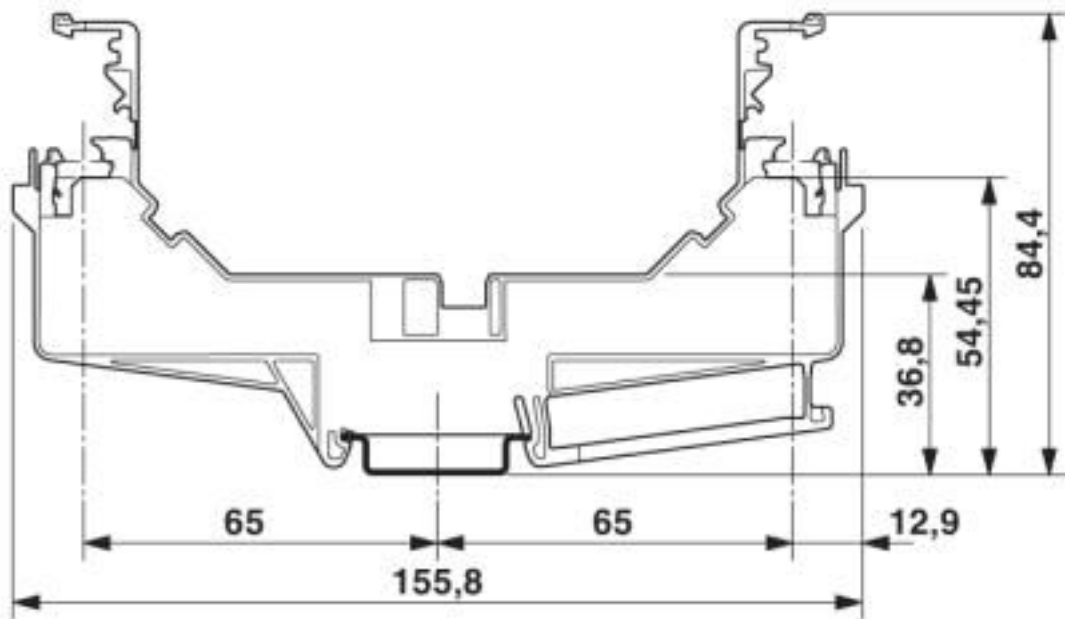
## Technical data

### Environmental Product Compliance

|            |   |
|------------|---|
| China RoHS | Environmentally friendly use period: unlimited = EFUP-e |
|            | No hazardous substances above threshold values          |

## Drawings

Dimensional drawing



## Classifications

### eCl@ss

|               |          |
|---------------|----------|
| eCl@ss 10.0.1 | 27400607 |
| eCl@ss 4.0    | 23150300 |
| eCl@ss 4.1    | 23150300 |
| eCl@ss 5.0    | 27141100 |
| eCl@ss 5.1    | 27141100 |
| eCl@ss 6.0    | 27409200 |
| eCl@ss 7.0    | 27409221 |
| eCl@ss 8.0    | 27409221 |
| eCl@ss 9.0    | 27400607 |

### ETIM

|          |          |
|----------|----------|
| ETIM 2.0 | EC000761 |
| ETIM 3.0 | EC000761 |
| ETIM 4.0 | EC002270 |
| ETIM 5.0 | EC002270 |

## Support bracket - AB-SK-D TOP INSULATED - 3062087

### Classifications

#### ETIM

|          |          |
|----------|----------|
| ETIM 6.0 | EC001166 |
| ETIM 7.0 | EC001166 |

#### UNSPSC

|               |          |
|---------------|----------|
| UNSPSC 6.01   | 30212109 |
| UNSPSC 7.0901 | 39121708 |
| UNSPSC 11     | 39121708 |
| UNSPSC 12.01  | 39121708 |
| UNSPSC 13.2   | 39121708 |
| UNSPSC 18.0   | 39121708 |
| UNSPSC 19.0   | 39121708 |
| UNSPSC 20.0   | 39121708 |
| UNSPSC 21.0   | 39121708 |

Phoenix Contact 2020 © - all rights reserved  
<http://www.phoenixcontact.com>

PHOENIX CONTACT GmbH & Co. KG  
Flachsmarktstr. 8  
32825 Blomberg  
Germany  
Tel. +49 5235 300  
Fax +49 5235 3 41200  
<http://www.phoenixcontact.com>

## X-ON Electronics

Largest Supplier of Electrical and Electronic Components

*Click to view similar products for [Terminal Block Tools & Accessories](#) category:*

*Click to view products by [Phoenix Contact](#) manufacturer:*

Other Similar products are found below :

[00171430102](#) [00171420102](#) [600HL](#) [600RJ-07](#) [600RJ-11](#) [600RJ-14](#) [600RJS-10](#) [600RJS-12](#) [600RJS-15](#) [600RJS-21](#) [601RJ-09](#) [602SP](#) [602Z](#)  
[604J](#) [CSTSPC1-2](#) [7B941-7](#) [88943-2100](#) [QC102](#) [1437403-6](#) [1437403-9](#) [1437403-8](#) [1453128-1](#) [147832-1](#) [EC0037-000](#) [MT2/H--](#) [MT6/H-N](#)  
[MT6/V-GRND](#) [MT8/H-51-60](#) [BC2-12](#) [BCC-1-8/10](#) [EP2.5/4UN/BG](#) [1707755](#) [1735590](#) [1755480](#) [1789281](#) [1840227](#) [1840230](#) [2-1437402-1](#)  
[JA2-03](#) [JB1-03/J](#) [JB2-04](#) [JB2-05](#) [JB2-07](#) [JB2-09/J](#) [PARALLELJUMPERLINK](#) [JS601](#) [2204082](#) [2302463](#) [2305949](#) [8PCV-BUSHING](#)