

Cable routing system - CGS 50 - 3071400

Please be informed that the data shown in this PDF Document is generated from our Online Catalog. Please find the complete data in the user's documentation. Our General Terms of Use for Downloads are valid (<http://phoenixcontact.com/download>)


Cable routing system, with closed swivel joint, length: 218 mm, width: 68 mm, height: 140.5 mm, diameter: 42 mm, color: gray



Your advantages

- ✓ High-grade elastic and mechanically resilient plastic, certified according to UL 94 for flammability rating: V0
- ✓ Mechanical cable protection and bundling, thanks to protective covers that can be attached without tools
- ✓ Integrated flanges with strain relief make assembly quick and easy
- ✓ Easily plan cable harnesses: the cable length is predefined through the swivel arm
- ✓ Cable routing for the control cabinet door can be planned in the CAD system, thanks to the defined installation space and swivel range
- ✓ Route pre-assembled cables and conductors easily, thanks to the patent-pending swivel joint

Key Commercial Data

Packing unit	1 pc
GTIN	 4 055626 289182
GTIN	4055626289182

Technical data

General

Note	Cable binders can be used up to a width of 4 mm and from a length of 40 mm
Color	gray
Material	PC
Flammability rating according to UL 94	V0
Number of cables	100 for 1.5 mm ²
Cable feed-through	Cables can be pulled through at an angle between 120° and 180°. Conductor bundles up to 22 mm in diameter can be fed in.
Components	halogen-free
Ambient temperature (operation)	-60 °C ... 85 °C
Ambient temperature (storage/transport)	-25 °C ... 55 °C (For a short time, not exceeding 24 h, -60 to +70 °C)

Cable routing system - CGS 50 - 3071400

Technical data

General

Permissible humidity (storage/transport)	30 % ... 70 %
Ambient temperature (assembly)	-5 °C ... 70 °C
Ambient temperature (actuation)	-5 °C ... 70 °C

Dimensions

Width	68 mm
Length	218 mm
Height	140.5 mm
Diameter	42 mm
Hole diameter	5.5 mm
Marking field	36,8 x 27,2 mm
Cable length	700 mm ... 460 mm

Standards and Regulations

Flammability rating according to UL 94	V0
--	----

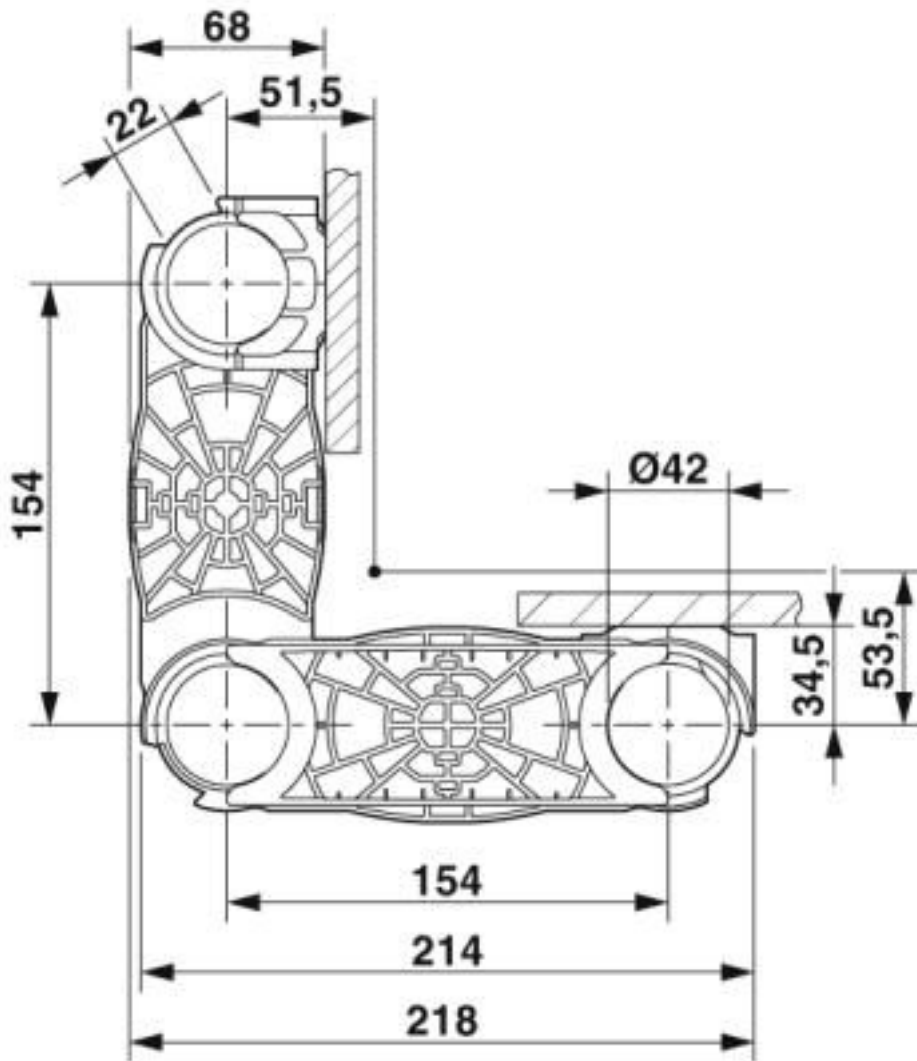
Environmental Product Compliance

China RoHS	Environmentally friendly use period: unlimited = EFUP-e
	No hazardous substances above threshold values

Drawings

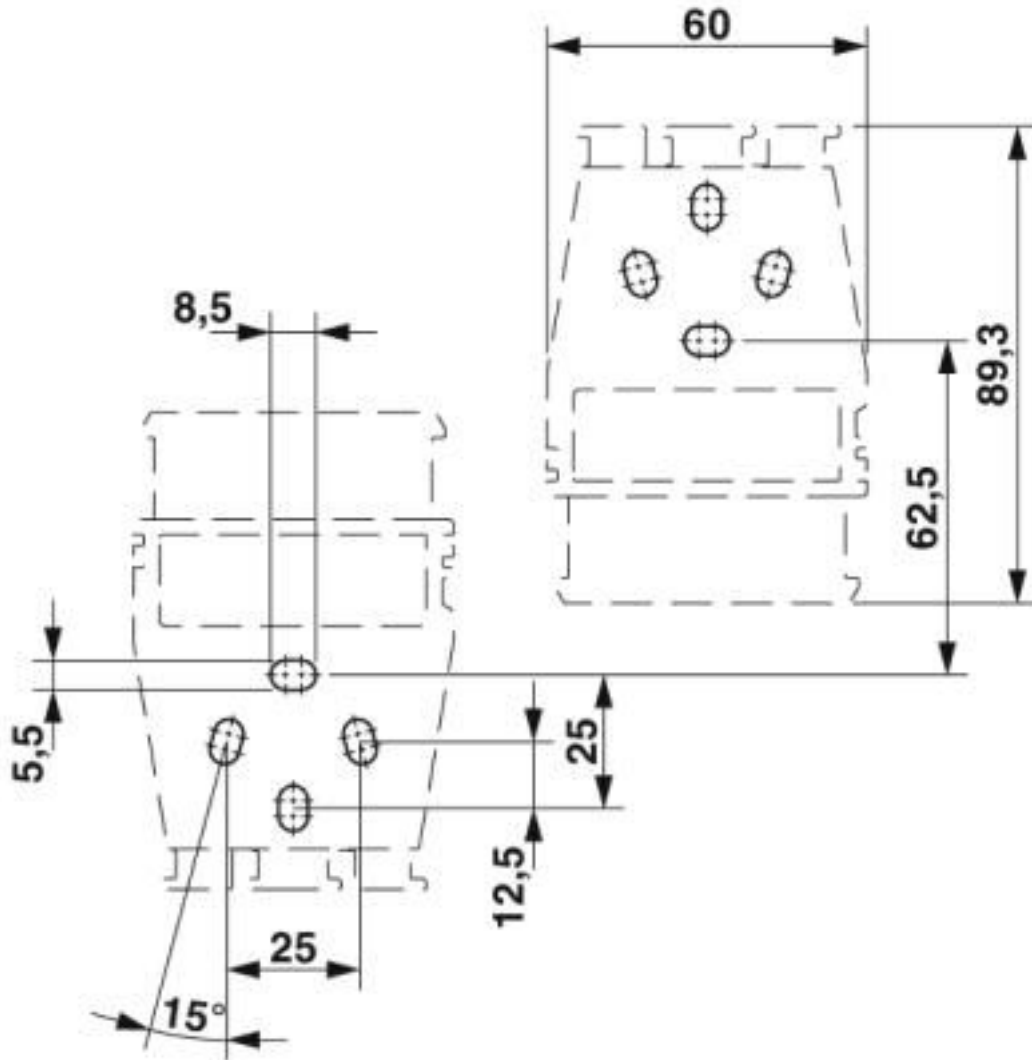
Cable routing system - CGS 50 - 3071400

Dimensional drawing



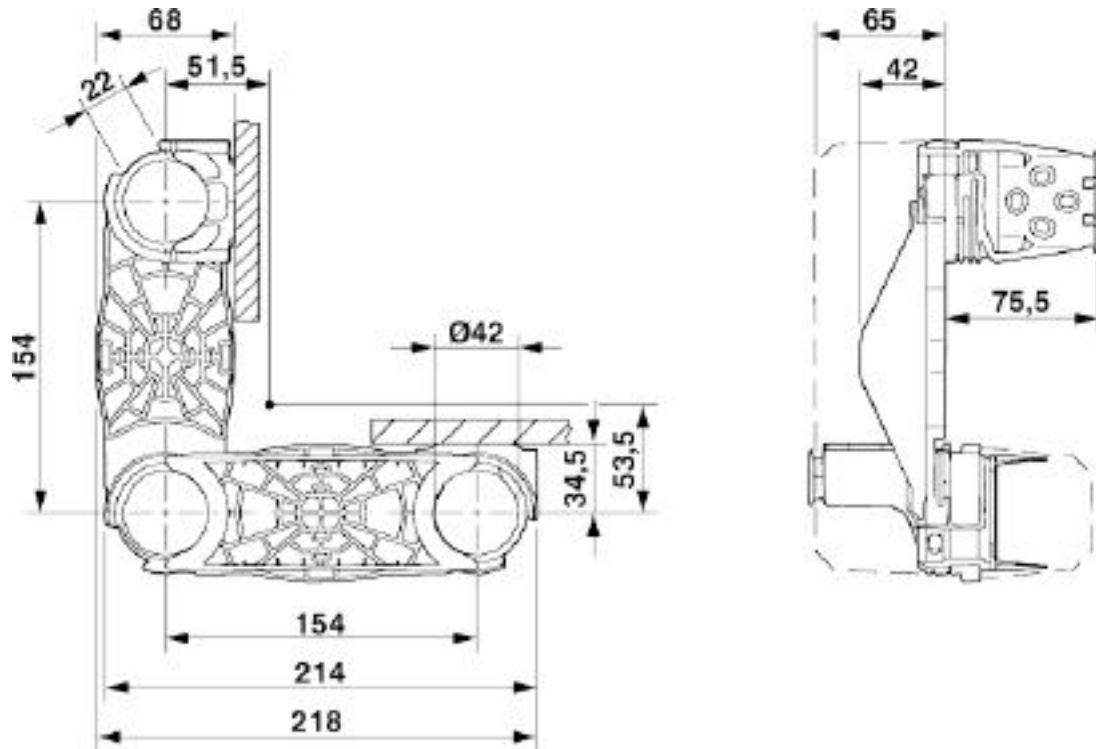
Cable routing system - CGS 50 - 3071400

Dimensional drawing



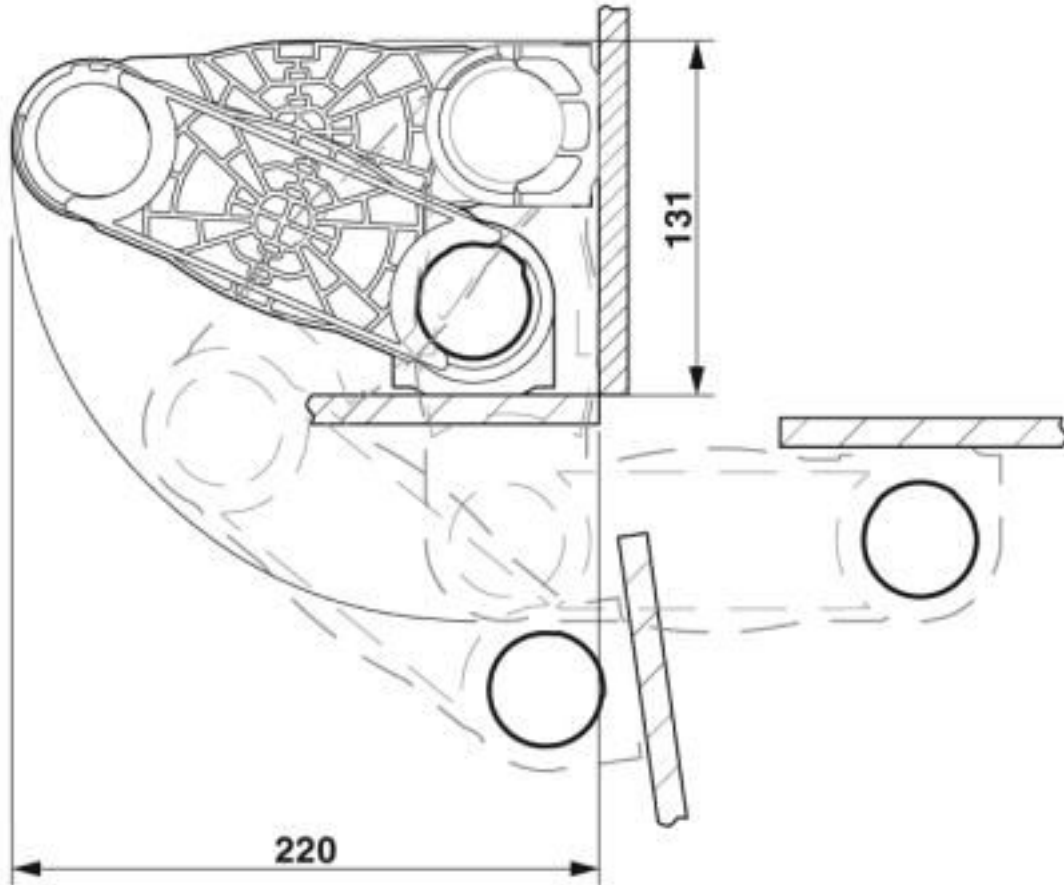
Cable routing system - CGS 50 - 3071400

Dimensional drawing



Cable routing system - CGS 50 - 3071400

Dimensional drawing



Classifications

eCl@ss

eCl@ss 10.0.1	27182811
eCl@ss 4.0	27140602
eCl@ss 4.1	27140602
eCl@ss 5.0	27140602
eCl@ss 5.1	27140602
eCl@ss 6.0	27189200
eCl@ss 7.0	27189261
eCl@ss 8.0	27189261
eCl@ss 9.0	27189261

ETIM

ETIM 2.0	EC000012
ETIM 3.0	EC000012
ETIM 4.0	EC000012
ETIM 5.0	EC002620

Cable routing system - CGS 50 - 3071400

Classifications

ETIM

ETIM 6.0	EC002620
ETIM 7.0	EC002620

UNSPSC

UNSPSC 6.01	30101815
UNSPSC 7.0901	30101815
UNSPSC 11	30101815
UNSPSC 12.01	30101815
UNSPSC 13.2	30101815
UNSPSC 18.0	39121724
UNSPSC 19.0	39121724
UNSPSC 20.0	39121724
UNSPSC 21.0	39121724

Approvals

Approvals

Approvals

VDE Zeichengenehmigung

Ex Approvals

Approval details

VDE Zeichengenehmigung		http://www2.vde.com/de/Institut/Online-Service/VDE-gepruefteProdukte/Seiten/Online-Suche.aspx	40047466
------------------------	--	---	----------

Accessories

Accessories

Cable tie

Cable tie - WT-HF 3,6X140 - 3240744



Cable binders for quick and secure bundling, standard version

Cable routing system - CGS 50 - 3071400

Accessories

Cable tie - WT-HF 3,6X140 BK - 3240745



Cable binders for quick and secure bundling, standard version

Cable tie - WT-HF 3,6X200 - 3240748



Cable binders for quick and secure bundling, standard version

Cable tie - WT-HF 3,6X200 BK - 3240749



Cable binders for quick and secure bundling, standard version

Cable tie - WT-HF 3,6X290 - 3240752



Cable binders for quick and secure bundling, standard version

Cable tie - WT-HF 3,6X290 BK - 3240753



Cable binders for quick and secure bundling, standard version

Cover profile

Cable routing system - CGS 50 - 3071400

Accessories

Cover - CGS-AH 50 SET - 3071410



Cover, packed in pairs, length: 214 mm, width: 63 mm, height: 54.5 mm, color: gray

Phoenix Contact 2020 © - all rights reserved
<http://www.phoenixcontact.com>

PHOENIX CONTACT GmbH & Co. KG
Flachsmarktstr. 8
32825 Blomberg
Germany
Tel. +49 5235 300
Fax +49 5235 3 41200
<http://www.phoenixcontact.com>

X-ON Electronics

Largest Supplier of Electrical and Electronic Components

Click to view similar products for [Cable Mounting & Accessories](#) category:

Click to view products by [Phoenix Contact](#) manufacturer:

Other Similar products are found below :

[582603-1](#) [009333-000](#) [727844N003](#) [747](#) [809090N001](#) [843188-000](#) [8666](#) [967279N002](#) [DB-11](#) [1300840039](#) [1300900096](#) [1301800416](#)
[1302264450](#) [1300830184](#) [1300830729](#) [1300900039](#) [1301580036](#) [1301850553](#) [1301860939](#) [1302000074](#) [1302261315](#) [1302264431](#)
[1337706-2](#) [APA18-AK](#) [1724](#) [1-787307-1](#) [185491N001](#) [1868](#) [HP-6N](#) [C-202-C](#) [202C221-13-0](#) [CA7308-000](#) [8S23-75FR-CS8184](#) [2684](#) [9648](#)
[3089](#) [988382-000](#) [A72821-000](#) [AA401](#) [173506-000](#) [1823](#) [202C292-13-0](#) [202C302-13-0](#) [2109](#) [300625](#) [3330](#) [3412](#) [356247-1](#) [M9142](#)
[M9143](#)