

Panel feed-through terminal block - UWV 16/S - 3073432

Please be informed that the data shown in this PDF Document is generated from our Online Catalog. Please find the complete data in the user's documentation. Our General Terms of Use for Downloads are valid (<http://phoenixcontact.com/download>)



Panel feed-through terminal block, connection method: Screw connection with tension sleeve, Screw connection with tension sleeve, number of positions: 1, load current: 76 A, cross section: 6 mm² - 25 mm², connection direction of the conductor to plug-in direction: -90 °, width: 12.1 mm, color: gray

Your advantages

- ✓ Easy grouping with engagement pin versions
- ✓ Both terminal halves can be easily assembled by simply snapping them together
- ✓ Molded versions ensure maximum tightness of seal
- ✓ Touch-proof insulating housing in a new design
- ✓ Automatic compensation of the panel thickness via the snap principle integrated in the insulation housing
- ✓ Spacer plates increase clearances and creepage distances
- ✓ Universal screw connection with screw locking
- ✓ Well-known connection principle allows worldwide use
- ✓ Low temperature rise, thanks to maximum contact force
- ✓ Tool-free snap-in principle enables easy mounting on the device panel
- ✓ Automatic panel thickness compensation enables universal use



Key Commercial Data

| | |
|------------------------|---------------|
| Packing unit | 50 pc |
| Minimum order quantity | 50 pc |
| GTIN | |
| GTIN | 4046356344739 |

Technical data

Item properties

| | |
|---------------------------|--------------------------------------|
| Brief article description | Panel feed-through terminal block |
| Range of articles | UWV 16 |
| Pitch | 12.1 mm |
| Number of positions | 1 |
| Connection method | Screw connection with tension sleeve |

Panel feed-through terminal block - UWV 16/S - 3073432

Technical data

Item properties

| | |
|-----------------------|---|
| Number of connections | 2 |
| Number of potentials | 1 |

Electrical parameters

| | |
|-----------------|-------|
| Nominal current | 76 A |
| Nom. voltage | 500 V |
| Rated voltage | 500 V |

Connection capacity, external

| | |
|-------------------------------------------------------------------------------------------|--------------------------------------------|
| Connection method | Screw connection with tension sleeve |
| Connection direction of the conductor to plug-in direction | -90 ° |
| Conductor cross section solid | 6 mm ² ... 25 mm ² |
| Conductor cross section flexible | 6 mm ² ... 16 mm ² |
| Conductor cross section flexible, with ferrule without plastic sleeve | 6 mm ² ... 16 mm ² |
| Conductor cross section, flexible, with ferrule, with plastic sleeve | 6 mm ² ... 16 mm ² |
| 2 conductors with same cross section, solid | 2.5 mm ² ... 10 mm ² |
| 2 conductors with same cross section, flexible | 2.5 mm ² ... 6 mm ² |
| 2 conductors with same cross section, flexible, with ferrule without plastic sleeve | 4 mm ² ... 6 mm ² |
| 2 conductors with the same cross section, flexible, with TWIN ferrule with plastic sleeve | 4 mm ² ... 6 mm ² |
| Internal cylindrical gage | B7 |
| Stripping length | 16 mm |
| Torque | 2.5 Nm ... 3 Nm |

Connection capacity, internal

| | |
|-------------------------------------------------------------------------------------------|--------------------------------------------|
| Connection method | Screw connection with tension sleeve |
| Connection direction of the conductor to plug-in direction | 0 ° |
| Conductor cross section solid | 6 mm ² ... 25 mm ² |
| Conductor cross section flexible | 6 mm ² ... 16 mm ² |
| Conductor cross section flexible, with ferrule without plastic sleeve | 6 mm ² ... 16 mm ² |
| Conductor cross section, flexible, with ferrule, with plastic sleeve | 6 mm ² ... 16 mm ² |
| 2 conductors with same cross section, solid | 2.5 mm ² ... 10 mm ² |
| 2 conductors with same cross section, flexible | 2.5 mm ² ... 6 mm ² |
| 2 conductors with same cross section, flexible, with ferrule without plastic sleeve | 4 mm ² ... 6 mm ² |
| 2 conductors with the same cross section, flexible, with TWIN ferrule with plastic sleeve | 4 mm ² ... 6 mm ² |
| Internal cylindrical gage | B7 |
| Stripping length | 16 mm |
| Torque | 2.5 Nm ... 3 Nm |

Material data - contact

| | |
|------|-----------------------------------------------------------------------------------|
| Note | WEEE/RoHS-compliant, free of whiskers according to IEC 60068-2-82/ JEDEC JESD 201 |
|------|-----------------------------------------------------------------------------------|

Panel feed-through terminal block - UWV 16/S - 3073432

Technical data

Material data - contact

| | |
|-------------------------|------------|
| Contact material | Cu alloy |
| Surface characteristics | tin-plated |

Material data - housing

| | |
|-------------------------------------------------------------------|-------------|
| Housing color | gray (7042) |
| Insulating material | PA |
| Insulating material group | I |
| CTI according to IEC 60112 | 600 |
| Flammability rating according to UL 94 | V0 |
| Glow wire flammability index GWFI according to EN 60695-2-12 | 850 |
| Glow wire ignition temperature GWIT according to EN 60695-2-13 | 775 |
| Temperature for the ball pressure test according to EN 60695-10-2 | 125 °C |

Dimensions for the product

| | |
|-------------|---------|
| Width [w] | 12.1 mm |
| Pitch | 12.1 mm |

Dimensions for mounting cutout

| | |
|-----------------|---------------|
| Plate thickness | 1 mm ... 6 mm |
|-----------------|---------------|

Packaging information

| | |
|----------------------------|---------------------|
| Type of packaging | packed in cardboard |
| Pieces per package | 50 |
| Denomination packing units | Pcs. |

General product information

| | |
|--------------|-------------------------------------------------------------------------------------------------------------------------------------------------------------|
| Type of note | Notes on safety |
| Note | The cable entry funnel is not touch-proof. Never connect or disconnect the terminal when it is energized. Take appropriate steps to ensure touch proofness. |

Termination and connection method

| | |
|------------------------------------------|-----------------------|
| Test for conductor damage and slackening | IEC 60947-7-1:2009-04 |
| | Test passed |

Pull-out test

| | |
|----------------------------------------------------------|-----------------------------------------|
| Pull-out test | IEC 60947-7-1:2009-04 |
| | Test passed |
| Conductor cross section / conductor type / tensile force | 6 mm ² / solid / > 80 N |
| | 6 mm ² / flexible / > 80 N |
| | 25 mm ² / stranded / > 135 N |
| | 16 mm ² / flexible / > 100 N |

Mechanical tests according to standard

| | |
|--------------------|---------------------------|
| Test specification | IEC 60947-7-1 (following) |
|--------------------|---------------------------|

Electrical tests

Panel feed-through terminal block - UWV 16/S - 3073432

Technical data

Electrical tests

| | |
|-------------------------|--------------------|
| Rated current | 76 A |
| Conductor cross section | 16 mm ² |

Air clearances and creepage distances

| | |
|-------------------------------------------------|--------------------------------------------|
| Clearances and creepage distances | without spacer plate IEC 60947-7-1:2009-04 |
| Application | without spacer plate |
| Specification | IEC 60947-7-1:2009-04 |
| Minimum clearance - inhomogeneous field (III/3) | 5.5 mm |
| Minimum creepage distance value (III/3) | 6.3 mm |

Temperature-rise test

| | |
|-----------------------------------|--------------------------------|
| Specification | IEC 60947-7-1:2009-04 |
| Result | Test passed |
| Requirement temperature-rise test | Increase in temperature ≤ 45 K |

Standards and Regulations

| | |
|----------------------------------------|--------------------------------------------------------------------------------------------------------------------------------------------------------------------------------------------------------------------------------------------------------------------------------------------------------------------------------------------------------------------------------------------------------------------------------------------------------------------------------------------------------------------------------------------------------------------------------------------------------------------------------------------------------------------------------------------------------------------------------------------------------------------------------------------------------------------|
| Connection in acc. with standard | UL |
| | IEC 60947-7-1 |
| Flammability rating according to UL 94 | V0 |
| Safety note | <ul style="list-style-type: none"> • WARNING: Only electrically qualified personnel may install and operate the product. They must observe the following safety notes. The qualified personnel must be familiar with the basics of electrical engineering. They must be able to recognize and prevent danger. The relevant symbol on the packaging indicates that only personnel familiar with electrical engineering are allowed to install and operate the product. • The installation notes/Design In documents online on the download page at phoenixcontact.com/products must be observed for this product. • The cable entry funnel is not safe to touch. Never connect or disconnect the terminal when it is energized. Take appropriate steps to ensure touch protection. |

Glow-wire test

| | |
|------------------|------------------------|
| Specification | IEC 60695-2-11:2000-10 |
| Result | Test passed |
| Temperature | 960 °C |
| Time of exposure | 30 s |

Needle flame test

| | |
|------------------|-----------------------|
| Specification | IEC 60947-7-1:2009-04 |
| Result | Test passed |
| Time of exposure | 30 s |

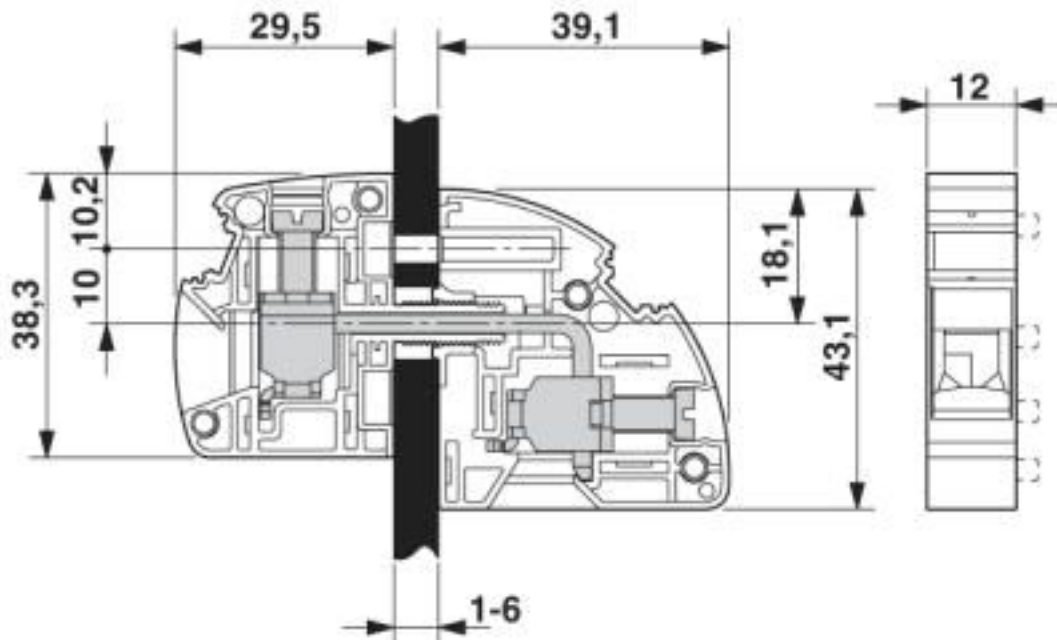
Environmental Product Compliance

| | |
|------------|---------------------------------------------------------|
| China RoHS | Environmentally friendly use period: unlimited = EFUP-e |
| | No hazardous substances above threshold values |

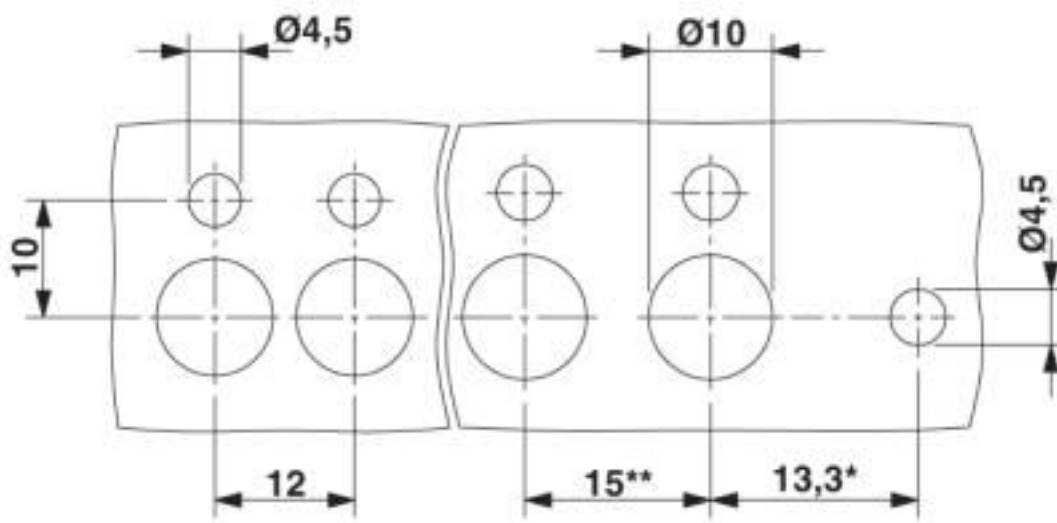
Drawings

Panel feed-through terminal block - UWV 16/S - 3073432

Dimensional drawing



Dimensional drawing



* Only when using the UW...-F flange plate
 ** Dimensions when using the DP-UW... spacer plate

Classifications

eCl@ss

| | |
|---------------|----------|
| eCl@ss 10.0.1 | 27141134 |
| eCl@ss 4.0 | 27141100 |
| eCl@ss 4.1 | 27141100 |

Panel feed-through terminal block - UWV 16/S - 3073432

Classifications

eCl@ss

| | |
|------------|----------|
| eCl@ss 5.0 | 27141100 |
| eCl@ss 5.1 | 27141100 |
| eCl@ss 6.0 | 27141100 |
| eCl@ss 7.0 | 27141134 |
| eCl@ss 8.0 | 27141134 |
| eCl@ss 9.0 | 27141134 |

ETIM

| | |
|----------|----------|
| ETIM 2.0 | EC001283 |
| ETIM 3.0 | EC001283 |
| ETIM 4.0 | EC001283 |
| ETIM 5.0 | EC001283 |
| ETIM 6.0 | EC001283 |
| ETIM 7.0 | EC001283 |

UNSPSC

| | |
|---------------|----------|
| UNSPSC 6.01 | 30211811 |
| UNSPSC 7.0901 | 39121410 |
| UNSPSC 11 | 39121410 |
| UNSPSC 12.01 | 39121410 |
| UNSPSC 13.2 | 39121410 |
| UNSPSC 18.0 | 39121410 |
| UNSPSC 19.0 | 39121410 |
| UNSPSC 20.0 | 39121410 |
| UNSPSC 21.0 | 39121410 |

Approvals

Approvals

Approvals

CSA / EAC / cULus Recognized

Ex Approvals

Approval details

Panel feed-through terminal block - UWV 16/S - 3073432

Approvals

| | | | |
|----------------------------|-------|-----------------------------------------------------------------------------------------------------------------------------------------|----------------|
| CSA | | http://www.csagroup.org/services-industries/product-listing/ | 2618381-158887 |
| | B | C | |
| Nominal voltage UN | 600 V | 600 V | |
| Nominal current IN | 80 A | 80 A | |
| mm ² /AWG/kcmil | 10-4 | 10-4 | |

| | | |
|-----|--|---------|
| EAC | | B.01687 |
|-----|--|---------|

| | | | |
|----------------------------|-------|-------------------------------------------------------------------------------------------------------------------------------------------------------|-----------------|
| cULus Recognized | | http://database.ul.com/cgi-bin/XYV/template/LISEXT/1FRAME/index.htm | E60425-20100423 |
| | B | C | |
| Nominal voltage UN | 600 V | 600 V | |
| Nominal current IN | 85 A | 85 A | |
| mm ² /AWG/kcmil | 10-4 | 10-4 | |

Accessories

Accessories

Flange

Flange cover - UWV 16-F - 3074619



Flange, number of positions: 0, color: gray

Partition plate

Spacer plate - DP-UWV 16 - 3074428



Spacer plate, number of positions: 0, pitch: 0 mm, color: gray

Screwdriver tools

Panel feed-through terminal block - UWV 16/S - 3073432

Accessories

Screwdriver - SZS 1,0X4,0 VDE - 1205066



Screwdriver, slot-headed, VDE insulated, size: 1.0 x 4.0 x 100 mm, 2-component grip, with non-slip grip

Terminal marking

Marker for terminal blocks - UC-TM 12 - 0819194



Marker for terminal blocks, Sheet, white, unlabeled, can be labeled with: BLUEMARK ID COLOR, BLUEMARK ID, BLUEMARK CLED, PLOTMARK, CMS-P1-PLOTTER, mounting type: snap into tall marker groove, for terminal block width: 12 mm, lettering field size: 11.45 x 10.5 mm, Number of individual labels: 40

Marker for terminal blocks - UC-TMF 12 - 0819233



Marker for terminal blocks, Sheet, white, unlabeled, can be labeled with: BLUEMARK ID COLOR, BLUEMARK ID, BLUEMARK CLED, PLOTMARK, CMS-P1-PLOTTER, mounting type: snap into flat marker groove, for terminal block width: 12 mm, lettering field size: 11.45 x 5.1 mm, Number of individual labels: 40

Zack marker strip - ZB 12:UNPRINTED - 0812120



Zack marker strip, Strip, white, unlabeled, can be labeled with: PLOTMARK, CMS-P1-PLOTTER, mounting type: snap into tall marker groove, for terminal block width: 12.2 mm, lettering field size: 12 x 10.5 mm, Number of individual labels: 5

Zack Marker strip, flat - ZBF 12:UNBEDRUCKT - 0809735



Zack Marker strip, flat, Strip, white, unlabeled, can be labeled with: PLOTMARK, CMS-P1-PLOTTER, mounting type: snap into flat marker groove, for terminal block width: 12 mm, lettering field size: 5.15 x 12.15 mm, Number of individual labels: 5

Panel feed-through terminal block - UVV 16/S - 3073432

Accessories

Marker for terminal blocks - TMT 100 R - 0816605



Marker for terminal blocks, Roll, white, unlabeled, can be labeled with: THERMOMARK ROLL 2.0, THERMOMARK ROLL, THERMOMARK ROLL X1, THERMOMARK ROLLMASTER 300/600, THERMOMARK X1.2, THERMOMARK S1.1, unperforated, mounting type: snap into universal marker groove, snap into flat marker groove, for terminal block width: 100 mm, lettering field size: 6.35 x 101.5 mm, Number of individual labels: 1000

Marker for terminal blocks - TMT (EX9,5)R - 0828295



Marker for terminal blocks, Roll, white, unlabeled, can be labeled with: THERMOMARK ROLL 2.0, THERMOMARK ROLL, THERMOMARK ROLL X1, THERMOMARK ROLLMASTER 300/600, THERMOMARK X1.2, mounting type: snap into universal marker groove, snap into tall marker groove, for terminal block width: 50000 mm, lettering field size: 9.5 x 50000 mm, Number of individual labels: 1

Phoenix Contact 2020 © - all rights reserved
<http://www.phoenixcontact.com>

PHOENIX CONTACT GmbH & Co. KG
Flachsmarktstr. 8
32825 Blomberg
Germany
Tel. +49 5235 300
Fax +49 5235 3 41200
<http://www.phoenixcontact.com>

X-ON Electronics

Largest Supplier of Electrical and Electronic Components

Click to view similar products for [Fixed Terminal Blocks](#) category:

Click to view products by [Phoenix Contact](#) manufacturer:

Other Similar products are found below :

[MBE-1512](#) [MBE-154](#) [MBE-156](#) [MBES-153](#) [MBES-156](#) [MH-2512](#) [MHE-132](#) [MHE-163](#) [MI-254 \(35\)](#) [MI-272](#) [880507](#) [MPT-275](#)
[15602-04-08-21](#) [BA311TU](#) [BA411SU](#) [MV-152](#) [MV-252-D](#) [MV-253/NCNOC](#) [MV-254-D](#) [MV-255](#) [MV-462](#) [MV-493](#) [MVE-252](#) [MVE-253](#)
[MVE-273](#) [MVEB-153](#) [1700096](#) [1705142](#) [1712417](#) [1713020](#) [1713088](#) [1745195](#) [1760594](#) [1776118-2](#) [1790852](#) [1-796689-8](#) [1-796692-6](#)
[1800001](#) [1800114](#) [1995279](#) [20020314-C121B01LF](#) [CB2-12](#) [KP03215000J0G](#) [KP04215000J0G](#) [S451](#) [282802-2](#) [29.007](#) [29.116](#) [30.103](#)
[30.106](#)