

## Accessories - MSTBC-MT 0,5-1,0 BA - 3190645

Please be informed that the data shown in this PDF Document is generated from our Online Catalog. Please find the complete data in the user's documentation. Our General Terms of Use for Downloads are valid (<http://phoenixcontact.com/download>)



Module female contact, is inserted into the MSTBC connector shell after the conductor has been crimped, for conductors from 0.5 - 1.0 mm<sup>2</sup>, ribbon contact

Supplied in tape form - please note the drawing.



### Key Commercial Data

Packing unit	4000 pc
Minimum order quantity	4000 pc
GTIN	
GTIN	4017918117436

### Technical data

#### General

Range of articles	MSTBC-MT
Nominal current	12 A (with 1 mm <sup>2</sup> conductor cross section)
Conductor cross section flexible min.	0.5 mm <sup>2</sup>
Max. conductor cross section, flexible	1 mm <sup>2</sup>

#### Connection data

Core diameter including insulation	1.4 mm ... 2.3 mm
Stripping length of individual wires	3.5 mm

#### Material data

Contact material	CuFe
Contact surface material	Tin-plated

#### Standards and Regulations

Connection in acc. with standard	EN-VDE
----------------------------------	--------

#### Environmental Product Compliance

# Accessories - MSTBC-MT 0,5-1,0 BA - 3190645

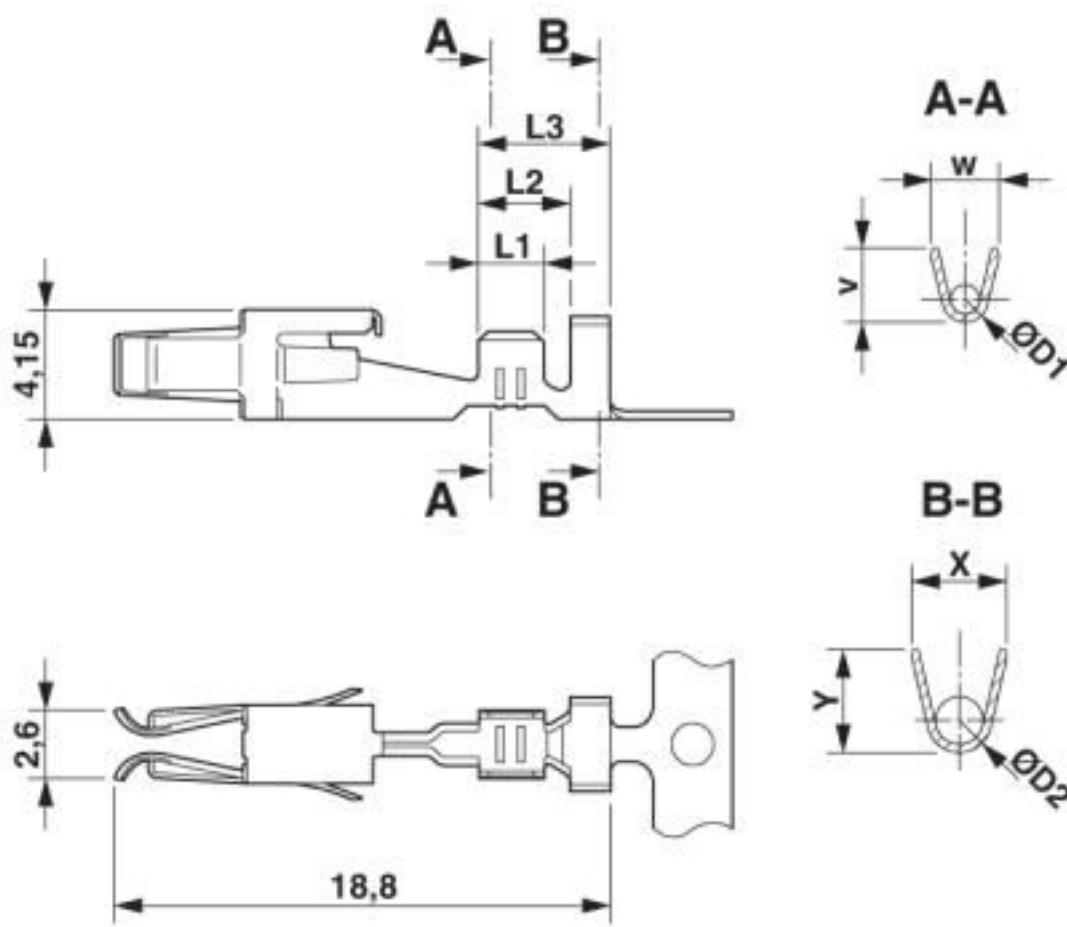
## Technical data

### Environmental Product Compliance

China RoHS	Environmentally friendly use period: unlimited = EFUP-e
	No hazardous substances above threshold values

## Drawings

Dimensional drawing



## Classifications

eCl@ss

eCl@ss 10.0.1	27440204
eCl@ss 4.0	27260700
eCl@ss 4.1	27260700
eCl@ss 5.0	27260700
eCl@ss 5.1	27260700
eCl@ss 6.0	27260700
eCl@ss 7.0	27440309

## Accessories - MSTBC-MT 0,5-1,0 BA - 3190645

### Classifications

#### eCl@ss

eCl@ss 8.0	27440204
eCl@ss 9.0	27440204

#### ETIM

ETIM 3.0	EC001121
ETIM 4.0	EC001121
ETIM 5.0	EC000796
ETIM 6.0	EC000796
ETIM 7.0	EC000796

#### UNSPSC

UNSPSC 6.01	30211810
UNSPSC 7.0901	39121410
UNSPSC 11	39121409
UNSPSC 12.01	39121409
UNSPSC 13.2	39121409
UNSPSC 18.0	39121522
UNSPSC 19.0	39121522
UNSPSC 20.0	39121522
UNSPSC 21.0	39121522

Phoenix Contact 2020 © - all rights reserved  
<http://www.phoenixcontact.com>

PHOENIX CONTACT GmbH & Co. KG  
Flachsmarktstr. 8  
32825 Blomberg  
Germany  
Tel. +49 5235 300  
Fax +49 5235 3 41200  
<http://www.phoenixcontact.com>

## X-ON Electronics

Largest Supplier of Electrical and Electronic Components

*Click to view similar products for [Terminal Block Tools & Accessories](#) category:*

*Click to view products by [Phoenix Contact](#) manufacturer:*

Other Similar products are found below :

[00171430102](#) [00171420102](#) [600HL](#) [600RJ-07](#) [600RJ-11](#) [600RJ-14](#) [600RJS-10](#) [600RJS-12](#) [600RJS-15](#) [600RJS-21](#) [601RJ-09](#) [602SP](#) [602Z](#)  
[604J](#) [CSTSPC1-2](#) [7B941-7](#) [88943-2100](#) [QC102](#) [1437403-6](#) [1437403-9](#) [1437403-8](#) [1453128-1](#) [147832-1](#) [EC0037-000](#) [MT2/H--](#) [MT6/H-N](#)  
[MT6/V-GRND](#) [MT8/H-51-60](#) [BC2-12](#) [BCC-1-8/10](#) [EP2.5/4UN/BG](#) [1707755](#) [1735590](#) [1755480](#) [1789281](#) [1840227](#) [1840230](#) [2-1437402-1](#)  
[JA2-03](#) [JB1-03/J](#) [JB2-04](#) [JB2-05](#) [JB2-07](#) [JB2-09/J](#) [PARALLELJUMPERLINK](#) [JS601](#) [2204082](#) [2302463](#) [2305949](#) [8PCV-BUSHING](#)