

## Ferrule - Al 1,5 - 6 BK - 3200755

Please be informed that the data shown in this PDF Document is generated from our Online Catalog. Please find the complete data in the user's documentation. Our General Terms of Use for Downloads are valid (<http://phoenixcontact.com/download>)



Ferrule, sleeve length: 6 mm, length: 12 mm, color: black

### Your advantages

- The ferrules with plastic sleeve are made from soft tin-plated electrolytic copper
- The insulation reliability of close connections is increased and the splicing of wires is prevented

### Key Commercial Data

|                        |                     |
|------------------------|---------------------|
| Packing unit           | 100 pc              |
| Minimum order quantity | 100 pc              |
| GTIN                   | <br>4 017918 094348 |
| GTIN                   | 4017918094348       |
| Sales Key              | 05                  |

### Technical data

#### Dimensions

|  |         |
|--|---------|
| Length (b)                                   | 12 mm   |
| Maximum stripping length                     | 9 mm    |
| Sleeve length                                | 6 mm    |
| Inner dimension of the insulating collar (d) | 3.4 mm  |
| Ferrule diameter                             | 1.7 mm  |
| Insulating collar thickness                  | 0.3 mm  |
| Sleeve wall thickness                        | 0.15 mm |

#### Ambient conditions

|                            |   |
|----------------------------|---|
| Short-term temperature     | 120 °C                                    |
| Max. permanent temperature | 105 °C (-40°C no load / 0°C dynamic load) |

#### General

# Ferrule - Al 1,5 - 6 BK - 3200755

## Technical data

### General

|  |  |
|--|--|
| Note                                   | Measurement l2 differs from DIN 46228-4: 1990-09 |
| Color                                  | black  |
| Components                             | free from silicone and halogen                   |
| Flammability rating according to UL 94 | HB   |
| Material                               | CU-DHP   |
| Coating                                | tin-plated (galvanic)                            |
| Conductor category                     | Stranded conductors, class 2, 5, 6 / B, C, K, M  |

### Standards and Regulations

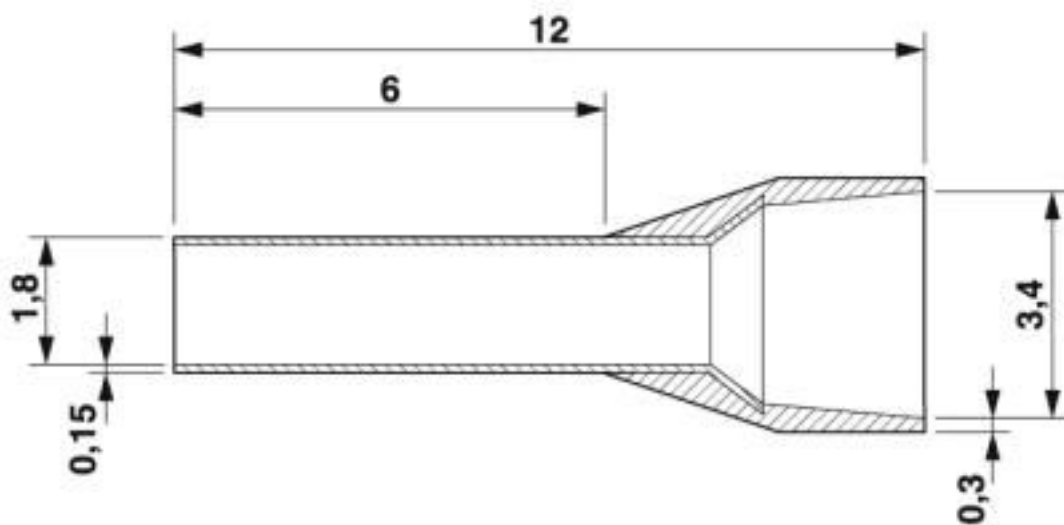
|  |     |
|--|-----|
| Connection in acc. with standard       | CSA |
| Flammability rating according to UL 94 | HB  |

### Environmental Product Compliance

|            |   |
|------------|---|
| China RoHS | Environmentally friendly use period: unlimited = EFUP-e |
|            | No hazardous substances above threshold values          |

## Drawings

Dimensional drawing



## Classifications

eCl@ss

|               |          |
|---------------|----------|
| eCl@ss 10.0.1 | 27400201 |
| eCl@ss 4.0    | 27060700 |
| eCl@ss 4.1    | 27060700 |
| eCl@ss 5.0    | 27400200 |
| eCl@ss 5.1    | 27400200 |

# Ferrule - AI 1,5 - 6 BK - 3200755

## Classifications

### eCl@ss

|            |          |
|------------|----------|
| eCl@ss 6.0 | 27400200 |
| eCl@ss 7.0 | 27400201 |
| eCl@ss 8.0 | 27400201 |
| eCl@ss 9.0 | 27400201 |

### ETIM

|          |          |
|----------|----------|
| ETIM 2.0 | EC000005 |
| ETIM 3.0 | EC000005 |
| ETIM 4.0 | EC000005 |
| ETIM 5.0 | EC000005 |
| ETIM 6.0 | EC000005 |
| ETIM 7.0 | EC000005 |

### UNSPSC

|               |          |
|---------------|----------|
| UNSPSC 6.01   | 30212109 |
| UNSPSC 7.0901 | 27121703 |
| UNSPSC 11     | 27121703 |
| UNSPSC 12.01  | 27121703 |
| UNSPSC 13.2   | 27121703 |
| UNSPSC 18.0   | 27121703 |
| UNSPSC 19.0   | 27121703 |
| UNSPSC 20.0   | 27121703 |
| UNSPSC 21.0   | 27121703 |

## Approvals

### Approvals

---

#### Approvals

CSA / CSAus / cCSAus

---

#### Ex Approvals

---

### Approval details

|     |  |   |        |
|-----|--|---|--------|
| CSA |  | <a href="http://www.csagroup.org/services-industries/product-listing/">http://www.csagroup.org/services-industries/product-listing/</a> | 247397 |
|-----|--|---|--------|

## Ferrule - AI 1,5 - 6 BK - 3200755

### Approvals

|       |   |   |        |
|-------|---|---|--------|
| CSAus |  | <a href="http://www.csagroup.org/services-industries/product-listing/">http://www.csagroup.org/services-industries/product-listing/</a> | 247397 |
|-------|---|---|--------|

|        |   |  |  |
|--------|---|--|--|
| cCSAus |  |  |  |
|--------|---|--|--|

Phoenix Contact 2020 © - all rights reserved  
<http://www.phoenixcontact.com>

PHOENIX CONTACT GmbH & Co. KG  
Flachmarktstr. 8  
32825 Blomberg  
Germany  
Tel. +49 5235 300  
Fax +49 5235 3 41200  
<http://www.phoenixcontact.com>

## X-ON Electronics

Largest Supplier of Electrical and Electronic Components

*Click to view similar products for [Terminals](#) category:*

*Click to view products by [Phoenix Contact](#) manufacturer:*

Other Similar products are found below :

[00-054007-01074-6](#) [00-054007-70206-1](#) [00-054007-70210-8](#) [00-054007-70217-7](#) [00-054007-70226-9](#) [00-054007-70228-3](#) [00-054007-70248-1](#) [00-054007-70256-6](#) [00-054007-70301-3](#) [00-054007-70316-7](#) [0-0320562-0](#) [00-054007-49560-4](#) [00-054007-70209-2](#) [00-054007-70225-2](#) [00-054007-70227-6](#) [00-054007-70231-3](#) [00-054007-70241-2](#) [00-054007-70242-9](#) [00-054007-70244-3](#) [00-054007-70246-7](#) [00-054007-70263-4](#) [00-054007-70288-7](#) [00-054007-70290-0](#) [00-054007-70300-6](#) [00-054007-70304-4](#) [01-2065-1-0216](#) [01-2900-1-04412](#) [00581P0075](#) [600TS-10](#) [60205-1](#) [604200-1](#) [605601-1](#) [60598-1-CUT-TAPE](#) [61314-6-C](#) [61810-3](#) [61-S](#) [61-SN](#) [626-0194](#) [62-NBM-A](#) [62-SN](#) [62-SP](#) [63-S](#) [640179-1](#) [M55155/059I03](#) [M55155/079C01](#) [M55155/099H02](#) [M55155/109H01](#) [M55155/109H02](#) [M55155/12XH05](#) [M55155/16XH02](#)