

Ferrule - AI 16 -12 IV - 3201181

Please be informed that the data shown in this PDF Document is generated from our Online Catalog. Please find the complete data in the user's documentation. Our General Terms of Use for Downloads are valid (<http://phoenixcontact.com/download>)




Ferrule, sleeve length: 12 mm, length: 24 mm, color: ivory

Your advantages

- ✓ The metal sleeves are made from soft tin-plated electrolytic copper
- ✓ In terms of dimensions, these ferrules conform to DIN 46228-4: 1990-09
- ✓ The color code of the plastic insulating collar is based on the French standard NF C 63-023: 1994-02

Key Commercial Data

| | |
|------------------------|---|
| Packing unit | 100 pc |
| Minimum order quantity | 100 pc |
| GTIN |  4 017918 094720 |
| GTIN | 4017918094720 |
| Sales Key | 05 |

Technical data

Dimensions

| | |
|--|--------|
| Length (b) | 24 mm |
| Maximum stripping length | 16 mm |
| Sleeve length | 12 mm |
| Inner dimension of the insulating collar (d) | 8.8 mm |
| Ferrule diameter | 5.8 mm |
| Insulating collar thickness | 0.4 mm |
| Sleeve wall thickness | 0.2 mm |

Ambient conditions

| | |
|----------------------------|---|
| Short-term temperature | 120 °C |
| Max. permanent temperature | 105 °C (-40°C no load / 0°C dynamic load) |

Ferrule - AI 16 -12 IV - 3201181

Technical data

General

| | |
|--|--------------------------------|
| Color | ivory |
| Components | free from silicone and halogen |
| Flammability rating according to UL 94 | HB |
| Material | CU-DHP |
| Coating | tin-plated (galvanic) |

Standards and Regulations

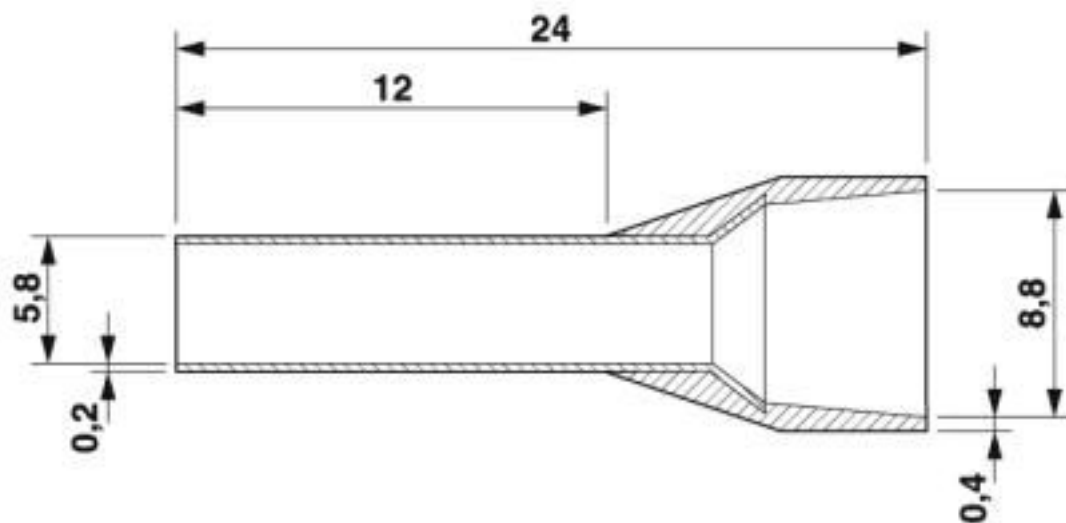
| | |
|--|-----|
| Connection in acc. with standard | CSA |
| Flammability rating according to UL 94 | HB |

Environmental Product Compliance

| | |
|------------|---|
| China RoHS | Environmentally friendly use period: unlimited = EFUP-e |
| | No hazardous substances above threshold values |

Drawings

Dimensional drawing



Classifications

eCl@ss

| | |
|---------------|----------|
| eCl@ss 10.0.1 | 27400201 |
| eCl@ss 4.0 | 27060700 |
| eCl@ss 4.1 | 27060700 |
| eCl@ss 5.0 | 27400200 |
| eCl@ss 5.1 | 27400200 |
| eCl@ss 6.0 | 27400200 |
| eCl@ss 7.0 | 27400201 |

Ferrule - AI 16 -12 IV - 3201181

Classifications

eCl@ss

| | |
|------------|----------|
| eCl@ss 8.0 | 27400201 |
| eCl@ss 9.0 | 27400201 |

ETIM

| | |
|----------|----------|
| ETIM 2.0 | EC000005 |
| ETIM 3.0 | EC000005 |
| ETIM 4.0 | EC000005 |
| ETIM 5.0 | EC000005 |
| ETIM 6.0 | EC000005 |
| ETIM 7.0 | EC000005 |

UNSPSC

| | |
|---------------|----------|
| UNSPSC 6.01 | 30212109 |
| UNSPSC 7.0901 | 27121703 |
| UNSPSC 11 | 27121703 |
| UNSPSC 12.01 | 27121703 |
| UNSPSC 13.2 | 27121703 |
| UNSPSC 18.0 | 27121703 |
| UNSPSC 19.0 | 27121703 |
| UNSPSC 20.0 | 27121703 |
| UNSPSC 21.0 | 27121703 |

Approvals

Approvals

Approvals

CSA / CSAus / cCSAus

Ex Approvals

Approval details

| | | | |
|-----|---|---|--------|
| CSA |  | http://www.csagroup.org/services-industries/product-listing/ | 247397 |
|-----|---|---|--------|

| | | | |
|-------|---|---|--------|
| CSAus |  | http://www.csagroup.org/services-industries/product-listing/ | 247397 |
|-------|---|---|--------|

Ferrule - AI 16 -12 IV - 3201181

Approvals

cCSAus



Phoenix Contact 2020 © - all rights reserved
<http://www.phoenixcontact.com>

PHOENIX CONTACT GmbH & Co. KG
Flachsmarktstr. 8
32825 Blomberg
Germany
Tel. +49 5235 300
Fax +49 5235 3 41200
<http://www.phoenixcontact.com>

X-ON Electronics

Largest Supplier of Electrical and Electronic Components

Click to view similar products for [Terminals](#) category:

Click to view products by [Phoenix Contact](#) manufacturer:

Other Similar products are found below :

[00-054007-01074-6](#) [00-054007-70206-1](#) [00-054007-70210-8](#) [00-054007-70217-7](#) [00-054007-70226-9](#) [00-054007-70228-3](#) [00-054007-70248-1](#) [00-054007-70256-6](#) [00-054007-70301-3](#) [00-054007-70316-7](#) [0-0320562-0](#) [00-054007-49560-4](#) [00-054007-70209-2](#) [00-054007-70225-2](#) [00-054007-70227-6](#) [00-054007-70231-3](#) [00-054007-70241-2](#) [00-054007-70242-9](#) [00-054007-70244-3](#) [00-054007-70246-7](#) [00-054007-70263-4](#) [00-054007-70288-7](#) [00-054007-70290-0](#) [00-054007-70300-6](#) [00-054007-70304-4](#) [01-2065-1-0216](#) [01-2900-1-04412](#) [00581P0075](#) [600TS-10](#) [60205-1](#) [604200-1](#) [605601-1](#) [60598-1-CUT-TAPE](#) [61314-6-C](#) [61810-3](#) [61-S](#) [61-SN](#) [626-0194](#) [62-NBM-A](#) [62-SN](#) [62-SP](#) [63-S](#) [640179-1](#) [M55155/059I03](#) [M55155/079C01](#) [M55155/099H02](#) [M55155/109H01](#) [M55155/109H02](#) [M55155/12XH05](#) [M55155/16XH02](#)