

Ring cable lug - C-RC 70/M10 DIN - 3240117

Please be informed that the data shown in this PDF Document is generated from our Online Catalog. Please find the complete data in the user's documentation. Our General Terms of Use for Downloads are valid (<http://phoenixcontact.com/download>)




Ring cable lug, non-insulated, 70 mm², M10

Your advantages

- ✓ The CRIMPFOX-RC... tools from our CRIMPFOX range of crimping pliers are available for optimum crimping
- ✓ The ring cable lugs without plastic sleeve are made from high-quality tin-plated electrolytic copper for maximum protection against corrosion
- ✓ The hard-soldered press zone enables maximum conductor pull-out values to be achieved

Key Commercial Data

| | |
|------------------------|---|
| Packing unit | 100 pc |
| Minimum order quantity | 100 pc |
| GTIN |  4 046356 453349 |
| GTIN | 4046356453349 |

Technical data

Dimensions

| | |
|---|---------|
| Length (b) | 49 mm |
| Width (a) | 22 mm |
| Maximum stripping length | 21 mm |
| Length of insulation sleeve (c) | 18 mm |
| Inner dimension of the insulating collar (d) | 13 mm |
| Distance between the center and the insulation sleeve (e) | 20 mm |
| Inner diameter (f) | 10.5 mm |
| Material thickness (g) | 2 mm |

Ambient conditions

| | |
|---------------------------------|--------|
| Ambient temperature (operation) | 110 °C |
|---------------------------------|--------|

General

Ring cable lug - C-RC 70/M10 DIN - 3240117

Technical data

General

| | |
|------------------|------------|
| Color | silver |
| Stripping length | 21 mm |
| Material | Copper |
| Coating | tin-plated |

Standards and Regulations

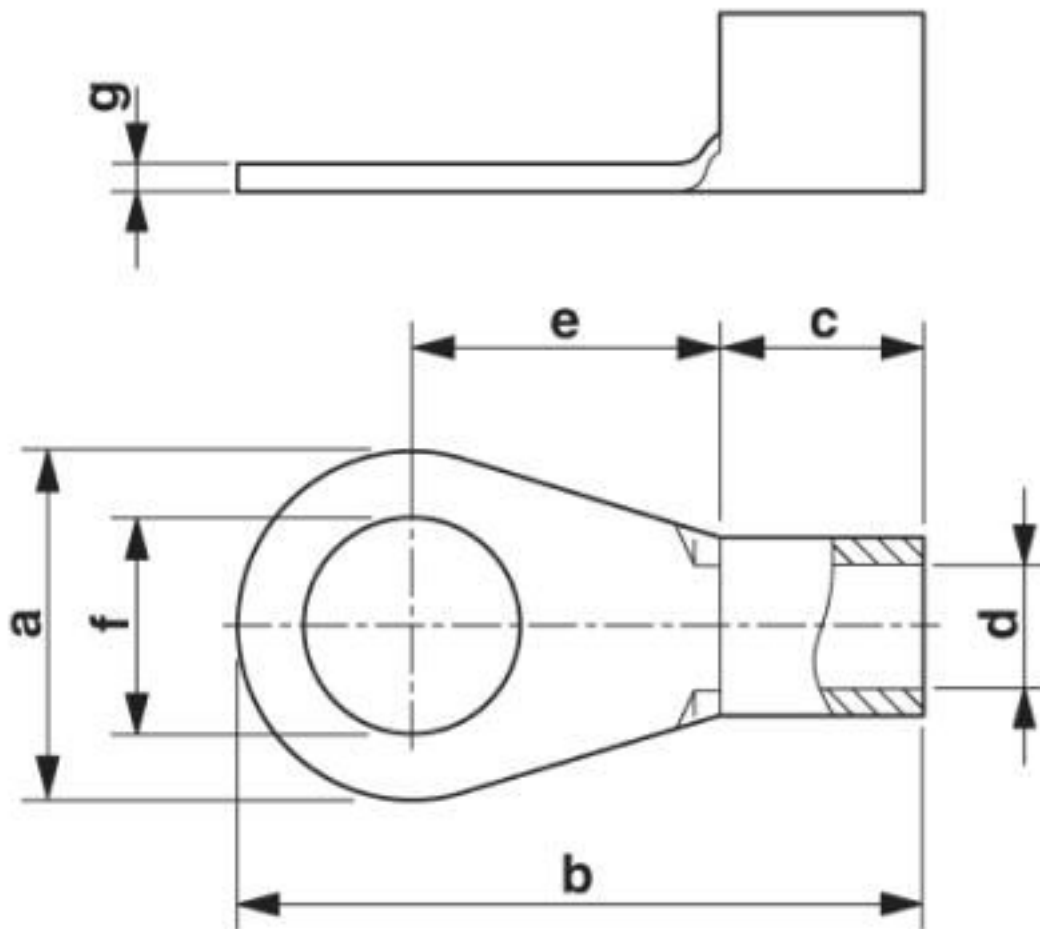
| | |
|------------------------------|-----------|
| Design according to standard | DIN 46234 |
|------------------------------|-----------|

Environmental Product Compliance

| | |
|------------|---|
| China RoHS | Environmentally friendly use period: unlimited = EFUP-e |
| | No hazardous substances above threshold values |

Drawings

Dimensional drawing



Ring cable lug - C-RC 70/M10 DIN - 3240117

Classifications

eCl@ss

| | |
|---------------|----------|
| eCl@ss 10.0.1 | 27400204 |
| eCl@ss 4.0 | 27060700 |
| eCl@ss 4.1 | 27060700 |
| eCl@ss 5.0 | 27400200 |
| eCl@ss 5.1 | 27400200 |
| eCl@ss 6.0 | 27400200 |
| eCl@ss 7.0 | 27400203 |
| eCl@ss 8.0 | 27400204 |
| eCl@ss 9.0 | 27400204 |

ETIM

| | |
|----------|----------|
| ETIM 2.0 | EC000005 |
| ETIM 3.0 | EC000005 |
| ETIM 4.0 | EC001052 |
| ETIM 5.0 | EC001052 |
| ETIM 6.0 | EC001052 |
| ETIM 7.0 | EC001052 |

UNSPSC

| | |
|---------------|----------|
| UNSPSC 6.01 | 30211923 |
| UNSPSC 7.0901 | 27121703 |
| UNSPSC 11 | 27121703 |
| UNSPSC 12.01 | 27121703 |
| UNSPSC 13.2 | 27121707 |
| UNSPSC 18.0 | 27121707 |
| UNSPSC 19.0 | 27121707 |
| UNSPSC 20.0 | 27121707 |
| UNSPSC 21.0 | 27121707 |

Approvals

Approvals

Approvals

EAC

Ex Approvals

Approval details

Ring cable lug - C-RC 70/M10 DIN - 3240117

Approvals

EAC



EAC-Zulassung

Phoenix Contact 2020 © - all rights reserved
<http://www.phoenixcontact.com>

PHOENIX CONTACT GmbH & Co. KG
Flachsmarktstr. 8
32825 Blomberg
Germany
Tel. +49 5235 300
Fax +49 5235 3 41200
<http://www.phoenixcontact.com>

X-ON Electronics

Largest Supplier of Electrical and Electronic Components

Click to view similar products for [Terminals](#) category:

Click to view products by [Phoenix Contact](#) manufacturer:

Other Similar products are found below :

[00-054007-01074-6](#) [00-054007-70206-1](#) [00-054007-70210-8](#) [00-054007-70217-7](#) [00-054007-70226-9](#) [00-054007-70228-3](#) [00-054007-70248-1](#) [00-054007-70256-6](#) [00-054007-70301-3](#) [00-054007-70316-7](#) [0-0320562-0](#) [00-054007-49560-4](#) [00-054007-70209-2](#) [00-054007-70225-2](#) [00-054007-70227-6](#) [00-054007-70231-3](#) [00-054007-70241-2](#) [00-054007-70242-9](#) [00-054007-70244-3](#) [00-054007-70246-7](#) [00-054007-70263-4](#) [00-054007-70288-7](#) [00-054007-70290-0](#) [00-054007-70300-6](#) [00-054007-70304-4](#) [01-2065-1-0216](#) [01-2900-1-04412](#) [00581P0075](#) [600TS-10](#) [60205-1](#) [604200-1](#) [605601-1](#) [60598-1-CUT-TAPE](#) [61314-6-C](#) [61810-3](#) [61-S](#) [61-SN](#) [626-0194](#) [62-NBM-A](#) [62-SN](#) [62-SP](#) [63-S](#) [640179-1](#) [M55155/059I03](#) [M55155/079C01](#) [M55155/099H02](#) [M55155/109H01](#) [M55155/109H02](#) [M55155/12XH05](#) [M55155/16XH02](#)