

Ferrule - AI-TWIN 2X 2,5 -10 GY - 3240669

Please be informed that the data shown in this PDF Document is generated from our Online Catalog. Please find the complete data in the user's documentation. Our General Terms of Use for Downloads are valid (<http://phoenixcontact.com/download>)




Ferrules, for two 2.5 mm² conductors, sleeve length: 10 mm, with plastic collar, galvanically tin-plated, color: gray, color range according to NF C 63-023, CSA-certified

Your advantages

- ✓ Different versions of the individual TWIN ferrules can be selected for specific applications
- ✓ The TWIN ferrules provide a practical way of crimping two conductors in one ferrule
- ✓ These special ferrules allow chain bridges to be set up with ease

Key Commercial Data

| | |
|------------------------|---|
| Packing unit | 100 pc |
| Minimum order quantity | 100 pc |
| GTIN |  4 046356 629980 |
| GTIN | 4046356629980 |

Technical data

Dimensions

| | |
|--|---------|
| Length (b) | 18.5 mm |
| Maximum stripping length | 13 mm |
| Sleeve length | 10 mm |
| Inner dimension of the insulating collar (d) | 4.2 mm |
| Ferrule diameter | 2.9 mm |
| Insulating collar thickness | 0.3 mm |
| Sleeve wall thickness | 0.2 mm |

Ambient conditions

| | |
|----------------------------|---|
| Short-term temperature | 120 °C |
| Max. permanent temperature | 105 °C (-40°C no load / 0°C dynamic load) |

General

Ferrule - AI-TWIN 2X 2,5 -10 GY - 3240669

Technical data

General

| | |
|--|---|
| Color | gray |
| Components | free from silicone and halogen |
| Flammability rating according to UL 94 | HB |
| Material | CU-DHP |
| Coating | tin-plated (galvanic) |
| Conductor category | Stranded conductors, class 2, 5, 6 / B, C, K, M |

Standards and Regulations

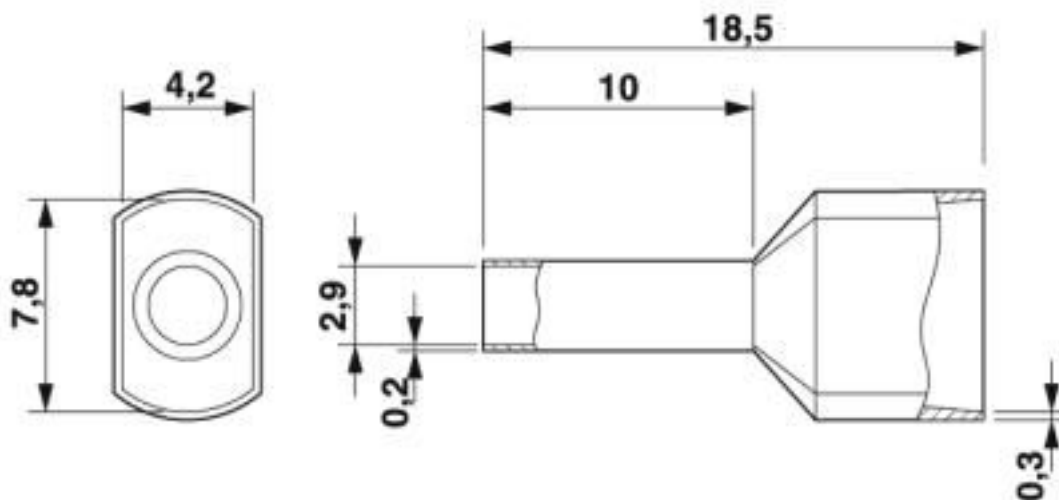
| | |
|--|----|
| Flammability rating according to UL 94 | HB |
|--|----|

Environmental Product Compliance

| | |
|------------|---|
| China RoHS | Environmentally friendly use period: unlimited = EFUP-e |
| | No hazardous substances above threshold values |

Drawings

Dimensional drawing



Classifications

eCl@ss

| | |
|---------------|----------|
| eCl@ss 10.0.1 | 27400201 |
| eCl@ss 4.0 | 27060700 |
| eCl@ss 4.1 | 27060700 |
| eCl@ss 5.0 | 27400200 |
| eCl@ss 5.1 | 27400200 |
| eCl@ss 6.0 | 27400200 |
| eCl@ss 7.0 | 27400201 |
| eCl@ss 8.0 | 27400201 |

Ferrule - AI-TWIN 2X 2,5 -10 GY - 3240669

Classifications

eCl@ss

| | |
|------------|----------|
| eCl@ss 9.0 | 27400201 |
|------------|----------|

ETIM

| | |
|----------|----------|
| ETIM 4.0 | EC000005 |
| ETIM 5.0 | EC000005 |
| ETIM 6.0 | EC000005 |
| ETIM 7.0 | EC000005 |

UNSPSC

| | |
|---------------|----------|
| UNSPSC 6.01 | 30212109 |
| UNSPSC 7.0901 | 27121703 |
| UNSPSC 11 | 27121703 |
| UNSPSC 12.01 | 27121703 |
| UNSPSC 13.2 | 27121703 |
| UNSPSC 18.0 | 27121703 |
| UNSPSC 19.0 | 27121703 |
| UNSPSC 20.0 | 27121703 |
| UNSPSC 21.0 | 27121703 |

Accessories

Accessories

Crimping tool

Crimping pliers - CRIMPFOX CENTRUS 6S - 1213144



Crimping pliers, for uninsulated and insulated ferrules, DIN 46228 Part 1 and 4, from 0.14 mm² ... 6 mm², also for TWIN ferrules up to 2 x 4 mm², automatic cross section adjustment, lateral insertion, equipped with fall protection

Crimping pliers - CRIMPFOX CENTRUS 10S - 1213154



Crimping pliers, for uninsulated and insulated ferrules, DIN 46228 Part 1 and 4, from 0.14 mm² ... 10 mm², also for TWIN ferrules up to 2 x 4 mm², automatic cross section adjustment, lateral insertion, equipped with fall protection

Ferrule - AI-TWIN 2X 2,5 -10 GY - 3240669

Accessories

Crimping pliers - CRIMPFOX CENTRUS 6H - 1213146



Crimping pliers, for uninsulated and insulated ferrules, DIN 46228 Part 1 and 4, from 0.14 mm² ... 6 mm², also for TWIN ferrules up to 2 x 4 mm², automatic cross section adjustment, lateral insertion, equipped with fall protection

Crimping pliers - CRIMPFOX CENTRUS 10H - 1213156



Crimping pliers, for uninsulated and insulated ferrules, DIN 46228 Part 1 and 4, from 0.14 mm² ... 10 mm², also for TWIN ferrules up to 2 x 4 mm², automatic cross section adjustment, lateral insertion, equipped with fall protection

Crimping pliers - CRIMPFOX 6-M - 1212720



Crimping pliers, for ferrules without insulating collar according to DIN 46228 Part 1 and ferrules with insulating collar according to DIN 46228 Part 4, 0.25 mm² ... 6.0 mm², lateral entry, trapezoidal crimp

Crimping pliers - CRIMPFOX 6 - 1212034



Crimping pliers, for ferrules without insulating collar according to DIN 46228 Part 1 and ferrules with insulating collar according to DIN 46228 Part 4, 0.25 mm² ... 6.0 mm², lateral entry, trapezoidal crimp

Crimping pliers - CRIMPFOX 6T - 1212037



Crimping pliers, for ferrules without insulating collar according to DIN 46228 Part 1 and ferrules with insulating collar according to DIN 46228 Part 4, 0.25 mm² ... 6 mm², lateral entry, trapezoidal crimp

Ferrule - AI-TWIN 2X 2,5 -10 GY - 3240669

Accessories

Crimping pliers - CRIMPFOX 6T-F - 1212038



Crimping pliers, for ferrules without insulating collar according to DIN 46228 Part 1 and ferrules with insulating collar according to DIN 46228 Part 4, 0.25 mm² ... 6 mm², front entry, trapezoidal crimp

Crimping pliers - CRIMPFOX 6S-F - 1212043



Crimping pliers, for ferrules without insulating collar according to DIN 46228 Part 1 and ferrules with insulating collar according to DIN 46228 Part 4, 0.5 mm² ... 6 mm², front entry, square crimp

Crimping pliers - CRIMPFOX DUO 10 - 1031721



Crimping pliers, type of contact: Insulated and uninsulated ferrules, standards/specifications: DIN 46228-1, DIN 46228-4, min. cross section: 0.14 mm², max. cross section: 10 mm², for TWIN ferrules up to 2 x 4 mm², automatic cross section adjustment, rotating die, lateral and frontal insertion, compression: Trapezoidal crimp, black/green

Phoenix Contact 2020 © - all rights reserved
<http://www.phoenixcontact.com>

PHOENIX CONTACT GmbH & Co. KG
Flachsmarktstr. 8
32825 Blomberg
Germany
Tel. +49 5235 300
Fax +49 5235 3 41200
<http://www.phoenixcontact.com>

X-ON Electronics

Largest Supplier of Electrical and Electronic Components

Click to view similar products for [Terminals](#) category:

Click to view products by [Phoenix Contact](#) manufacturer:

Other Similar products are found below :

[00-054007-01074-6](#) [00-054007-70206-1](#) [00-054007-70210-8](#) [00-054007-70217-7](#) [00-054007-70226-9](#) [00-054007-70228-3](#) [00-054007-70248-1](#) [00-054007-70256-6](#) [00-054007-70301-3](#) [00-054007-70316-7](#) [0-0320562-0](#) [00-054007-49560-4](#) [00-054007-70209-2](#) [00-054007-70225-2](#) [00-054007-70227-6](#) [00-054007-70231-3](#) [00-054007-70241-2](#) [00-054007-70242-9](#) [00-054007-70244-3](#) [00-054007-70246-7](#) [00-054007-70263-4](#) [00-054007-70288-7](#) [00-054007-70290-0](#) [00-054007-70300-6](#) [00-054007-70304-4](#) [01-2065-1-0216](#) [01-2900-1-04412](#) [00581P0075](#) [600TS-10](#) [60205-1](#) [604200-1](#) [605601-1](#) [60598-1-CUT-TAPE](#) [61314-6-C](#) [61810-3](#) [61-S](#) [61-SN](#) [626-0194](#) [62-NBM-A](#) [62-SN](#) [62-SP](#) [63-S](#) [640179-1](#) [M55155/059I03](#) [M55155/079C01](#) [M55155/099H02](#) [M55155/109H01](#) [M55155/109H02](#) [M55155/12XH05](#) [M55155/16XH02](#)