

## Cover profile carrier - AP 2-TU - 5022630

Please be informed that the data shown in this PDF Document is generated from our Online Catalog. Please find the complete data in the user's documentation. Our General Terms of Use for Downloads are valid (<http://phoenixcontact.com/download>)



Cover profile carrier for mounting on NS 32 or NS 35/7.5 DIN rail for attaching the cover profile AP 2.2 mm thick

### Your advantages

- ✔ Large-surface labeling with AP-ES insert strips
- ✔ Cover profiles provide protection against unauthorized actuation of terminal strips

### Key Commercial Data

Packing unit	50 pc
GTIN	
GTIN	4017918095239

### Technical data

#### Dimensions

Length (b)	55.5 mm
Width (a)	2.1 mm
Height (c)	68.5 mm

#### Ambient conditions

Ambient temperature (operation)	-60 °C ... 85 °C
Ambient temperature (assembly)	-5 °C ... 70 °C

#### General

Color	gray
Flammability rating according to UL 94	V2
Material	PA

#### Standards and Regulations

Flammability rating according to UL 94	V2
--	----

#### Environmental Product Compliance

# Cover profile carrier - AP 2-TU - 5022630

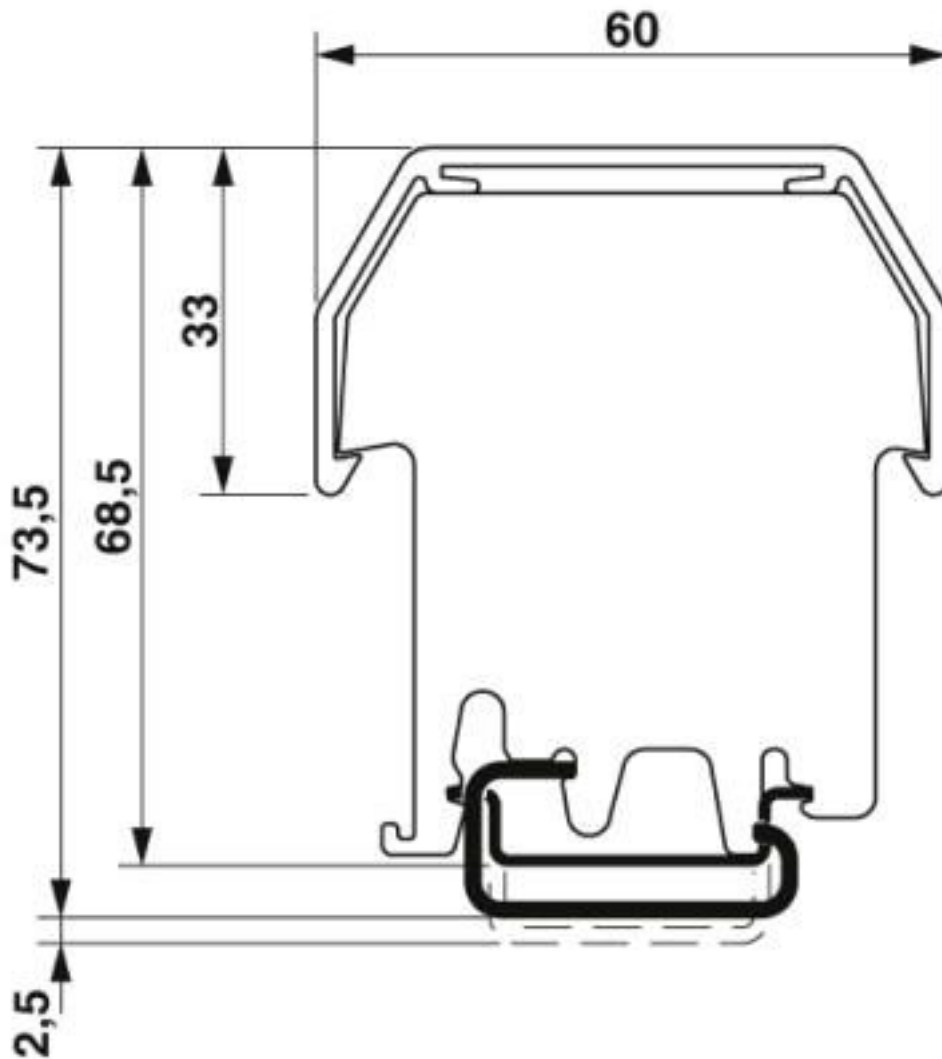
## Technical data

### Environmental Product Compliance

China RoHS	Environmentally friendly use period: unlimited = EFUP-e
	No hazardous substances above threshold values

## Drawings

Dimensional drawing



## Classifications

eCl@ss

eCl@ss 10.0.1	27141190
eCl@ss 4.0	27141100
eCl@ss 4.1	27141100

## Cover profile carrier - AP 2-TU - 5022630

### Classifications

#### eCl@ss

eCl@ss 5.0	27141100
eCl@ss 5.1	27141100
eCl@ss 6.0	27141100
eCl@ss 7.0	27141190
eCl@ss 8.0	27141190
eCl@ss 9.0	27141190

#### ETIM

ETIM 2.0	EC001031
ETIM 3.0	EC001031
ETIM 4.0	EC000012
ETIM 5.0	EC002848
ETIM 6.0	EC002848
ETIM 7.0	EC002848

#### UNSPSC

UNSPSC 6.01	30211923
UNSPSC 7.0901	27121703
UNSPSC 11	27121703
UNSPSC 12.01	27121703
UNSPSC 13.2	39121410
UNSPSC 18.0	39121410
UNSPSC 19.0	39121410
UNSPSC 20.0	39121410
UNSPSC 21.0	39121410

### Accessories

#### Accessories

#### Cover profile

#### Cover profile - AP 2 METER - 5022627



Cover profile, for covering terminal strips, snaps onto cover profile carrier AP 2-TU, can be marked with insert strip AP-ES. Cover profile carriers should be placed at the ends and at intervals of approx. 40 cm. Length: 1 m

## Cover profile carrier - AP 2-TU - 5022630

### Accessories

Cover profile - AP 2 CM - 5022889



Cover profile for covering terminal strips, snaps onto cover profile carrier AP 2-TU, can be labeled with insert strip AP-ES. A cover profile carrier is to be positioned at the ends and at intervals of approx. 40 cm. Maximum supply length: As per customer order

---

Phoenix Contact 2020 © - all rights reserved  
<http://www.phoenixcontact.com>

PHOENIX CONTACT GmbH & Co. KG  
Flachsmarktstr. 8  
32825 Blomberg  
Germany  
Tel. +49 5235 300  
Fax +49 5235 3 41200  
<http://www.phoenixcontact.com>

## X-ON Electronics

Largest Supplier of Electrical and Electronic Components

*Click to view similar products for [Terminal Block Tools & Accessories](#) category:*

*Click to view products by [Phoenix Contact](#) manufacturer:*

Other Similar products are found below :

[00171430102](#) [00171420102](#) [600HL](#) [600RJ-07](#) [600RJ-11](#) [600RJ-14](#) [600RJS-10](#) [600RJS-12](#) [600RJS-15](#) [600RJS-21](#) [601RJ-09](#) [602SP](#) [602Z](#)  
[604J](#) [CSTSPC1-2](#) [7B941-7](#) [88943-2100](#) [QC102](#) [1437403-6](#) [1437403-9](#) [1437403-8](#) [1453128-1](#) [147832-1](#) [EC0037-000](#) [MT2/H--](#) [MT6/H-N](#)  
[MT6/V-GRND](#) [MT8/H-51-60](#) [BC2-12](#) [BCC-1-8/10](#) [EP2.5/4UN/BG](#) [1707755](#) [1735590](#) [1755480](#) [1789281](#) [1840227](#) [1840230](#) [2-1437402-1](#)  
[JA2-03](#) [JB1-03/J](#) [JB2-04](#) [JB2-05](#) [JB2-07](#) [JB2-09/J](#) [PARALLELJUMPERLINK](#) [JS601](#) [2204082](#) [2302463](#) [2305949](#) [8PCV-BUSHING](#)