

## Cover profile - AP 3 METER - 5022643

Please be informed that the data shown in this PDF Document is generated from our Online Catalog. Please find the complete data in the user's documentation. Our General Terms of Use for Downloads are valid (<http://phoenixcontact.com/download>)



Cover profile, for covering terminal strips, snaps onto cover profile carrier AP 3-TU, AP 3-TNS 35, can be marked with insert strip AP-ES. Cover profile carriers should be placed at the ends and at intervals of approx. 40 cm. Length: 1 m



### Key Commercial Data

|              |               |
|--------------|---------------|
| Packing unit | 14 pc         |
| GTIN         |               |
| GTIN         | 4017918095246 |

### Technical data

#### Dimensions

|            |         |
|------------|---------|
| Length (b) | 1000 mm |
| Width (a)  | 93.5 mm |
| Depth      | 44.5 mm |

#### Ambient conditions

|                                 |                  |
|---------------------------------|------------------|
| Ambient temperature (operation) | -15 °C ... 65 °C |
|---------------------------------|------------------|

#### General

|  |             |
|--|-------------|
| Color                                  | transparent |
| Flammability rating according to UL 94 | V0          |
| Material                               | PVC         |

#### Standards and Regulations

|  |    |
|--|----|
| Flammability rating according to UL 94 | V0 |
|--|----|

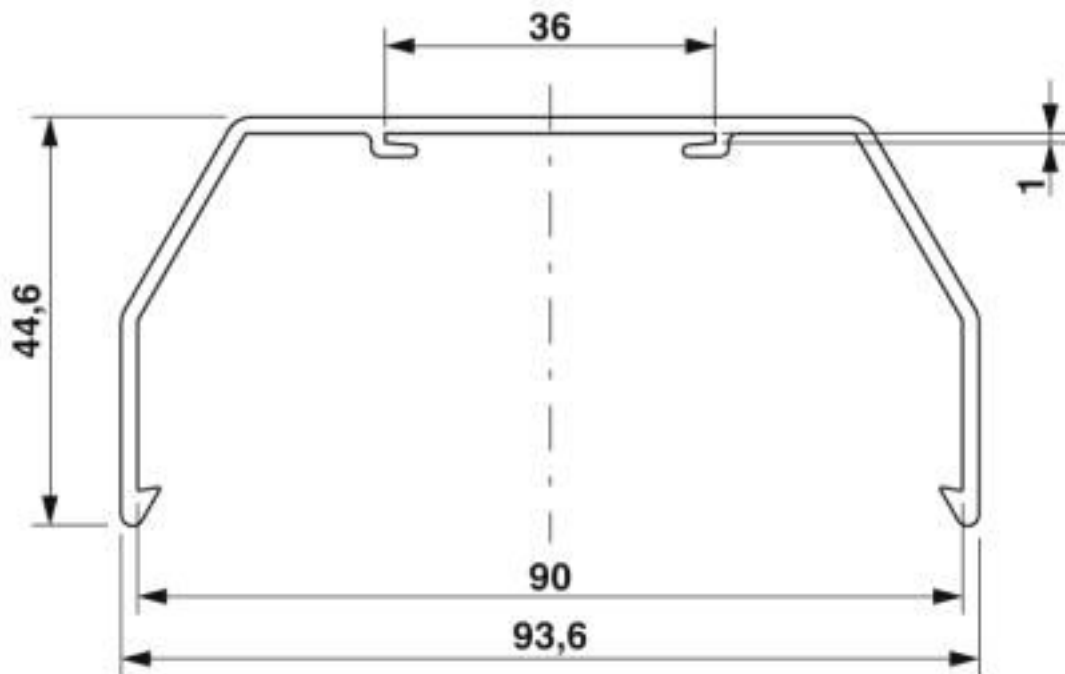
#### Environmental Product Compliance

|            |   |
|------------|---|
| China RoHS | Environmentally friendly use period: unlimited = EFUP-e |
|            | No hazardous substances above threshold values          |

### Drawings

# Cover profile - AP 3 METER - 5022643

Dimensional drawing



## Classifications

### eCl@ss

|               |          |
|---------------|----------|
| eCl@ss 10.0.1 | 27141190 |
| eCl@ss 4.0    | 27141100 |
| eCl@ss 4.1    | 27141100 |
| eCl@ss 5.0    | 27141100 |
| eCl@ss 5.1    | 27141100 |
| eCl@ss 6.0    | 27141100 |
| eCl@ss 7.0    | 27141190 |
| eCl@ss 8.0    | 27141190 |
| eCl@ss 9.0    | 27141190 |

### ETIM

|          |          |
|----------|----------|
| ETIM 2.0 | EC001031 |
| ETIM 3.0 | EC001031 |
| ETIM 4.0 | EC000007 |
| ETIM 5.0 | EC002848 |
| ETIM 6.0 | EC002848 |
| ETIM 7.0 | EC002848 |

### UNSPSC

|               |          |
|---------------|----------|
| UNSPSC 6.01   | 30211923 |
| UNSPSC 7.0901 | 27121703 |

# Cover profile - AP 3 METER - 5022643

## Classifications

### UNSPSC

|              |          |
|--------------|----------|
| UNSPSC 11    | 27121703 |
| UNSPSC 12.01 | 27121703 |
| UNSPSC 13.2  | 39121410 |
| UNSPSC 18.0  | 39121410 |
| UNSPSC 19.0  | 39121410 |
| UNSPSC 20.0  | 39121410 |
| UNSPSC 21.0  | 39121410 |

## Accessories

### Accessories

#### Cover profile

##### Insert strip - AP-ES - 5022685



Insert strip, white, unlabeled, mounting type: insert, for terminal block width: 35 mm, lettering field size: 35 x 500 mm

---

#### Cover profile carrier

##### Cover profile carrier - AP 3-TU - 5022656



Cover profile carrier for mounting on NS 32 or NS 35/7.5 DIN rail for attaching the cover profile AP 3.2 mm thick

---

##### Cover - AP 3-TNS 35 - 5022672



Sealable cover profile, for mounting on NS 35/7.5 DIN rail and for fixing the cover profile AP 3, with plastic knurled nut M5, space requirement: 13 mm

---

##### Cover - AP 3-TNS 32 - 5022669



Sealable cover profile, for mounting on NS 32 DIN rail and for fixing the cover profile AP 3, with plastic knurled nut M5, space requirement: 13 mm

## Cover profile - AP 3 METER - 5022643

### Accessories

---

Cover profile carrier - AP 3-TU KS - 3034373



Sealable cover profile, for mounting on NS 35/7,5 DIN rail and for fixing the cover profile AP 3, with plastic knurled nut M5, space requirement: 2 mm

---

Phoenix Contact 2020 © - all rights reserved  
<http://www.phoenixcontact.com>

PHOENIX CONTACT GmbH & Co. KG  
Flachsmarktstr. 8  
32825 Blomberg  
Germany  
Tel. +49 5235 300  
Fax +49 5235 3 41200  
<http://www.phoenixcontact.com>

## X-ON Electronics

Largest Supplier of Electrical and Electronic Components

*Click to view similar products for [Terminal Block Tools & Accessories](#) category:*

*Click to view products by [Phoenix Contact](#) manufacturer:*

Other Similar products are found below :

[00171430102](#) [00171420102](#) [600HL](#) [600RJ-07](#) [600RJ-11](#) [600RJ-14](#) [600RJS-10](#) [600RJS-12](#) [600RJS-15](#) [600RJS-21](#) [601RJ-09](#) [602SP](#) [602Z](#)  
[604J](#) [CSTSPC1-2](#) [7B941-7](#) [88943-2100](#) [QC102](#) [1437403-6](#) [1437403-9](#) [1437403-8](#) [1453128-1](#) [147832-1](#) [EC0037-000](#) [MT2/H--](#) [MT6/H-N](#)  
[MT6/V-GRND](#) [MT8/H-51-60](#) [BC2-12](#) [BCC-1-8/10](#) [EP2.5/4UN/BG](#) [1707755](#) [1735590](#) [1755480](#) [1789281](#) [1840227](#) [1840230](#) [2-1437402-1](#)  
[JA2-03](#) [JB1-03/J](#) [JB2-04](#) [JB2-05](#) [JB2-07](#) [JB2-09/J](#) [PARALLELJUMPERLINK](#) [JS601](#) [2204082](#) [2302463](#) [2305949](#) [8PCV-BUSHING](#)