

## Printed-circuit board connector - BCP-381- 3 GN - 5447874

Please be informed that the data shown in this PDF Document is generated from our Online Catalog. Please find the complete data in the user's documentation. Our General Terms of Use for Downloads are valid (<http://phoenixcontact.com/download>)




PCB connector, nominal current: 8 A, rated voltage (III/2): 160 V, nominal cross section: 1.5 mm<sup>2</sup>, number of positions: 3, pitch: 3.81 mm, connection method: Screw connection with tension sleeve, color: pastel green, contact surface: Tin

The figure shows a 5-pos. version of the product in gray



### Key Commercial Data

|                                      |   |
|--------------------------------------|---|
| Packing unit                         | 1 pc  |
| Minimum order quantity               | 100 pc  |
| GTIN                                 | <br>4 046356 826525 |
| GTIN                                 | 4046356826525   |
| Weight per Piece (excluding packing) | 2.400 g   |
| Custom tariff number                 | 85366990  |
| Country of origin                    | China   |

### Technical data

#### Dimensions

|              |          |
|--------------|----------|
| Length [ l ] | 16.1 mm  |
| Width [ w ]  | 12.22 mm |
| Height [ h ] | 11.1 mm  |
| Pitch        | 3.81 mm  |
| Dimension a  | 7.62 mm  |

#### General

|                     |     |
|---------------------|-----|
| Range of articles   | BCP |
| Number of positions | 3   |

# Printed-circuit board connector - BCP-381- 3 GN - 5447874

## Technical data

### General

|  |  |
|--|--|
| Connection method                      | Screw connection with tension sleeve                   |
| Insulating material group              | I  |
| Rated surge voltage (III/3)            | 2.5 kV   |
| Rated surge voltage (III/2)            | 2.5 kV   |
| Rated surge voltage (II/2)             | 2.5 kV   |
| Rated voltage (III/3)                  | 160 V  |
| Rated voltage (III/2)                  | 160 V  |
| Rated voltage (II/2)                   | 320 V  |
| Connection in acc. with standard       | EN-VDE   |
| Nominal current $I_N$                  | 8 A  |
| Nominal cross section                  | 1.5 mm <sup>2</sup>                                    |
| Maximum load current                   | 8 A (with 1.5 mm <sup>2</sup> conductor cross section) |
| Insulating material                    | PA   |
| Flammability rating according to UL 94 | V0   |
| Internal cylindrical gage              | A1   |
| Stripping length                       | 7 mm   |
| Screw thread                           | M2   |
| Tightening torque, min                 | 0.22 Nm  |
| Tightening torque max                  | 0.25 Nm  |

### Connection data

|   |                      |
|---|----------------------|
| Conductor cross section solid min.  | 0.2 mm <sup>2</sup>  |
| Conductor cross section solid max.  | 1.5 mm <sup>2</sup>  |
| Conductor cross section flexible min.   | 0.2 mm <sup>2</sup>  |
| Conductor cross section flexible max.   | 1.5 mm <sup>2</sup>  |
| Conductor cross section flexible, with ferrule without plastic sleeve min.                            | 0.25 mm <sup>2</sup> |
| Conductor cross section flexible, with ferrule without plastic sleeve max.                            | 1.5 mm <sup>2</sup>  |
| Conductor cross section flexible, with ferrule with plastic sleeve min.                               | 0.25 mm <sup>2</sup> |
| Conductor cross section flexible, with ferrule with plastic sleeve max.                               | 0.5 mm <sup>2</sup>  |
| Conductor cross section AWG min.  | 24                   |
| Conductor cross section AWG max.  | 16                   |
| 2 conductors with same cross section, solid min.  | 0.2 mm <sup>2</sup>  |
| 2 conductors with same cross section, solid max.  | 0.5 mm <sup>2</sup>  |
| 2 conductors with same cross section, stranded min.   | 0.25 mm <sup>2</sup> |
| 2 conductors with same cross section, stranded max.   | 0.75 mm <sup>2</sup> |
| Two conductors with the same cross section stranded, with ferrule and without plastic sleeve, minimum | 0.25 mm <sup>2</sup> |

# Printed-circuit board connector - BCP-381- 3 GN - 5447874

## Technical data

### Connection data

|  |                      |
|--|----------------------|
| Two conductors with the same cross section stranded, with ferrule and without plastic sleeve, maximum  | 0.34 mm <sup>2</sup> |
| Two conductors with the same cross section, flexible, with TWIN ferrules, with plastic sleeve, minimum | 0.5 mm <sup>2</sup>  |
| Two conductors with the same cross section, flexible, with TWIN ferrules, with plastic sleeve, maximum | 0.5 mm <sup>2</sup>  |

### Standards and Regulations

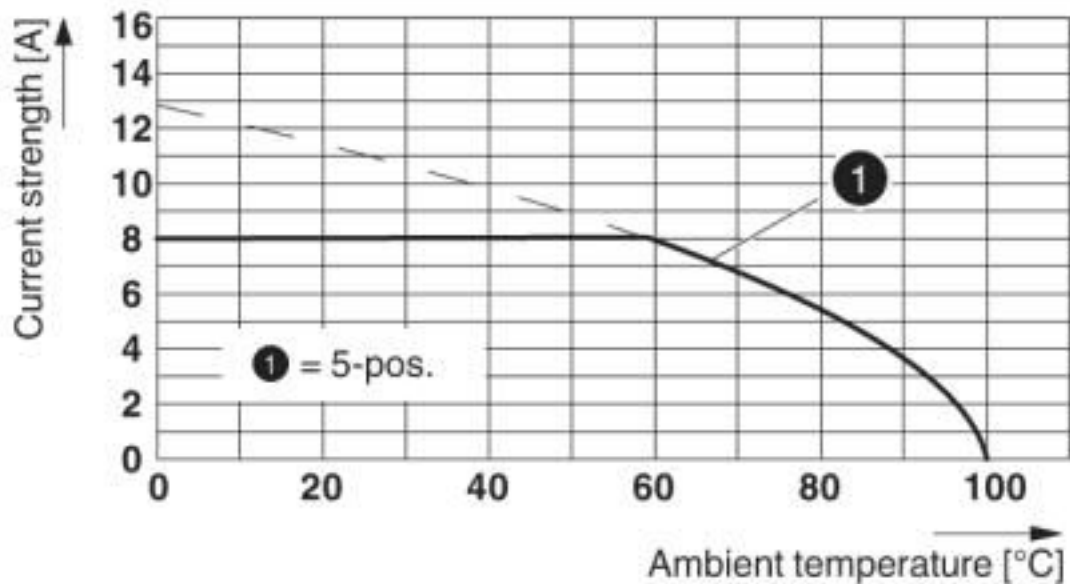
|  |        |
|--|--------|
| Connection in acc. with standard       | EN-VDE |
|  | CUL    |
| Flammability rating according to UL 94 | V0     |

### Environmental Product Compliance

|            |   |
|------------|---|
| REACH SVHC | Lead 7439-92-1  |
| China RoHS | Environmentally Friendly Use Period = 50 years  |
|            | For details about hazardous substances go to tab "Downloads", Category "Manufacturer's declaration" |

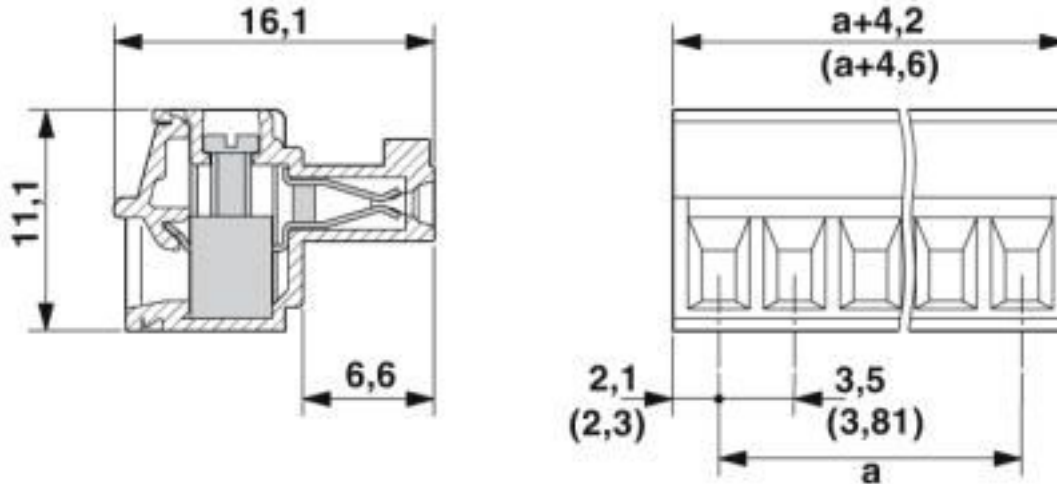
## Drawings

Diagram



# Printed-circuit board connector - BCP-381- 3 GN - 5447874

Dimensional drawing



## Classifications

eCl@ss

|               |          |
|---------------|----------|
| eCl@ss 10.0.1 | 27440309 |
| eCl@ss 4.0    | 27260700 |
| eCl@ss 4.1    | 27260700 |
| eCl@ss 5.0    | 27260700 |
| eCl@ss 5.1    | 27260700 |
| eCl@ss 6.0    | 27260700 |
| eCl@ss 7.0    | 27440309 |
| eCl@ss 8.0    | 27440309 |
| eCl@ss 9.0    | 27440309 |

ETIM

|          |          |
|----------|----------|
| ETIM 3.0 | EC001121 |
| ETIM 4.0 | EC002637 |
| ETIM 5.0 | EC002638 |
| ETIM 6.0 | EC002638 |
| ETIM 7.0 | EC002638 |

UNSPSC

|               |          |
|---------------|----------|
| UNSPSC 6.01   | 30211801 |
| UNSPSC 7.0901 | 39121432 |
| UNSPSC 11     | 39121432 |
| UNSPSC 12.01  | 39121409 |

# Printed-circuit board connector - BCP-381- 3 GN - 5447874

## Classifications

### UNSPSC

|             |          |
|-------------|----------|
| UNSPSC 13.2 | 39121409 |
| UNSPSC 18.0 | 39121409 |
| UNSPSC 19.0 | 39121409 |
| UNSPSC 20.0 | 39121409 |
| UNSPSC 21.0 | 39121409 |

## Approvals


### Approvals


#### Approvals

IECEE CB Scheme / VDE Gutachten mit Fertigungsüberwachung / EAC / cULus Recognized


#### Ex Approvals

### Approval details

|                 |   |   |           |
|-----------------|---|---|-----------|
| IECEE CB Scheme |  | <a href="http://www.iecee.org/">http://www.iecee.org/</a> | DE1-58974 |
|-----------------|---|---|-----------|

|   |   |   |          |
|---|---|---|----------|
| VDE Gutachten mit Fertigungsüberwachung |  | <a href="http://www2.vde.com/de/Institut/Online-Service/VDE-gepruefteProdukte/Seiten/Online-Suche.aspx">http://www2.vde.com/de/Institut/Online-Service/VDE-gepruefteProdukte/Seiten/Online-Suche.aspx</a> | 40040694 |
|---|---|---|----------|

|                            |         |
|----------------------------|---------|
| Nominal voltage UN         | 160 V   |
| Nominal current IN         | 8 A     |
| mm <sup>2</sup> /AWG/kcmil | 0.2-1.5 |

|     |   |         |
|-----|---|---------|
| EAC |  | B.01687 |
|-----|---|---------|

# Printed-circuit board connector - BCP-381- 3 GN - 5447874

## Approvals

|                            |       |   |                 |
|----------------------------|-------|---|-----------------|
| cULus Recognized           |       | <a href="http://database.ul.com/cgi-bin/XYV/template/LISEXT/1FRAME/index.htm">http://database.ul.com/cgi-bin/XYV/template/LISEXT/1FRAME/index.htm</a> | E60425-20071007 |
|                            | B     | D   |                 |
| Nominal voltage UN         | 250 V | 300 V   |                 |
| Nominal current IN         | 8 A   | 8 A   |                 |
| mm <sup>2</sup> /AWG/kcmil | 30-14 | 30-14   |                 |

## Accessories

### Accessories

#### Labeled terminal marker

Marker card - SK 3,5/2,8:FORTL.ZAHLEN - 0804073



Marker card, Card, white, labeled, horizontal: consecutive numbers 1 ... 10, 11 ... 20, etc. up to 91 ... 99, mounting type: adhesive, for terminal block width: 3.5 mm, lettering field size: 3.5 x 2.8 mm

---

### Screwdriver tools

Screwdriver - SZS 0,4X2,5 VDE - 1205037



Screwdriver, slot-headed, VDE insulated, size: 0.4 x 2.5 x 80 mm, 2-component grip, with non-slip grip

## X-ON Electronics

Largest Supplier of Electrical and Electronic Components

*Click to view similar products for [Pluggable Terminal Blocks](#) category:*

*Click to view products by [Phoenix Contact](#) manufacturer:*

Other Similar products are found below :

[57.404.7553](#) [57.504.0053.7](#) [57.510.0053](#) [57.910.6153](#) [01.112.1453](#) [CTB932VE/6](#) [MC 1.5/ 6-ST-3.5 GY AU](#) [ET02015000J0G](#) [734-104](#) [734-302](#) [734-304](#) [8-141-P](#) [FKCT 2.5/ 3-ST KMGY](#) [860505](#) [860508](#) [860516](#) [860810](#) [861908](#) [GBPACX-12](#) [93.731.4953.0](#) [PV05-5,08-K](#) [PVP02-5,00](#) [PVP04-3,50](#) [PVS02-5,00](#) [1-1986160-3](#) [H-10](#) [ELFH09150](#) [ELFH16150](#) [ELFP03110](#) [ELFT06250](#) [ELFT07250](#) [ELVF09400](#) [ELVP03100](#) [ELXH03100](#) [ELXH071G0E](#) [ELXP041G0](#) [ELXT046G0](#) [1700101](#) [1700410](#) [1700425](#) [1703176](#) [1705229](#) [1710175](#) [1714537](#) [1717806](#) [1719600](#) [1729386](#) [1734692](#) [1734795](#) [1736036](#)