

# AXL F BP SE6 - Module carrier

1088136

<https://www.phoenixcontact.com/gb/products/1088136>

Please be informed that the data shown in this PDF document is generated from our online catalog. Please find the complete data in the user documentation. Our general terms of use for downloads are valid.

Axioline F, Backplane, 6 slots for Axioline Smart Elements, transmission speed in the local bus: 100 Mbps, degree of protection: IP20



## Product description

The Axioline F backplane is intended for use in a station that is opened by an Axioline F bus coupler or an Axiocontrol. The backplane has six "Smart Element Interface" slots to accept Axioline Smart Elements.

## Your advantages

- Preparing the communications power supply for the plugged-in Axioline Smart Elements
- Supply feed-in for the peripheral supply U<sub>P</sub> for the plugged in Axioline Smart Elements

## Commercial data

Item number	1088136
Packing unit	1 pc
Minimum order quantity	1 pc
Sales key	DRIBU1
Product key	DRIBU1
GTIN	4055626886381
Weight per piece (including packing)	145 g
Weight per piece (excluding packing)	112 g
Customs tariff number	85389091
Country of origin	DE

## Technical data

### Dimensions

Dimensional drawing	
Width	55 mm
Height	122.4 mm
Depth	36.9 mm
Note on dimensions	The depth applies when a TH 35-7.5 DIN rail is used (in accordance with EN 60715).
Complete module width	55 mm
Complete module height	124.6 mm
Complete module depth	76.1 mm
Note	The depth applies when a TH 35-7.5 DIN rail is used (in accordance with EN 60715).

### Notes

#### Utilization restriction

EMC note	EMC: class A product, see manufacturer's declaration in the download area
----------	---

### Interfaces

#### Axioline F local bus

Number of interfaces	2
Connection method	Bus base module
Transmission speed	100 Mbps

#### Smart Element interface

Number of interfaces	6
Connection method	Card edge connector

### Product properties

Product type	I/O component
Product family	Axioline F
Type	block modular
Mounting position	Wall mounting on horizontal or vertical DIN rail
Special properties	6 slots for Axioline Smart Elements

#### Insulation characteristics

1088136

<https://www.phoenixcontact.com/gb/products/1088136>

Overvoltage category	II (IEC 60664-1, EN 60664-1)
Pollution degree	2 (IEC 60664-1, EN 60664-1)

## Electrical properties

Maximum power dissipation for nominal condition	0.85 W
---	--------

### Potentials: Axioline F local bus supply ( $U_{BUS}$ )

Supply voltage	5 V DC
----------------	--------

### Potentials: Communications power supply of the Smart Elements ( $U_{SE}$ )

Supply voltage	3.3 V DC (using card edge connectors)
----------------	---------------------------------------

### Potentials: I/O supply feed-in ( $U_P$ )

Supply voltage	24 V DC
Supply voltage range	19.2 V DC ... 30 V DC (including all tolerances, including ripple)
Current draw	max. 16 A (provide external protection)
	max. 12 A (Applications with UL approval, external fusing)
Current consumption	min. 1.5 mA (without connected Smart Elements, with nominal voltage)
Power consumption	max. 480 W
	max. 360 W (Applications with UL approval)
Protective circuit	Surge protection; Suppressor diode

### Electrical isolation/isolation of the voltage ranges

Test voltage: 5 V supply of the local bus ( $U_{BUS}$ ) / 24 V supply (I/Os)	500 V AC, 50 Hz, 1 min.
Test voltage: 5 V supply of the local bus ( $U_{BUS}$ ) / functional ground	500 V AC, 50 Hz, 1 min.
Test voltage: 24 V supply (I/O) / functional ground	500 V AC, 50 Hz, 1 min.

## Connection data

### Connection technology

Connection name	I/O supply feed-in ( $U_P$ )
Note on the connection method	Please observe the information provided on conductor cross sections in the "Axioline F: system and installation" user manual.

### Conductor connection

Connection method	Push-in connection
Conductor cross section rigid	0.5 mm <sup>2</sup> ... 2.5 mm <sup>2</sup>
Conductor cross section flexible	0.5 mm <sup>2</sup> ... 2.5 mm <sup>2</sup>
Conductor cross section AWG	20 ... 14
Stripping length	8 mm

### I/O supply feed-in ( $U_P$ )

Connection method	Push-in connection
Note on the connection method	Please observe the information provided on conductor cross sections in the "Axioline F: system and installation" user manual.
Conductor cross section, rigid	0.5 mm <sup>2</sup> ... 2.5 mm <sup>2</sup>

# AXL F BP SE6 - Module carrier



1088136

<https://www.phoenixcontact.com/gb/products/1088136>

Conductor cross section, flexible	0.5 mm <sup>2</sup> ... 2.5 mm <sup>2</sup>
Conductor cross section AWG	20 ... 14
Stripping length	8 mm

## Environmental and real-life conditions

### Ambient conditions

Ambient temperature (operation)	-25 °C ... 60 °C
Degree of protection	IP20
Air pressure (operation)	70 kPa ... 106 kPa (up to 3000 m above sea level)
Air pressure (storage/transport)	70 kPa ... 106 kPa (up to 3000 m above sea level)
Ambient temperature (storage/transport)	-40 °C ... 85 °C
Permissible humidity (operation)	5 % ... 95 % (non-condensing)
Permissible humidity (storage/transport)	5 % ... 95 % (non-condensing)

## Standards and regulations

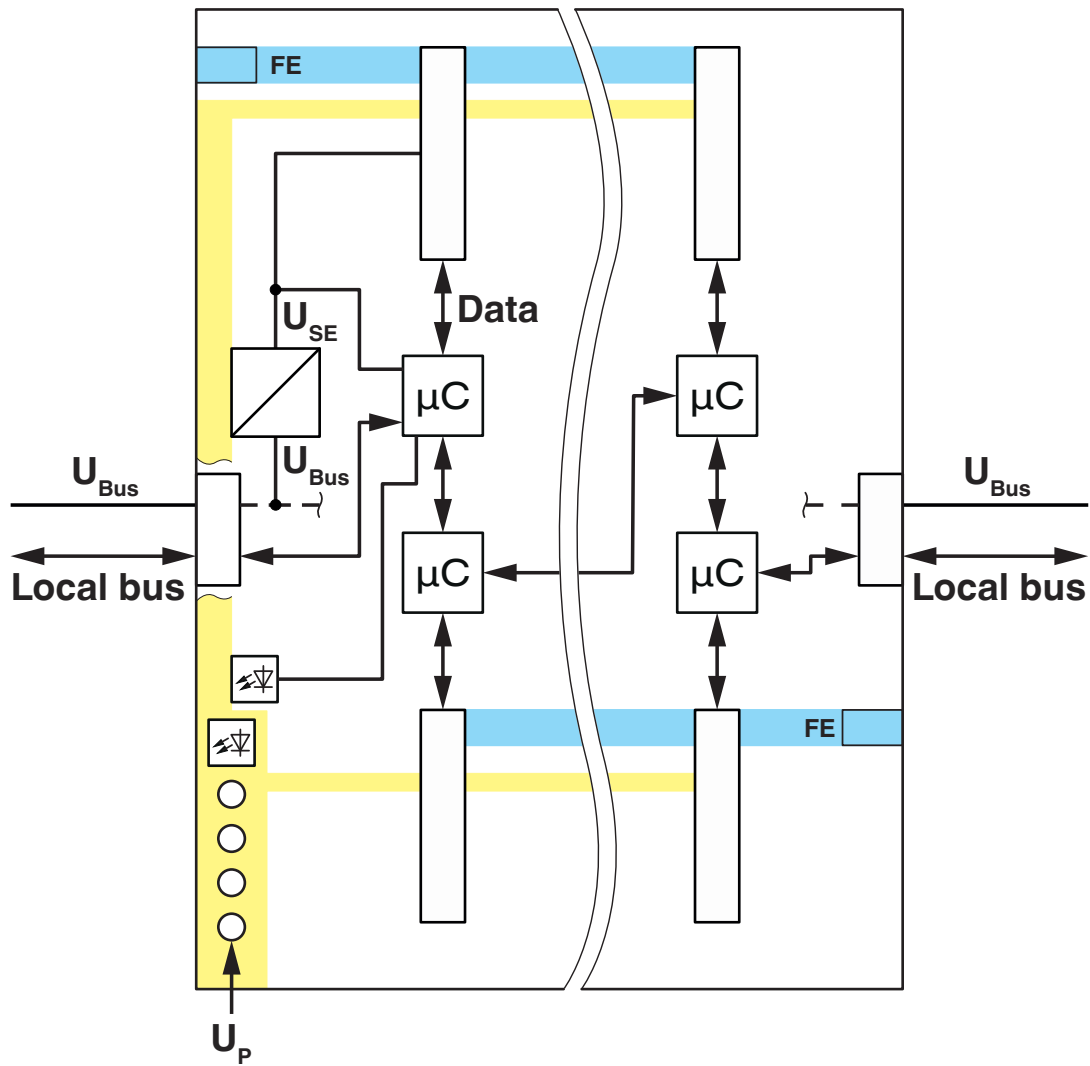
Protection class	III (IEC 61140, EN 61140, VDE 0140-1)
------------------	---------------------------------------

## Mounting

Mounting type	DIN rail mounting
Mounting position	Wall mounting on horizontal or vertical DIN rail

## Drawings

Block diagram



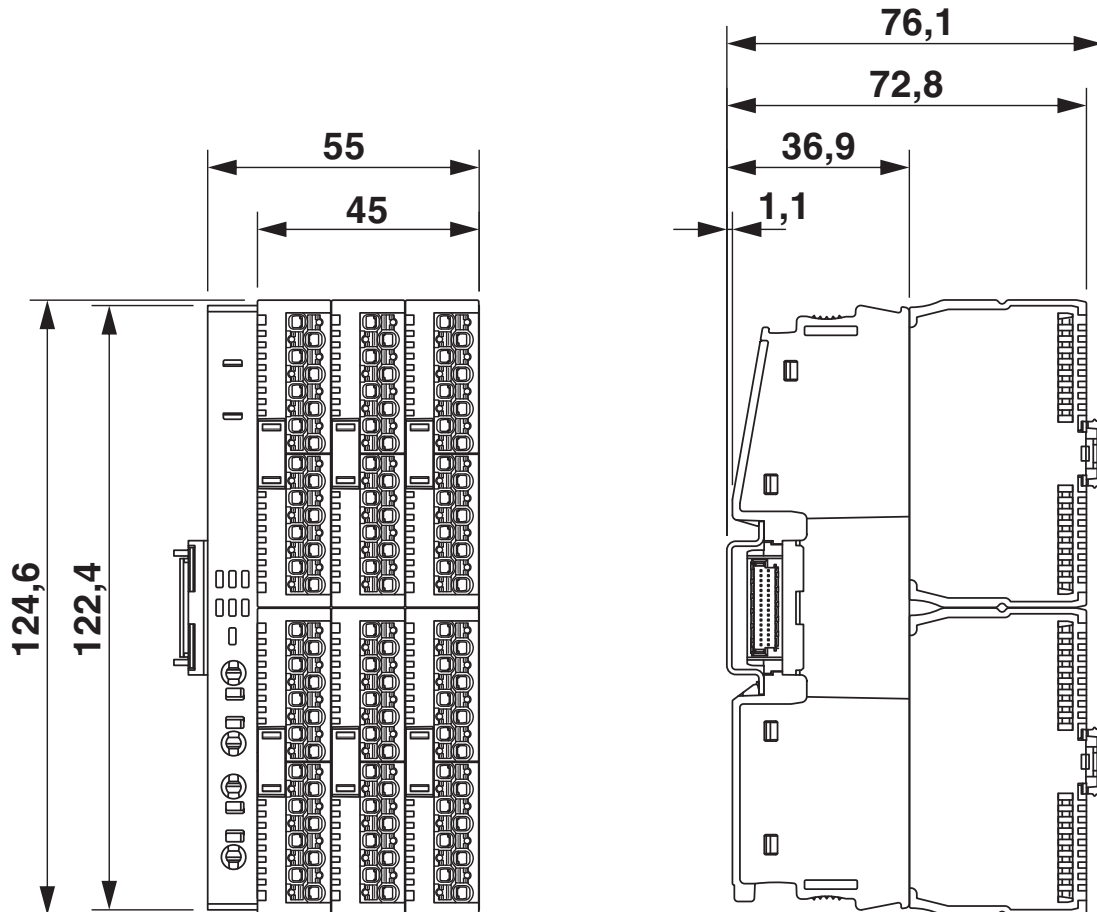
Basic circuit diagram

# AXL F BP SE6 - Module carrier

1088136

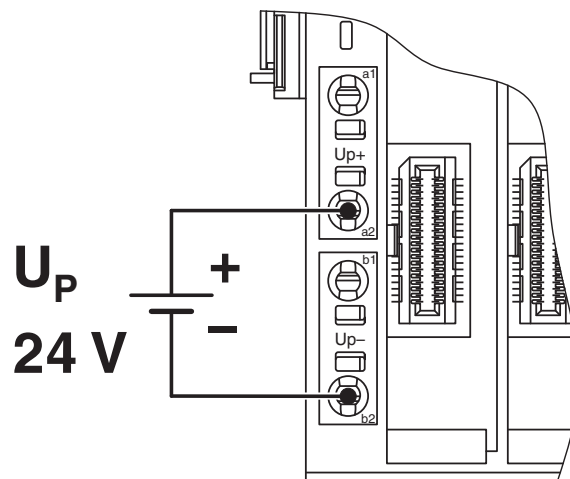
<https://www.phoenixcontact.com/gb/products/1088136>

## Dimensional drawing



Dimensions (in mm) with attached Axiline Smart Elements

## Connection diagram



Connection example

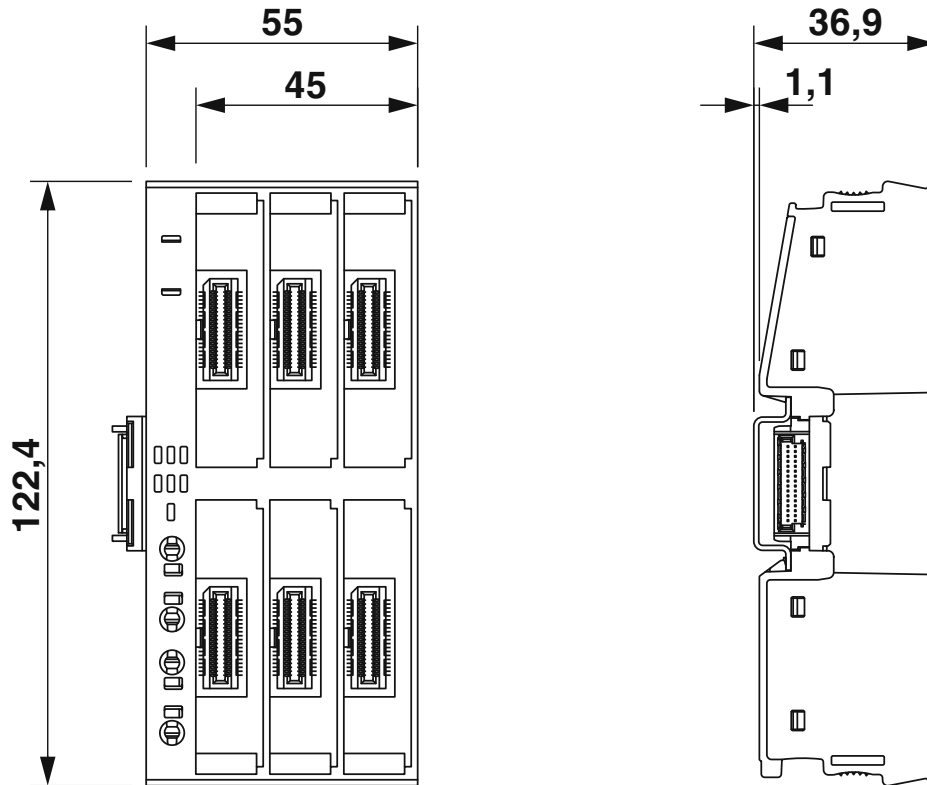
# AXL F BP SE6 - Module carrier

1088136

<https://www.phoenixcontact.com/gb/products/1088136>



Dimensional drawing



Dimensions (in mm)

# AXL F BP SE6 - Module carrier



1088136

<https://www.phoenixcontact.com/gb/products/1088136>

## Approvals

To download certificates, visit the product detail page: <https://www.phoenixcontact.com/gb/products/1088136>



**UL Listed**

Approval ID: E238705

**UAE-RoHS**

Approval ID: 23-02-63242



**cUL Listed**

Approval ID: E238705

**cULus Listed**



# AXL F BP SE6 - Module carrier



1088136

<https://www.phoenixcontact.com/gb/products/1088136>

## Classifications

### ECLASS

ECLASS-11.0	27242610
ECLASS-12.0	27242610
ECLASS-13.0	27242610

### ETIM

ETIM 9.0	EC001600
----------	----------

### UNSPSC

UNSPSC 21.0	32151600
-------------	----------

1088136

<https://www.phoenixcontact.com/gb/products/1088136>

## Environmental product compliance

### EU RoHS

Fulfills EU RoHS substance requirements	Yes
Exemption	7(a), 7(c)-I

### China RoHS

Environment friendly use period (EFUP)	EFUP-50
	An article-related China RoHS declaration table can be found in the download area for the respective article under "Manufacturer declaration". For all articles with EFUP-E, no China RoHS declaration table issued and required.

### EU REACH SVHC

REACH candidate substance (CAS No.)	Lead(CAS: 7439-92-1)
SCIP	efd2dda2-22ee-4e59-8dae-e59e3f0bbbde

### EF3.0 Climate Change

CO2e kg	6.12 kg CO2e
---------	--------------

# AXL F BP SE6 - Module carrier

1088136

<https://www.phoenixcontact.com/gb/products/1088136>



## Accessories

### AXL SE SC-A - Cover

1088134

<https://www.phoenixcontact.com/gb/products/1088134>



Axioline Smart Elements, Slot cover, Diagnostic function, degree of protection: IP20

---

### AXL SE SC - Cover

1167159

<https://www.phoenixcontact.com/gb/products/1167159>



Axioline Smart Elements, Slot cover, degree of protection: IP20

# AXL F BP SE6 - Module carrier

1088136

<https://www.phoenixcontact.com/gb/products/1088136>



## CLIPFIX 35 - End bracket

3022218

<https://www.phoenixcontact.com/gb/products/3022218>



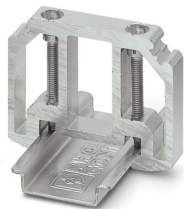
Quick mounting end clamp for NS 35/7,5 DIN rail or NS 35/15 DIN rail, with marking option, width: 9.5 mm, color: gray

---

## E/AL-NS 35 - End bracket

1201662

<https://www.phoenixcontact.com/gb/products/1201662>



End clamp, for end support of UKH 50 to UKH 240, is pushed onto DIN rail NS 35 and fixed with 2 screws, width: 10 mm, color: aluminum

# AXL F BP SE6 - Module carrier

1088136

<https://www.phoenixcontact.com/gb/products/1088136>



## AXL SHIELD SET - Shield connection

2700518

<https://www.phoenixcontact.com/gb/products/2700518>

Axioline shield connection set (contains 2 shield bus holders and 2 SK 5 shield connection clamps)



---

## MM-TML (EX4,2)R C1 TR/BK - Label

0803979

<https://www.phoenixcontact.com/gb/products/0803979>

Label, Roll, transparent/black, unlabeled, can be labeled with: THERMOFOX, THERMOMARK GO, THERMOMARK GO.K, mounting type: adhesive, lettering field size: continuous x 3.2 mm, Number of individual labels: 1



# AXL F BP SE6 - Module carrier

1088136

<https://www.phoenixcontact.com/gb/products/1088136>

## SK 5,0 WH:REEL - Marker strip

0805221

<https://www.phoenixcontact.com/gb/products/0805221>



Marker strip, Roll, white, unlabeled, can be labeled with: THERMOMARK E.300 (D)/600 (D), THERMOMARK ROLL 2.0, THERMOMARK ROLL, THERMOMARK ROLL X1, THERMOMARK ROLLMASTER 300/600, THERMOMARK X1.2, mounting type: adhesive, lettering field size: continuous x 5 mm, Number of individual labels: 10

---

## UM6M-TM (5X12) - Marker for terminal blocks

0830928

<https://www.phoenixcontact.com/gb/products/0830928>



Marker for terminal blocks, Strip, white, unlabeled, can be labeled with: TOPMARK NEO, TOPMARK LASER, BLUEMARK ID COLOR, BLUEMARK ID, BLUEMARK CLED, THERMOMARK PRIME, THERMOMARK CARD 2.0, THERMOMARK CARD, mounting type: snapped, for terminal block width: 5 mm, lettering field size: 5 x 12 mm, Number of individual labels: 24

# AXL F BP SE6 - Module carrier

1088136

<https://www.phoenixcontact.com/gb/products/1088136>



## UCT6M-TM 5 - Marker for terminal blocks

0830756

<https://www.phoenixcontact.com/gb/products/0830756>



Marker for terminal blocks, for marking ABB terminal blocks from the SNK series, Sheet, white, unlabeled, can be labeled with: THERMOMARK CARD, THERMOMARK CARD 2.0, THERMOMARK PRIME, BLUEMARK ID, BLUEMARK ID COLOR, TOPMARK LASER, TOPMARK NEO, mounting type: snapped, for terminal block width: 5.2 mm, lettering field size: 4.17 x 11.3 mm

---

Phoenix Contact 2024 © - all rights reserved

<https://www.phoenixcontact.com>

PHOENIX CONTACT Ltd

Halesfield 13, Telford

Shropshire, TF7 4PG

01952 681700

[info@phoenixcontact.co.uk](mailto:info@phoenixcontact.co.uk)

## X-ON Electronics

Largest Supplier of Electrical and Electronic Components

*Click to view similar products for [Ethernet Modules](#) category:*

*Click to view products by [Phoenix Contact](#) manufacturer:*

Other Similar products are found below :

[I350T4V2](#) [GX-OD1612](#) [TDKEZW3](#) [I350T2V2](#) [V23993-USB1029A](#) [I350T2V2BLK](#) [FC6A-PH1](#) [EM-ETH-GATEWAY-IFS](#) [EL1809](#)  
[EL2622](#) [EL2904](#) [EL3052](#) [EL4022](#) [EL6021](#) [EL6224](#) [EL6631](#) [EL9011](#) [EL9100](#) [KL1002](#) [KL1104](#) [KL2602-0010](#) [KL3208-0010](#) [KL6821](#)  
[KL9100](#) [KL9200](#) [X710T2L](#) [RY9012A0000GZ00#002](#) [X710T4LBLK](#) [7000-14561-7960150](#) [7000-44711-7960300](#) [7000-44711-7960750](#)  
[7000-44711-7961000](#) [7000-74711-4780150](#) [7000-89701-7910500](#) [7000-P6241-P060500](#) [2352903-2](#) [BOXER-6614-A1M-1110](#) [ED-593](#) [WC-](#)  
[PD13C033I-1](#) [EL2809-0015](#) [WC-PD30A012C](#) [NS8](#) [NS2](#) [NS4](#) [USR-K3](#) [USR-K2](#) [USR-TCP232-E2](#) [WC-PD13S120B](#) [WC-PD13C012S](#)  
[WC-PD07H012C](#)