

AXL F DI32/1 1F - Digital module



2688035

<https://www.phoenixcontact.com/gb/products/2688035>

Please be informed that the data shown in this PDF document is generated from our online catalog. Please find the complete data in the user documentation. Our general terms of use for downloads are valid.



Axioline F, Digital input module, Digital inputs: 32, 24 V DC, connection technology: 1-conductor, transmission speed in the local bus: 100 Mbps, degree of protection: IP20, including bus base module and Axioline F connectors

Product description

The module is designed for use within an Axioline F station. It is used to acquire digital signals. You can adjust the filter times of the inputs to increase noise immunity. Filter times of 100 μ s enable you to implement a counter function with a maximum input frequency of 5 kHz in the application.

Your advantages

- 32 digital inputs in accordance with EN 61131-2 type 1 and type 3
- 24 V DC, 2.4 mA
- Connection of sensors in 1-conductor technology
- Minimum update time of < 100 μ s
- Filter times can be adjusted in three increments: < 100 μ s, 1000 μ s or 3000 μ s
- Maximum input frequency: 5 kHz
- Device rating plate stored

Commercial data

Item number	2688035
Packing unit	1 pc
Minimum order quantity	1 pc
Sales key	DRI231
Product key	DRI231
Catalog page	Page 75 (C-6-2019)
GTIN	4046356501590
Weight per piece (including packing)	233 g
Weight per piece (excluding packing)	186 g
Customs tariff number	85389091
Country of origin	DE

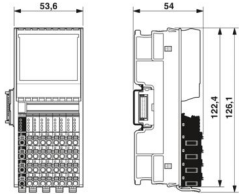
AXL F DI32/1 1F - Digital module

2688035

<https://www.phoenixcontact.com/gb/products/2688035>

Technical data

Dimensions

Dimensional drawing	
Width	53.6 mm
Height	126.1 mm
Depth	54 mm
Note on dimensions	The depth applies when a TH 35-7.5 DIN rail is used (in accordance with EN 60715).

Interfaces

Axioline F local bus

Number of interfaces	2
Connection method	Bus base module
Transmission speed	100 Mbps

System properties

Module

Input address area	4 Byte
Output address area	0 Byte
Required parameter data	3 Byte
Required configuration data	6 Byte

Input data

Digital:

Input name	Digital inputs
Description of the input	EN 61131-2 types 1 and 3
Number of inputs	32
Connection method	Push-in connection
Connection technology	1-conductor
Input voltage range "0" signal	-3 V DC ... 5 V DC
Input voltage range "1" signal	11 V DC ... 30 V DC
Nominal input voltage U_{IN}	24 V DC
Nominal input current at U_{IN}	2.4 mA
Input filter time	3000 μ s (Default)
	1000 μ s
	< 100 μ s

AXL F DI32/1 1F - Digital module



2688035

<https://www.phoenixcontact.com/gb/products/2688035>

Protective circuit	Polarity reversal protection of the inputs; parallel diode (30 V, 5 s)
--------------------	--

Product properties

Product type	I/O component
Product family	Axioline F
Type	block modular
Mounting position	any (no temperature derating)
Scope of delivery	including bus base module and Axioline F connectors

Insulation characteristics

Overvoltage category	II (IEC 60664-1, EN 60664-1)
Pollution degree	2 (IEC 60664-1, EN 60664-1)

Electrical properties

Maximum power dissipation for nominal condition	0.6 W
---	-------

Potentials: Axioline F local bus supply (U_{BUS})

Supply voltage	5 V DC (via bus base module)
Current draw	max. 120 mA (up to HW 04) max. 60 mA (from HW 05)
Power consumption	max. 600 mW (up to HW 04) max. 300 mW (from HW 05)

Potentials: Supply for digital input modules (U_I)

Supply voltage	24 V DC
Supply voltage range	19.2 V DC ... 30 V DC (including all tolerances, including ripple)
Current draw	max. 50 mA
Power consumption	max. 1.2 W
Protective circuit	Surge protection; electronic (35 V, 0.5 s) Reverse polarity protection; parallel diode; with external 5 A fuse (only for commissioning)

Electrical isolation/isolation of the voltage ranges

Test voltage: 5 V supply of the local bus (U_{BUS}) / 24 V supply (I/Os)	500 V AC, 50 Hz, 1 min.
Test voltage: 5 V supply of the local bus (U_{BUS}) / functional ground	500 V AC, 50 Hz, 1 min.
Test voltage: 24 V supply (I/O) / functional ground	500 V AC, 50 Hz, 1 min.

Connection data

Connection technology

Connection name	Axioline F connector
Note on the connection method	Please observe the information provided on conductor cross sections in the "Axioline F: system and installation" user manual. Applications with UL approval: only use copper conductors.

Conductor connection

AXL F DI32/1 1F - Digital module



2688035

<https://www.phoenixcontact.com/gb/products/2688035>

Connection method	Push-in connection
Conductor cross section rigid	0.2 mm ² ... 1.5 mm ²
Conductor cross section flexible	0.2 mm ² ... 1.5 mm ²
Conductor cross section AWG	24 ... 16
Stripping length	8 mm

Axioline F connector

Connection method	Push-in connection
Note on the connection method	Please observe the information provided on conductor cross sections in the "Axioline F: system and installation" user manual. Applications with UL approval: only use copper conductors.
Conductor cross section, rigid	0.2 mm ² ... 1.5 mm ²
Conductor cross section, flexible	0.2 mm ² ... 1.5 mm ²
Conductor cross section AWG	24 ... 16
Stripping length	8 mm

Environmental and real-life conditions

Ambient conditions

Ambient temperature (operation)	-25 °C ... 60 °C
Degree of protection	IP20
Air pressure (operation)	70 kPa ... 106 kPa (up to 3000 m above sea level)
Air pressure (storage/transport)	70 kPa ... 106 kPa (up to 3000 m above sea level)
Ambient temperature (storage/transport)	-40 °C ... 85 °C
Permissible humidity (operation)	5 % ... 95 % (non-condensing)
Permissible humidity (storage/transport)	5 % ... 95 % (non-condensing)

Standards and regulations

Protection class	III (IEC 61140, EN 61140, VDE 0140-1)
------------------	---------------------------------------

Mounting

Mounting type	DIN rail mounting
Mounting position	any (no temperature derating)

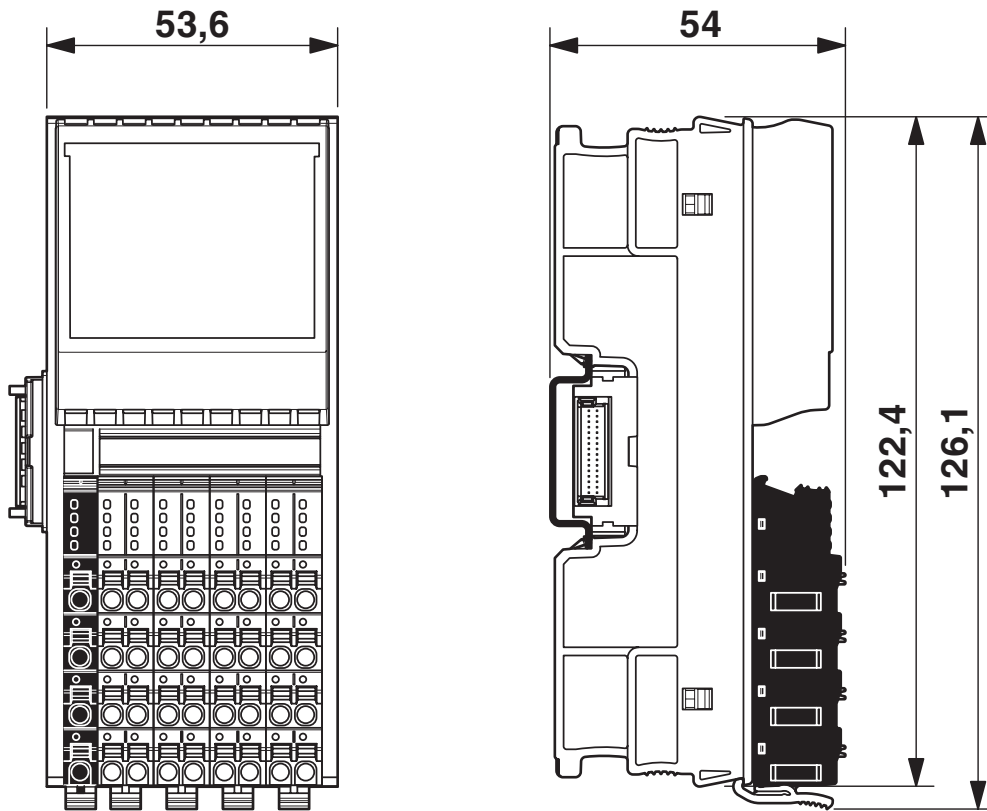
AXL F DI32/1 1F - Digital module

2688035

<https://www.phoenixcontact.com/gb/products/2688035>

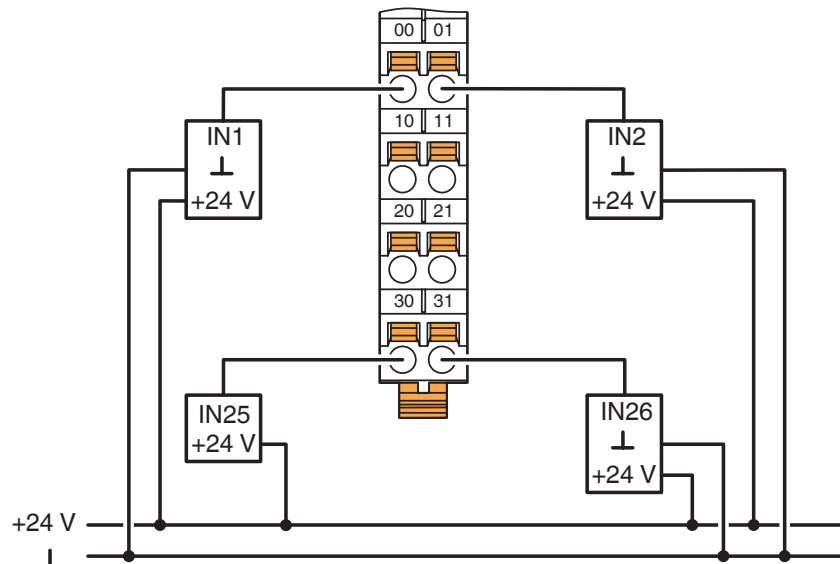
Drawings

Dimensional drawing



Dimensions

Connection diagram



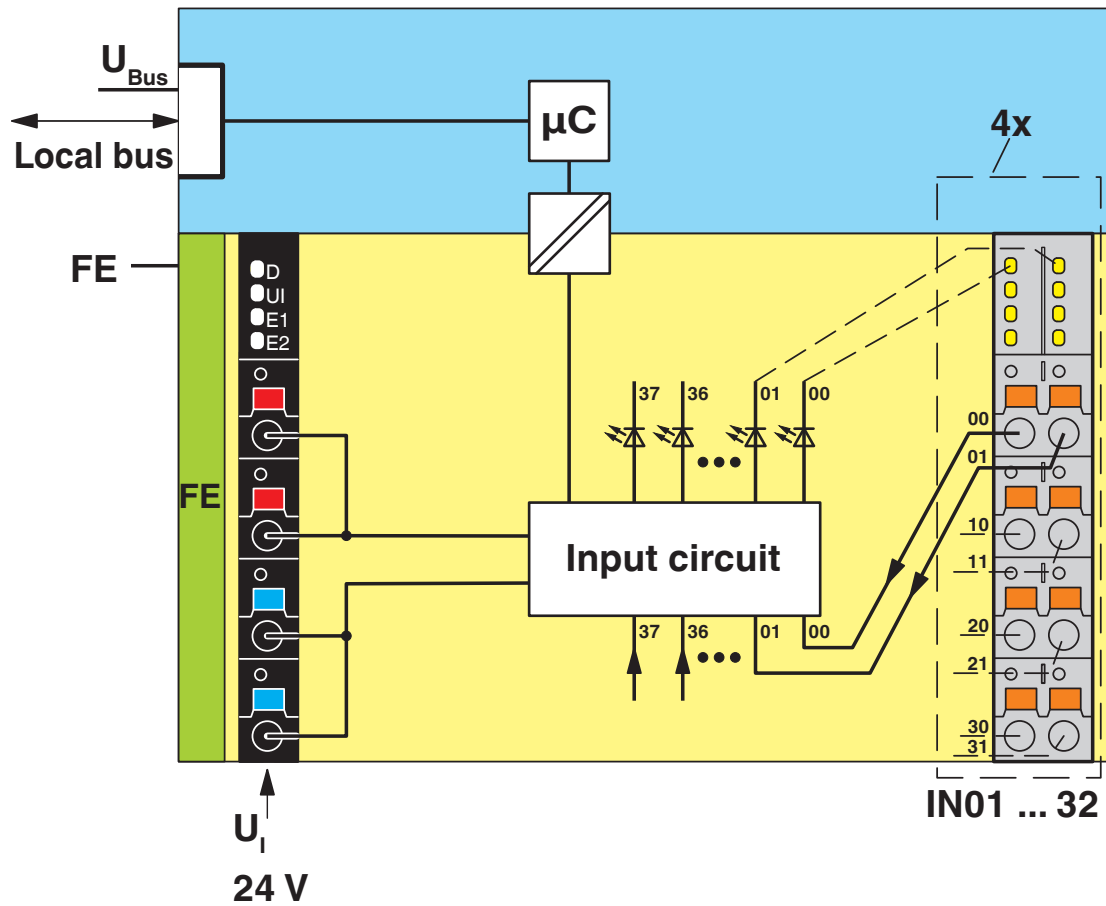
Connection in 1-conductor technology

AXL F DI32/1 1F - Digital module

2688035

<https://www.phoenixcontact.com/gb/products/2688035>

Block diagram



Internal wiring of the terminal points

AXL F DI32/1 1F - Digital module



2688035

<https://www.phoenixcontact.com/gb/products/2688035>

Approvals

To download certificates, visit the product detail page: <https://www.phoenixcontact.com/gb/products/2688035>



DNV GL

Approval ID: TAA00000DF



LR

Approval ID: LR2001902TA-08



BV

Approval ID: 36433/B4 BV



PRS

Approval ID: TE/1020/880590/21

BSH

Approval ID: 840



RINA

Approval ID: ELE008423XG

ABS

Approval ID: 20-2059154-PDA



EAC

Approval ID: TR_TS_D_01831-19

UAE-RoHS

Approval ID: 23-02-63242



cULus Listed

Approval ID: E238705

AXL F DI32/1 1F - Digital module



2688035

<https://www.phoenixcontact.com/gb/products/2688035>

Classifications

ECLASS

ECLASS-11.0	27242604
ECLASS-12.0	27242604
ECLASS-13.0	27242604

ETIM

ETIM 9.0	EC001599
----------	----------

UNSPSC

UNSPSC 21.0	32151600
-------------	----------

2688035

<https://www.phoenixcontact.com/gb/products/2688035>

Environmental product compliance

EU RoHS

Fulfills EU RoHS substance requirements	Yes
Exemption	7(a), 7(c)-I

China RoHS

Environment friendly use period (EFUP)	EFUP-50
	An article-related China RoHS declaration table can be found in the download area for the respective article under "Manufacturer declaration". For all articles with EFUP-E, no China RoHS declaration table issued and required.

EU REACH SVHC

REACH candidate substance (CAS No.)	Lead(CAS: 7439-92-1)
SCIP	5eec1585-35fb-4e9d-bba4-5559f46181d3

AXL F DI32/1 1F - Digital module

2688035

<https://www.phoenixcontact.com/gb/products/2688035>



Accessories

AXL F BS F - Bus connector

2688129

<https://www.phoenixcontact.com/gb/products/2688129>



Axioline F bus base module for housing type F

ZB 20,3 AXL UNPRINTED - Zack marker strip

0829579

<https://www.phoenixcontact.com/gb/products/0829579>



Zack marker strip for Axioline F (device labeling), in 2 x 20.3 mm pitch, unprinted, 25-section, for individual labeling with B-STIFT 0.8, X-PEN, or CMS-P1-PLOTTER

AXL F DI32/1 1F - Digital module

2688035

<https://www.phoenixcontact.com/gb/products/2688035>



ZBF 10/5,8 AXL UNPRINTED - Zack Marker strip, flat

0829580

<https://www.phoenixcontact.com/gb/products/0829580>



Zack Marker strip, flat, Strip, white, unlabeled, can be labeled with: PLOTMARK, CMS-P1-PLOTTER, mounting type: snapped, for terminal block width: 10.15 mm, lettering field size: 4 x 10, 15 x 5 mm, 1 x 5.8 x 5 mm, Number of individual labels: 50

EMT (35X46)R - Insert label

0801604

<https://www.phoenixcontact.com/gb/products/0801604>



Insert label, for marking the Axioline F series from Phoenix Contact, Roll, white, unlabeled, can be labeled with: THERMOMARK E.300 (D)/600 (D), THERMOMARK ROLL 2.0, THERMOMARK ROLL, THERMOMARK ROLL X1, THERMOMARK ROLLMaster 300/600, THERMOMARK X1.2, mounting type: insert, lettering field size: 35 x 46 mm, Number of individual labels: 500

AXL F DI32/1 1F - Digital module

2688035

<https://www.phoenixcontact.com/gb/products/2688035>

CABLE-FLK14/AXIO/OE/0,14/0,5M - Cable

1369888

<https://www.phoenixcontact.com/gb/products/1369888>



Round cable set; controller: Axioline Realtime I/O; connection 1: Single wires (8-position) (The wires are marked and fitted with ferrules); connection 2: IDC/FLK socket strip (1x 14-position); cable length: 0.5 m

CABLE-FLK14/AXIO/OE/0,14/1,0M - Cable

1369897

<https://www.phoenixcontact.com/gb/products/1369897>



Round cable set; controller: Axioline Realtime I/O; connection 1: Single wires (8-position) (The wires are marked and fitted with ferrules); connection 2: IDC/FLK socket strip (1x 14-position); cable length: 1 m

AXL F DI32/1 1F - Digital module

2688035

<https://www.phoenixcontact.com/gb/products/2688035>



CABLE-FLK14/AXIO/OE/0,14/1,5M - Cable

1369902

<https://www.phoenixcontact.com/gb/products/1369902>



Round cable set; controller: Axioline Realtime I/O; connection 1: Single wires (8-position) (The wires are marked and fitted with ferrules); connection 2: IDC/FLK socket strip (1x 14-position); cable length: 1.5 m

CABLE-FLK14/AXIO/OE/0,14/2,0M - Cable

1369904

<https://www.phoenixcontact.com/gb/products/1369904>



Round cable set; controller: Axioline Realtime I/O; connection 1: Single wires (8-position) (The wires are marked and fitted with ferrules); connection 2: IDC/FLK socket strip (1x 14-position); cable length: 2 m

AXL F DI32/1 1F - Digital module



2688035

<https://www.phoenixcontact.com/gb/products/2688035>

CABLE-FLK14/AXIO/OE/0,14/3,0M - Cable

1369905

<https://www.phoenixcontact.com/gb/products/1369905>



Round cable set; controller: Axioline Realtime I/O; connection 1: Single wires (8-position) (The wires are marked and fitted with ferrules); connection 2: IDC/FLK socket strip (1x 14-position); cable length: 3 m

CABLE-FLK14/AXIO/OE/0,14/4,0M - Cable

1369906

<https://www.phoenixcontact.com/gb/products/1369906>



Round cable set; controller: Axioline Realtime I/O; connection 1: Single wires (8-position) (The wires are marked and fitted with ferrules); connection 2: IDC/FLK socket strip (1x 14-position); cable length: 4 m

AXL F DI32/1 1F - Digital module

2688035

<https://www.phoenixcontact.com/gb/products/2688035>



CABLE-FLK14/AXIO/OE/0,14/6,0M - Cable

1369909

<https://www.phoenixcontact.com/gb/products/1369909>



Round cable set; controller: Axioline Realtime I/O; connection 1: Single wires (8-position) (The wires are marked and fitted with ferrules); connection 2: IDC/FLK socket strip (1x 14-position); cable length: 6 m

Phoenix Contact 2024 © - all rights reserved

<https://www.phoenixcontact.com>

PHOENIX CONTACT Ltd

Halesfield 13, Telford

Shropshire, TF7 4PG

01952 681700

info@phoenixcontact.co.uk

X-ON Electronics

Largest Supplier of Electrical and Electronic Components

Click to view similar products for [Terminal Block Interface Modules](#) category:

Click to view products by [Phoenix Contact](#) manufacturer:

Other Similar products are found below :

[GCN1MX25B](#) [DIN-68H-01](#) [DIN-96DI-01](#) [FLKM-2I/O](#) [5601749](#) [5541962](#) [1776613-1](#) [GCN1-004A](#) [MINI MCR-2-U-U](#) [MINI MCR-2-UI-FRO](#) [MACX MCR-VDC-PT](#) [MACX MCR-VAC-PT](#) [5775235](#) [ADAM-3956-BE](#) [2618550000](#) [2639560000](#) [1124100000](#) [2618100000](#)
[5541234](#) [410-261](#) [5521322](#) [2902003](#) [208BR](#) [5604835](#) [2281678](#) [2294490](#) [2302913](#) [2304445](#) [2311344](#) [2314260](#) [2314273](#) [2316311](#) [2316312](#)
[2316372](#) [2319427](#) [2321981](#) [2904286](#) [2904289](#) [2903910](#) [2688093](#) [2701518](#) [2701540](#) [2701505](#) [2701507](#) [2701528](#) [2701537](#) [2701542](#)
[2701544](#) [1510470000](#) [1510540000](#)