

AXL SE DO16/1 - Digital module



1088129

<https://www.phoenixcontact.com/gb/products/1088129>

Please be informed that the data shown in this PDF document is generated from our online catalog. Please find the complete data in the user documentation. Our general terms of use for downloads are valid.



Axioline Smart Elements, Digital output module, Digital outputs: 16, 24 V DC, 500 mA, connection technology: 1-conductor, degree of protection: IP20

Product description

You can integrate Axioline Smart Elements into systems with the Smart Element interface. This Smart Element emits digital signals.

Your advantages

- 16 digital outputs
- 24 V DC, 500 mA
- Connection of actuators in 1-conductor technology
- Substitute value behavior of the outputs can be parameterized for the Smart Element
- Device rating plate stored

Commercial data

Item number	1088129
Packing unit	1 pc
Minimum order quantity	1 pc
Sales key	DRIB32
Product key	DRIB32
GTIN	4055626888101
Weight per piece (including packing)	38.9 g
Weight per piece (excluding packing)	35 g
Customs tariff number	85389091
Country of origin	DE

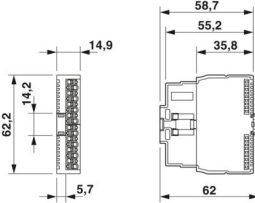
AXL SE DO16/1 - Digital module

1088129

<https://www.phoenixcontact.com/gb/products/1088129>

Technical data

Dimensions

Dimensional drawing	
Width	14.9 mm
Height	62.2 mm
Depth	62 mm

Notes

Utilization restriction

EMC note	EMC: class A product, see manufacturer's declaration in the download area
----------	---

Interfaces

Smart Element interface

Number of interfaces	1
Connection method	Card edge connector
Transmission speed	See system in which you use the Smart Element.
Start time until ready to operate	< 500 ms

System properties

Module

ID code (hex)	none
Process data channel	16 bit
Input address area	0 Byte
Output address area	2 Byte
Required parameter data	9 Byte
Required configuration data	6 Byte

Output data

Digital:

Output name	Digital outputs
Connection method	Push-in connection
Connection technology	1-conductor
Number of outputs	16
Protective circuit	Short-circuit and overload protection; electronic

AXL SE DO16/1 - Digital module



1088129

<https://www.phoenixcontact.com/gb/products/1088129>

Output voltage	24 V
Limitation of the voltage induced on circuit interruption	-32.8 V DC ... -15 V DC
Maximum output current per module	6 A (Also make sure that the maximum permissible current of 6 A is not exceeded.)
Nominal output voltage	24 V DC
Load min.	10 k Ω
Output voltage when switched off	max. 1 V
Output current when switched off	max. 300 μ A
Nominal load, inductive	12 VA (1.2 H, 48 Ω , with nominal voltage)
Nominal load, lamp	12 W (at nominal voltage)
Nominal load, ohmic	12 W (48 Ω , with nominal voltage)
Switching frequency	max. 1200 per second (With resistive load, at least 50 mA load current) max. 1 per second (with inductive load) max. 16 per second (with nominal lamp load)
Reverse voltage resistance to short pulses	limited protection up to 0.5 A for 1 s
Behavior with overload	Shutdown with automatic restart
Behavior with inductive overload	Output can be destroyed
Signal delay	max. 100 μ s (when switched on) max. 100 μ s (when switched off, with at least 50 mA load current)
Overcurrent shut-down	min. 0.7 A
Output current with ground connection interrupt when switched off	< 1 mA

Product properties

Product type	I/O component
Product family	Axioline Smart Elements
Type	modular
Mounting position	See the system in which the Smart Element is used.

Insulation characteristics

Overvoltage category	II (IEC 60664-1, EN 60664-1)
Pollution degree	2 (IEC 60664-1, EN 60664-1)

Electrical properties

Maximum power dissipation for nominal condition	1.2 W
---	-------

Potentials: Communications power supply of the Smart Elements (U_{SE})

Supply voltage	using card edge connectors
----------------	----------------------------

Potentials: I/O supply (U_P)

Supply voltage	24 V DC (using card edge connectors)
Supply voltage range	19.2 V DC ... 30 V DC (including all tolerances, including ripple)
Current draw	max. 6 A
Current consumption	min. 40 mA (without connected peripherals)
Power consumption	max. 180 W (of which 1.1 W internal losses)

AXL SE DO16/1 - Digital module



1088129

<https://www.phoenixcontact.com/gb/products/1088129>

	min. 288 mW
Protective circuit	Surge protection; See the system in which the Smart Element is used.
	Reverse polarity protection; parallel diode

Electrical isolation/isolation of the voltage ranges

Test voltage: Communications supply / 24 V supply (I/O)	500 V AC, 50 Hz, 1 min.
Test voltage: Communications supply / functional ground	500 V AC, 50 Hz, 1 min.
Test voltage: 24 V supply (I/O) / functional ground	500 V AC, 50 Hz, 1 min.

Connection data

Connection technology

Connection name	I/O
Note on the connection method	Please observe the information provided on conductor cross sections in the "Axioline Smart Elements" user manual.
	With a small conductor cross section and high current, the terminal point temperature can reach up to 45 K above the ambient temperature.
	When selecting the cables, observe the permissible operating temperature in accordance with IEC or UL.

Conductor connection

Connection method	Push-in connection
Conductor cross section rigid	0.25 mm ² ... 1.5 mm ²
Conductor cross section flexible	0.25 mm ² ... 1.5 mm ²
Conductor cross section AWG	24 ... 16
Conductor cross section flexible, with ferrule without plastic sleeve	0.25 mm ² ... 1.5 mm ²
Conductor cross section, flexible, with ferrule, with plastic sleeve	0.25 mm ² ... 1.5 mm ²
Stripping length	8 mm

I/O

Connection method	Push-in connection
Note on the connection method	Please observe the information provided on conductor cross sections in the "Axioline Smart Elements" user manual.
	With a small conductor cross section and high current, the terminal point temperature can reach up to 45 K above the ambient temperature.
	When selecting the cables, observe the permissible operating temperature in accordance with IEC or UL.
Conductor cross section, rigid	0.25 mm ² ... 1.5 mm ²
Conductor cross section, flexible	0.25 mm ² ... 1.5 mm ²
Conductor cross section AWG	24 ... 16
Conductor cross section, flexible, with ferrule, with plastic sleeve	0.25 mm ² ... 1.5 mm ²
Conductor cross section flexible, with ferrule without plastic sleeve	0.25 mm ² ... 1.5 mm ²
Stripping length	8 mm

Environmental and real-life conditions

Ambient conditions

Ambient temperature (operation)	-25 °C ... 60 °C
Degree of protection	IP20
Air pressure (operation)	70 kPa ... 106 kPa (up to 3000 m above sea level)
Air pressure (storage/transport)	70 kPa ... 106 kPa (up to 3000 m above sea level)
Ambient temperature (storage/transport)	-40 °C ... 85 °C
Permissible humidity (operation)	5 % ... 95 % (non-condensing)
Permissible humidity (storage/transport)	5 % ... 95 % (non-condensing)

Standards and regulations

Protection class	III (IEC 61140, EN 61140, VDE 0140-1)
------------------	---------------------------------------

Mounting

Mounting type	Smart Element slot
Mounting position	See the system in which the Smart Element is used.

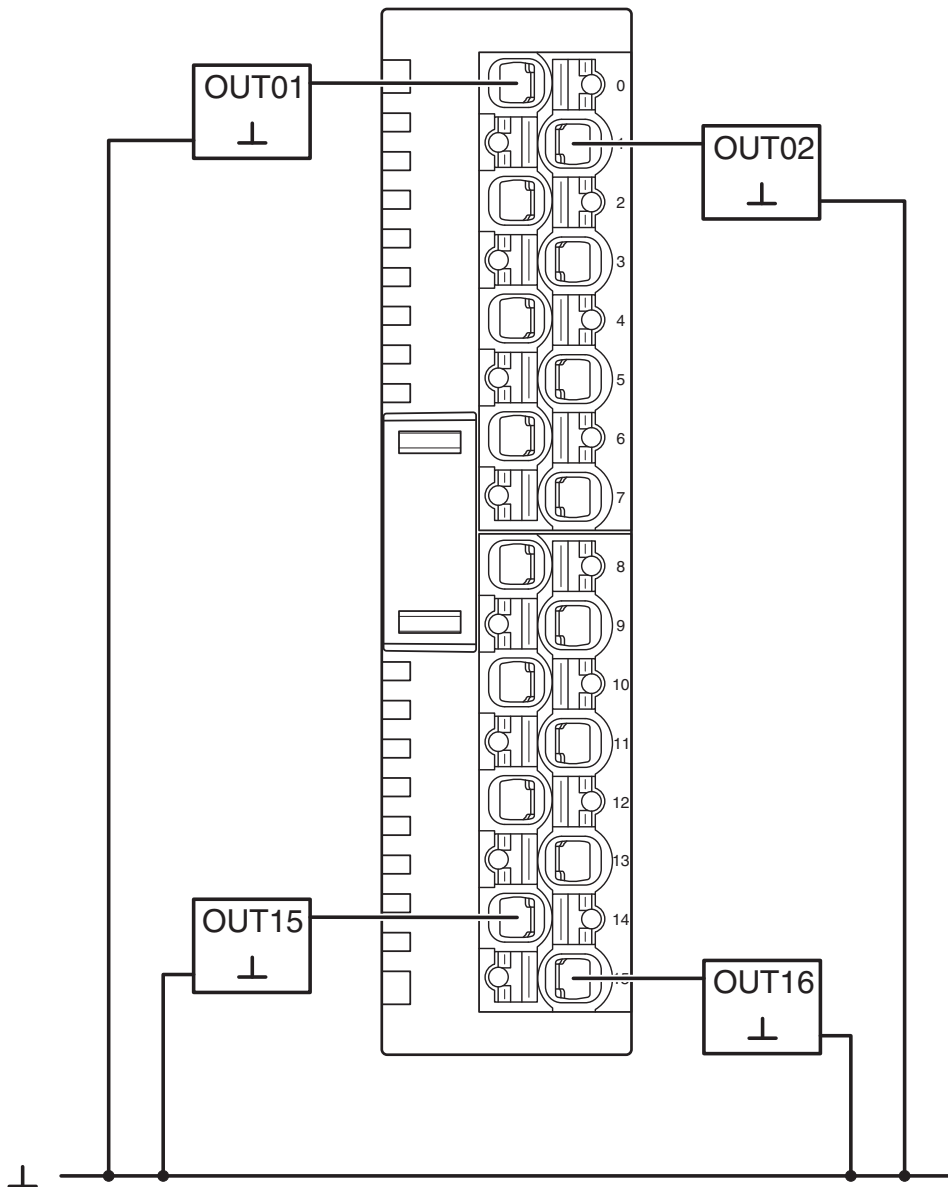
AXL SE DO16/1 - Digital module

1088129

<https://www.phoenixcontact.com/gb/products/1088129>

Drawings

Connection diagram

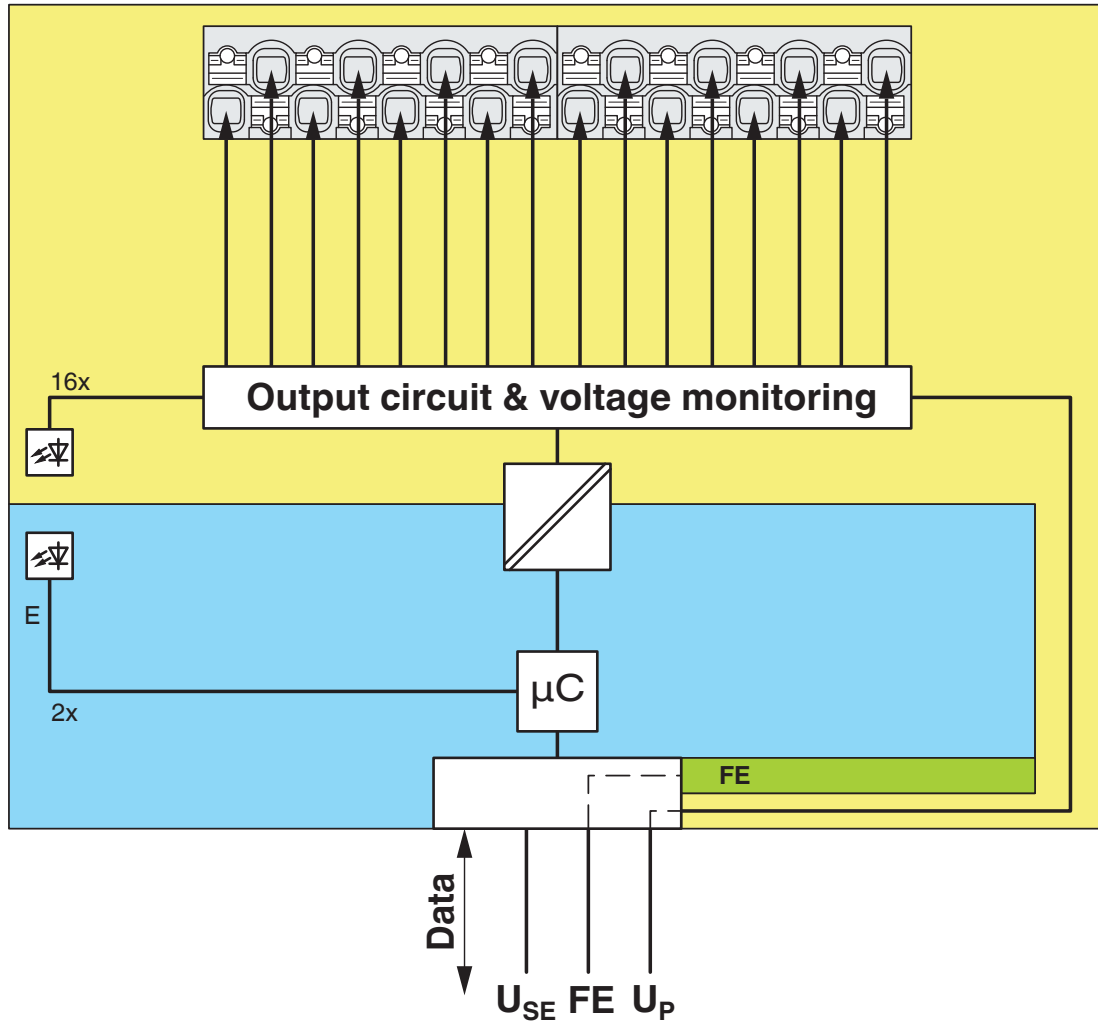


Connection example

1088129

<https://www.phoenixcontact.com/gb/products/1088129>

Block diagram



Internal wiring of the terminal points

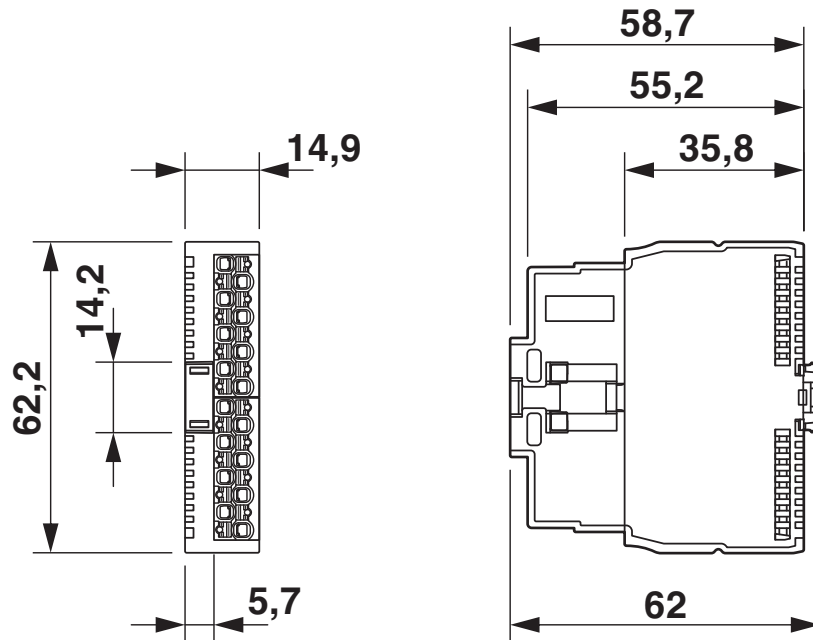
AXL SE DO16/1 - Digital module

1088129

<https://www.phoenixcontact.com/gb/products/1088129>



Dimensional drawing




Dimensions

1088129

<https://www.phoenixcontact.com/gb/products/1088129>


Approvals

To download certificates, visit the product detail page: <https://www.phoenixcontact.com/gb/products/1088129>

 **UL Listed**
Approval ID: E238705


 **cUL Listed**
Approval ID: E238705


 **cUL Listed**
Approval ID: E238705


 **UL Listed**
Approval ID: E238705

DNV
Approval ID: TAA00003B0

DNV
Approval ID: TAA00003B0

 **LR**
Approval ID: LR23402057TA

 **LR**
Approval ID: LR23402057TA

 **RINA**
Approval ID: ELE263623XG

ABS
Approval ID: 24-2510075-PDA

ABS
Approval ID: 24-2510075-PDA

AXL SE DO16/1 - Digital module



1088129

<https://www.phoenixcontact.com/gb/products/1088129>



RINA

Approval ID: ELE263623XG

AXL SE DO16/1 - Digital module



1088129

<https://www.phoenixcontact.com/gb/products/1088129>

Classifications

ECLASS

ECLASS-11.0	27242604
ECLASS-12.0	27242604
ECLASS-13.0	27242604

ETIM

ETIM 9.0	EC001599
----------	----------

UNSPSC

UNSPSC 21.0	32151600
-------------	----------

1088129

<https://www.phoenixcontact.com/gb/products/1088129>

Environmental product compliance

EU RoHS

Fulfills EU RoHS substance requirements	Yes
Exemption	7(a), 7(c)-I

China RoHS

Environment friendly use period (EFUP)	EFUP-50
	An article-related China RoHS declaration table can be found in the download area for the respective article under "Manufacturer declaration". For all articles with EFUP-E, no China RoHS declaration table issued and required.

EU REACH SVHC

REACH candidate substance (CAS No.)	Lead(CAS: 7439-92-1)
SCIP	1566ffa1-dd75-48e7-af6c-20ee81deec9e

EF3.0 Climate Change

CO2e kg	1.73 kg CO2e
---------	--------------

AXL SE DO16/1 - Digital module



1088129

<https://www.phoenixcontact.com/gb/products/1088129>

Mandatory accessories

AXL F BP SE4 - Module carrier

1088135

<https://www.phoenixcontact.com/gb/products/1088135>

Axioline F, Backplane, 4 slots for Axioline Smart Elements, transmission speed in the local bus: 100 Mbps, degree of protection: IP20



AXL F BP SE6 - Module carrier

1088136

<https://www.phoenixcontact.com/gb/products/1088136>

Axioline F, Backplane, 6 slots for Axioline Smart Elements, transmission speed in the local bus: 100 Mbps, degree of protection: IP20



Accessories

AXL SE DO16/1 - Digital module

1088129

<https://www.phoenixcontact.com/gb/products/1088129>



AXL SE PD16 24V - Potential distributors

1337223

<https://www.phoenixcontact.com/gb/products/1337223>



Axioline Smart Elements, Potential distribution module, 24 V DC, degree of protection: IP20

AXL SE PD16 GND - Potential distributors

1337224

<https://www.phoenixcontact.com/gb/products/1337224>



Axioline Smart Elements, Potential distribution module, GND, degree of protection: IP20

AXL SE DO16/1 - Digital module

1088129

<https://www.phoenixcontact.com/gb/products/1088129>



AXL SE PD8/8 24V/GND - Potential distributors

1337225

<https://www.phoenixcontact.com/gb/products/1337225>



Axiline Smart Elements, Potential distribution module, 24 V DC, GND, degree of protection: IP20

SZS 0,4X2,5 VDE - Screwdriver

1205037

<https://www.phoenixcontact.com/gb/products/1205037>



Screwdriver, slot-headed, VDE insulated, size: 0.4 x 2.5 x 80 mm, 2-component grip, with non-slip grip

AXL SE DO16/1 - Digital module

1088129

<https://www.phoenixcontact.com/gb/products/1088129>



CRIMPFOX 6 - Crimping pliers

1212034

<https://www.phoenixcontact.com/gb/products/1212034>



Crimping pliers, for ferrules without insulating collar according to DIN 46228 Part 1 and ferrules with insulating collar according to DIN 46228 Part 4, 0.25 mm² ... 6.0 mm², lateral entry, trapezoidal crimp

CRIMPFOX DUO 10 - Crimping pliers

1031721

<https://www.phoenixcontact.com/gb/products/1031721>



Crimping pliers, contact connection type: Insulated and uninsulated ferrules, standards/specifications: DIN 46228-1, DIN 46228-4, UL 486F, form A, E, F, min. cross section: 0.14 mm², max. cross section: 10 mm², for TWIN ferrules up to 2 x 4 mm², automatic cross section adjustment, rotating die, lateral and frontal insertion, compression: Trapezoidal crimp, black/green

AXL SE DO16/1 - Digital module

1088129

<https://www.phoenixcontact.com/gb/products/1088129>



CRIMPFOX 10T-F - Crimping pliers

1134913

<https://www.phoenixcontact.com/gb/products/1134913>



Crimping pliers, contact connection type: Insulated and uninsulated ferrules, standards/specifications: DIN 46228-1, DIN 46228-4, min. cross section: 0.14 mm², max. cross section: 10 mm², For TWIN ferrules up to 2 x 4 mm², automatic cross section adjustment, frontal insertion, compression: Trapezoidal crimp, black

MM-TML (EX4,2)R C1 TR/BK - Label

0803979

<https://www.phoenixcontact.com/gb/products/0803979>



Label, Roll, transparent/black, unlabeled, can be labeled with: THERMOFOX, THERMOMARK GO, THERMOMARK GO.K, mounting type: adhesive, lettering field size: continuous x 3.2 mm, Number of individual labels: 1

AXL SE DO16/1 - Digital module

1088129

<https://www.phoenixcontact.com/gb/products/1088129>

SK 5,0 WH:REEL - Marker strip

0805221

<https://www.phoenixcontact.com/gb/products/0805221>



Marker strip, Roll, white, unlabeled, can be labeled with: THERMOMARK E.300 (D)/600 (D), THERMOMARK ROLL 2.0, THERMOMARK ROLL, THERMOMARK ROLL X1, THERMOMARK ROLLMASTER 300/600, THERMOMARK X1.2, mounting type: adhesive, lettering field size: continuous x 5 mm, Number of individual labels: 10

UM6M-TM (5X12) - Marker for terminal blocks

0830928

<https://www.phoenixcontact.com/gb/products/0830928>



Marker for terminal blocks, Strip, white, unlabeled, can be labeled with: TOPMARK NEO, TOPMARK LASER, BLUEMARK ID COLOR, BLUEMARK ID, BLUEMARK CLED, THERMOMARK PRIME, THERMOMARK CARD 2.0, THERMOMARK CARD, mounting type: snapped, for terminal block width: 5 mm, lettering field size: 5 x 12 mm, Number of individual labels: 24

AXL SE DO16/1 - Digital module

1088129

<https://www.phoenixcontact.com/gb/products/1088129>



UCT6M-TM 5 - Marker for terminal blocks

0830756

<https://www.phoenixcontact.com/gb/products/0830756>



Marker for terminal blocks, for marking ABB terminal blocks from the SNK series, Sheet, white, unlabeled, can be labeled with: THERMOMARK CARD, THERMOMARK CARD 2.0, THERMOMARK PRIME, BLUEMARK ID, BLUEMARK ID COLOR, TOPMARK LASER, TOPMARK NEO, mounting type: snapped, for terminal block width: 5.2 mm, lettering field size: 4.17 x 11.3 mm

CABLE-FLK14/AXIO/OE/0,14/0,5M - Cable

1369888

<https://www.phoenixcontact.com/gb/products/1369888>



Round cable set; controller: Axioline Realtime I/O; connection 1: Single wires (8-position) (The wires are marked and fitted with ferrules); connection 2: IDC/FLK socket strip (1x 14-position); cable length: 0.5 m

AXL SE DO16/1 - Digital module

1088129

<https://www.phoenixcontact.com/gb/products/1088129>

CABLE-FLK14/AXIO/OE/0,14/1,0M - Cable

1369897

<https://www.phoenixcontact.com/gb/products/1369897>



Round cable set; controller: Axioline Realtime I/O; connection 1: Single wires (8-position) (The wires are marked and fitted with ferrules); connection 2: IDC/FLK socket strip (1x 14-position); cable length: 1 m

CABLE-FLK14/AXIO/OE/0,14/1,5M - Cable

1369902

<https://www.phoenixcontact.com/gb/products/1369902>



Round cable set; controller: Axioline Realtime I/O; connection 1: Single wires (8-position) (The wires are marked and fitted with ferrules); connection 2: IDC/FLK socket strip (1x 14-position); cable length: 1.5 m

AXL SE DO16/1 - Digital module

1088129

<https://www.phoenixcontact.com/gb/products/1088129>

CABLE-FLK14/AXIO/OE/0,14/2,0M - Cable

1369904

<https://www.phoenixcontact.com/gb/products/1369904>



Round cable set; controller: Axioline Realtime I/O; connection 1: Single wires (8-position) (The wires are marked and fitted with ferrules); connection 2: IDC/FLK socket strip (1x 14-position); cable length: 2 m

CABLE-FLK14/AXIO/OE/0,14/3,0M - Cable

1369905

<https://www.phoenixcontact.com/gb/products/1369905>



Round cable set; controller: Axioline Realtime I/O; connection 1: Single wires (8-position) (The wires are marked and fitted with ferrules); connection 2: IDC/FLK socket strip (1x 14-position); cable length: 3 m

AXL SE DO16/1 - Digital module



1088129

<https://www.phoenixcontact.com/gb/products/1088129>

CABLE-FLK14/AXIO/OE/0,14/4,0M - Cable

1369906

<https://www.phoenixcontact.com/gb/products/1369906>



Round cable set; controller: Axioline Realtime I/O; connection 1: Single wires (8-position) (The wires are marked and fitted with ferrules); connection 2: IDC/FLK socket strip (1x 14-position); cable length: 4 m

CABLE-FLK14/AXIO/OE/0,14/6,0M - Cable

1369909

<https://www.phoenixcontact.com/gb/products/1369909>



Round cable set; controller: Axioline Realtime I/O; connection 1: Single wires (8-position) (The wires are marked and fitted with ferrules); connection 2: IDC/FLK socket strip (1x 14-position); cable length: 6 m

Phoenix Contact 2024 © - all rights reserved
<https://www.phoenixcontact.com>

PHOENIX CONTACT Ltd
Halesfield 13, Telford
Shropshire, TF7 4PG
01952 681700
info@phoenixcontact.co.uk

X-ON Electronics

Largest Supplier of Electrical and Electronic Components

Click to view similar products for [Ethernet Modules](#) category:

Click to view products by [Phoenix Contact](#) manufacturer:

Other Similar products are found below :

[I350T4V2](#) [GX-OD1612](#) [TDKEZW3](#) [I350T2V2](#) [V23993-USB1029A](#) [I350T2V2BLK](#) [FC6A-PH1](#) [EM-ETH-GATEWAY-IFS](#) [EL1809](#)
[EL2622](#) [EL2904](#) [EL3052](#) [EL4022](#) [EL6021](#) [EL6224](#) [EL6631](#) [EL9011](#) [EL9100](#) [KL1002](#) [KL1104](#) [KL2602-0010](#) [KL3208-0010](#) [KL6821](#)
[KL9100](#) [KL9200](#) [X710T2L](#) [RY9012A0000GZ00#002](#) [X710T4LBLK](#) [7000-14561-7960150](#) [7000-44711-7960300](#) [7000-44711-7960750](#)
[7000-44711-7961000](#) [7000-74711-4780150](#) [7000-89701-7910500](#) [7000-P6241-P060500](#) [2352903-2](#) [BOXER-6614-A1M-1110](#) [ED-593](#) [WC-](#)
[PD13C033I-1](#) [EL2809-0015](#) [WC-PD30A012C](#) [NS8](#) [NS2](#) [NS4](#) [USR-K3](#) [USR-K2](#) [USR-TCP232-E2](#) [WC-PD13S120B](#) [WC-PD13C012S](#)
[WC-PD07H012C](#)