

AXL SE RS485 - Communication module



1088128

<https://www.phoenixcontact.com/gb/products/1088128>

Please be informed that the data shown in this PDF document is generated from our online catalog. Please find the complete data in the user documentation. Our general terms of use for downloads are valid.



Axioline Smart Elements, Communication module, interface RS-485: 1, Process data width: 20 bytes, Transparent protocol, degree of protection: IP20

Product description

You can integrate Axioline Smart Elements into systems with the Smart Element interface. This Smart Element is used to operate standard I/O devices with a serial interface on a bus system.

Your advantages

- One serial input and output channel in RS-485 format
- Data is transmitted in transparent mode
- Transmission speed can be set up to 230,400 bps
- Number of data bits, stop bits and parity can be set
- Device rating plate stored

Commercial data

Item number	1088128
Packing unit	1 pc
Minimum order quantity	1 pc
Sales key	DRIB51
Product key	DRIB51
GTIN	4055626888002
Weight per piece (including packing)	35 g
Weight per piece (excluding packing)	35 g
Customs tariff number	85389091
Country of origin	DE

AXL SE RS485 - Communication module



1088128

<https://www.phoenixcontact.com/gb/products/1088128>

Technical data

Dimensions

Dimensional drawing	
Width	14.9 mm
Height	62.2 mm
Depth	62 mm

Notes

Utilization restriction

EMC note	EMC: class A product, see manufacturer's declaration in the download area
----------	---

Interfaces

Smart Element interface

Number of interfaces	1
Connection method	Card edge connector
Transmission speed	See system in which you use the Smart Element.
Start time until ready to operate	< 500 ms

RS-485

Number of interfaces	1
Connection method	Push-in connection
Note on the connection method	Use shielded cables.
Transmission speed	1200 bps ... 230,400 bps (can be parameterized)
Transmission physics	Copper
Protocols supported	Transparent
Termination resistor	120 Ω (active, integrated)
Data bits	7 or 8
Stop bits	1 or 2
Input buffer	4 kByte
Output buffer	1 kByte

System properties

Module

ID code (hex)	none
Process data channel	160 bit

AXL SE RS485 - Communication module



1088128

<https://www.phoenixcontact.com/gb/products/1088128>

Input address area	20 Byte
Output address area	20 Byte
Required parameter data	10 Byte
Required configuration data	7 Byte

Product properties

Product type	I/O component
Product family	Axioline Smart Elements
Type	modular
Mounting position	See the system in which the Smart Element is used.
Special properties	Process data width: 20 bytes Transparent protocol

Insulation characteristics

Overvoltage category	II (IEC 60664-1, EN 60664-1)
Pollution degree	2 (IEC 60664-1, EN 60664-1)

Electrical properties

Maximum power dissipation for nominal condition	0.7 W
---	-------

Potentials: Communications power supply of the Smart Elements (U_{SE})

Supply voltage	using card edge connectors
----------------	----------------------------

Potentials: I/O supply (U_P)

Supply voltage	24 V DC (using card edge connectors)
Supply voltage range	19.2 V DC ... 30 V DC (including all tolerances, including ripple)
Current draw	max. 18 mA typ. 10 mA
Current consumption	min. 6 mA (without connected peripherals)
Power consumption	max. 530 mW min. 144 mW
Protective circuit	Surge protection; See the system in which the Smart Element is used. Reverse polarity protection; Polarity protection diode

Electrical isolation/isolation of the voltage ranges

Test voltage: Communications supply / 24 V supply (I/O)	500 V AC, 50 Hz, 1 min.
Test voltage: Logic supply / RS-485 interface	500 V AC, 50 Hz, 1 min.
Test voltage: Communications supply / functional ground	500 V AC, 50 Hz, 1 min.
Test voltage: 24 V supply (I/O) / RS-485 interface	500 V AC, 50 Hz, 1 min.
Test voltage: 24 V supply (I/O) / functional ground	500 V AC, 50 Hz, 1 min.
Test voltage: RS-485 interface / functional ground	500 V AC, 50 Hz, 1 min.

Connection data

Connection technology

Connection name	I/O
-----------------	-----

AXL SE RS485 - Communication module



1088128

<https://www.phoenixcontact.com/gb/products/1088128>

Note on the connection method	Please observe the information provided on conductor cross sections in the "AxioLine Smart Elements" user manual.
-------------------------------	---

Conductor connection

Connection method	Push-in connection
Conductor cross section rigid	0.25 mm ² ... 1.5 mm ²
Conductor cross section flexible	0.25 mm ² ... 1.5 mm ²
Conductor cross section AWG	24 ... 16
Conductor cross section flexible, with ferrule without plastic sleeve	0.25 mm ² ... 1.5 mm ²
Conductor cross section, flexible, with ferrule, with plastic sleeve	0.25 mm ² ... 1.5 mm ²
Stripping length	8 mm

I/O

Connection method	Push-in connection
Note on the connection method	Please observe the information provided on conductor cross sections in the "AxioLine Smart Elements" user manual.
Conductor cross section, rigid	0.25 mm ² ... 1.5 mm ²
Conductor cross section, flexible	0.25 mm ² ... 1.5 mm ²
Conductor cross section AWG	24 ... 16
Conductor cross section, flexible, with ferrule, with plastic sleeve	0.25 mm ² ... 1.5 mm ²
Conductor cross section flexible, with ferrule without plastic sleeve	0.25 mm ² ... 1.5 mm ²
Stripping length	8 mm

Environmental and real-life conditions

Ambient conditions

Ambient temperature (operation)	-25 °C ... 60 °C
Degree of protection	IP20
Air pressure (operation)	70 kPa ... 106 kPa (up to 3000 m above sea level)
Air pressure (storage/transport)	70 kPa ... 106 kPa (up to 3000 m above sea level)
Ambient temperature (storage/transport)	-40 °C ... 85 °C
Permissible humidity (operation)	5 % ... 95 % (non-condensing)
Permissible humidity (storage/transport)	5 % ... 95 % (non-condensing)

Standards and regulations

Protection class	III (IEC 61140, EN 61140, VDE 0140-1)
------------------	---------------------------------------

Mounting

Mounting type	Smart Element slot
Mounting position	See the system in which the Smart Element is used.

AXL SE RS485 - Communication module

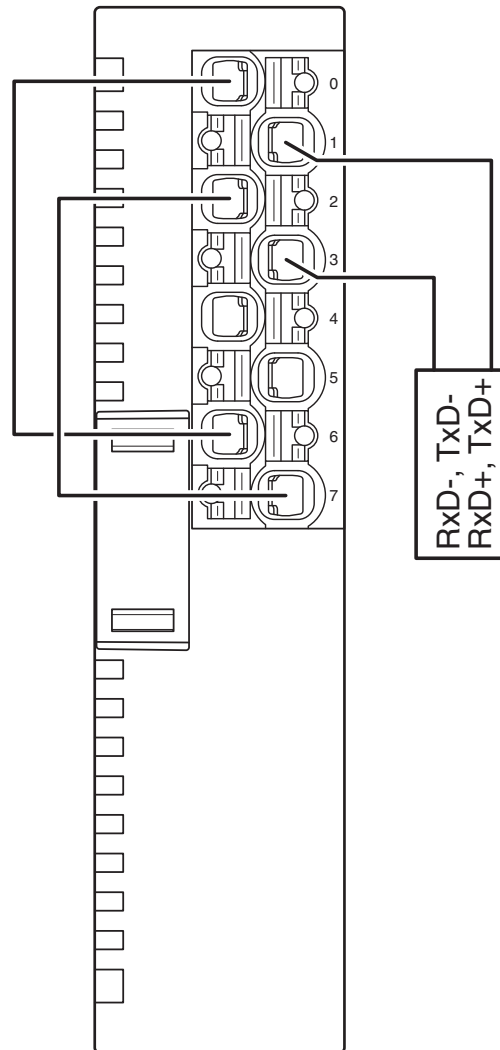
1088128

<https://www.phoenixcontact.com/gb/products/1088128>



Drawings

Connection diagram



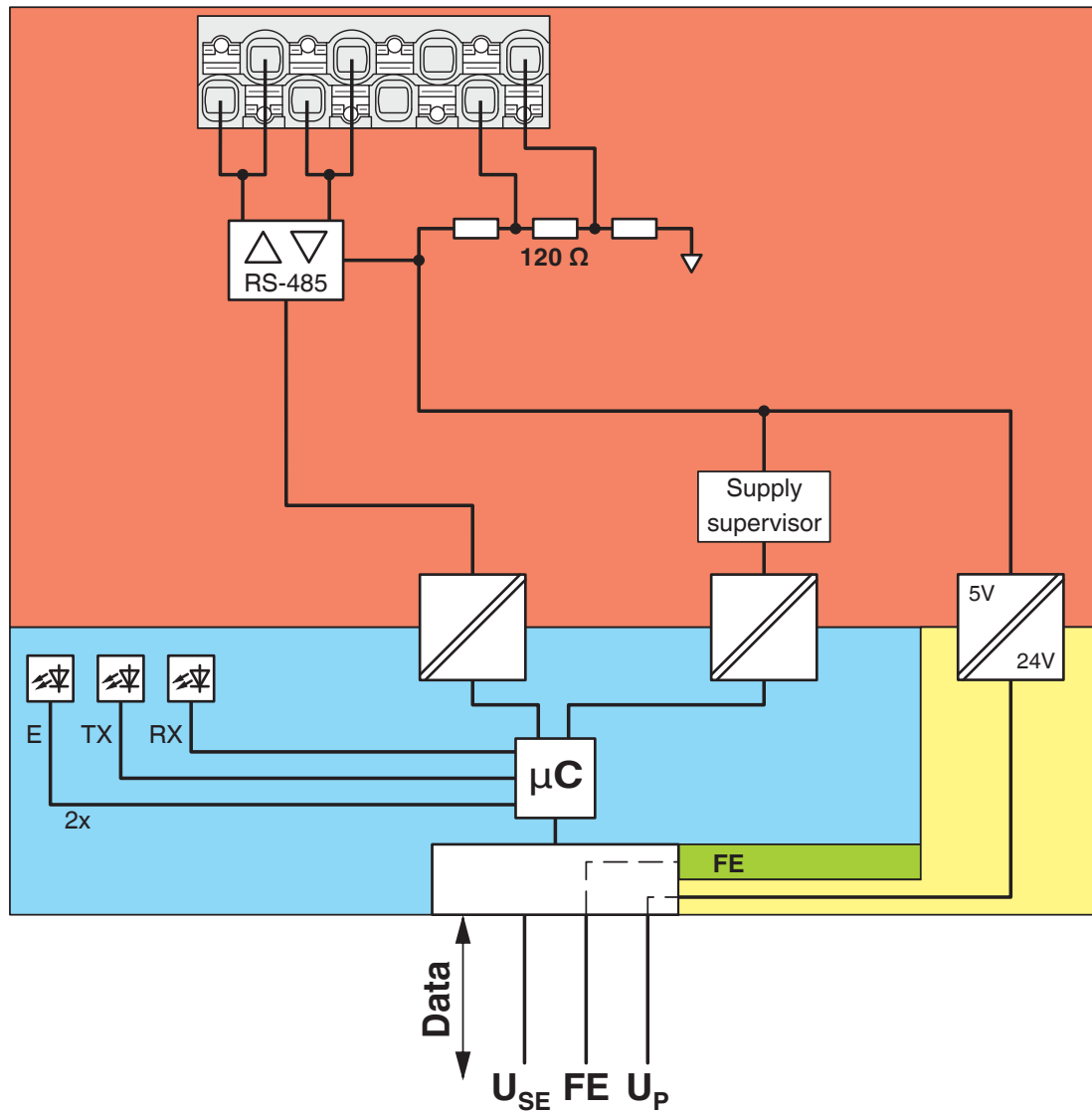
Smart Element as the network end point

AXL SE RS485 - Communication module

1088128

<https://www.phoenixcontact.com/gb/products/1088128>

Block diagram



Internal wiring of the terminal points

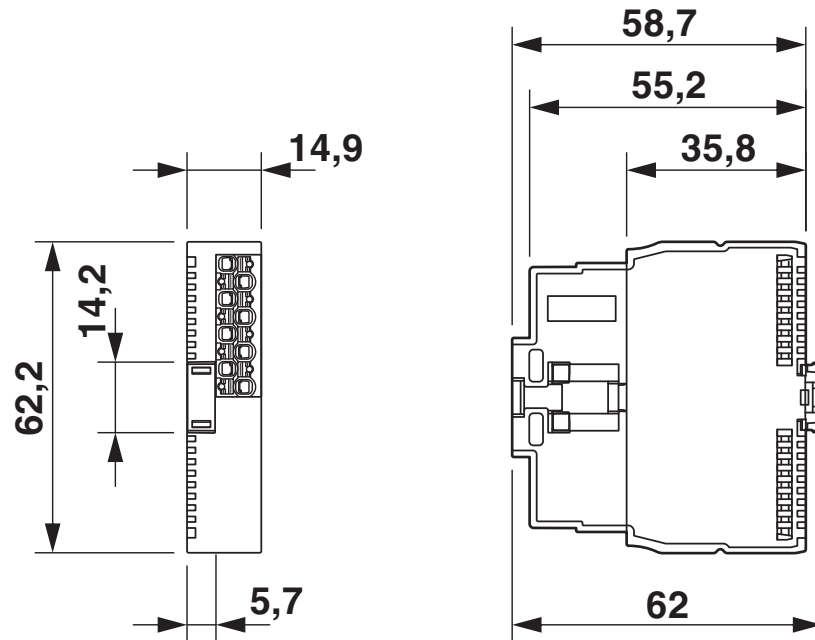
AXL SE RS485 - Communication module

1088128

<https://www.phoenixcontact.com/gb/products/1088128>



Dimensional drawing



Dimensions

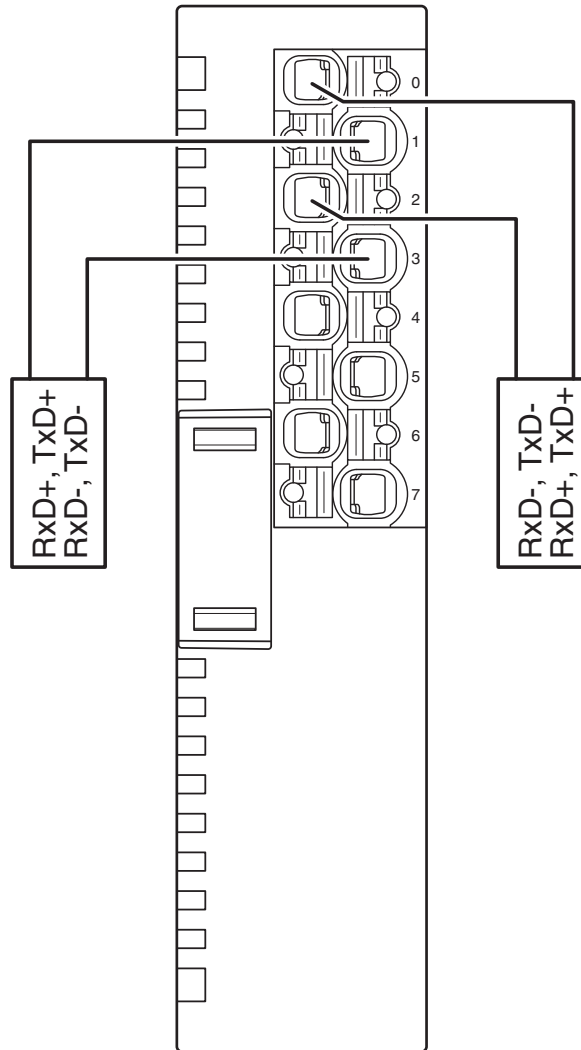
AXL SE RS485 - Communication module

1088128

<https://www.phoenixcontact.com/gb/products/1088128>



Connection diagram



Smart Element in the middle of a network

AXL SE RS485 - Communication module



1088128

<https://www.phoenixcontact.com/gb/products/1088128>

Approvals

To download certificates, visit the product detail page: <https://www.phoenixcontact.com/gb/products/1088128>



UL Listed

Approval ID: E238705



EAC

Approval ID: TR_TS_D_01831-19



cUL Listed

Approval ID: E238705



LR

Approval ID: LR23402057TA

DNV

Approval ID: TAA00003B0



RINA

Approval ID: ELE263623XG

ABS

Approval ID: 24-2510075-PDA

cULus Listed

AXL SE RS485 - Communication module



1088128

<https://www.phoenixcontact.com/gb/products/1088128>

Classifications

ECLASS

ECLASS-11.0	27242608
ECLASS-12.0	27242608
ECLASS-13.0	27242608

ETIM

ETIM 9.0	EC001604
----------	----------

UNSPSC

UNSPSC 21.0	32151600
-------------	----------

1088128

<https://www.phoenixcontact.com/gb/products/1088128>

Environmental product compliance

EU RoHS

Fulfills EU RoHS substance requirements	Yes
Exemption	7(c)-I

China RoHS

Environment friendly use period (EFUP)	EFUP-50
	An article-related China RoHS declaration table can be found in the download area for the respective article under "Manufacturer declaration". For all articles with EFUP-E, no China RoHS declaration table issued and required.

EU REACH SVHC

REACH candidate substance (CAS No.)	No substance above 0.1 wt%
-------------------------------------	----------------------------

EF3.0 Climate Change

CO2e kg	2.42 kg CO2e
---------	--------------

AXL SE RS485 - Communication module



1088128

<https://www.phoenixcontact.com/gb/products/1088128>

Mandatory accessories

AXL F BP SE4 - Module carrier

1088135

<https://www.phoenixcontact.com/gb/products/1088135>

Axioline F, Backplane, 4 slots for Axioline Smart Elements, transmission speed in the local bus: 100 Mbps, degree of protection: IP20



AXL F BP SE6 - Module carrier

1088136

<https://www.phoenixcontact.com/gb/products/1088136>

Axioline F, Backplane, 6 slots for Axioline Smart Elements, transmission speed in the local bus: 100 Mbps, degree of protection: IP20



Accessories

AXL SE RS485 - Communication module

1088128

<https://www.phoenixcontact.com/gb/products/1088128>

SZS 0,4X2,5 VDE - Screwdriver

1205037

<https://www.phoenixcontact.com/gb/products/1205037>



Screwdriver, slot-headed, VDE insulated, size: 0.4 x 2.5 x 80 mm, 2-component grip, with non-slip grip

CRIMPFOX 6 - Crimping pliers

1212034

<https://www.phoenixcontact.com/gb/products/1212034>



Crimping pliers, for ferrules without insulating collar according to DIN 46228 Part 1 and ferrules with insulating collar according to DIN 46228 Part 4, 0.25 mm² ... 6.0 mm², lateral entry, trapezoidal crimp

1088128

<https://www.phoenixcontact.com/gb/products/1088128>

CRIMPFOX DUO 10 - Crimping pliers

1031721

<https://www.phoenixcontact.com/gb/products/1031721>



Crimping pliers, contact connection type: Insulated and uninsulated ferrules, standards/specifications: DIN 46228-1, DIN 46228-4, UL 486F, form A, E, F, min. cross section: 0.14 mm², max. cross section: 10 mm², for TWIN ferrules up to 2 x 4 mm², automatic cross section adjustment, rotating die, lateral and frontal insertion, compression: Trapezoidal crimp, black/green

CRIMPFOX 10T-F - Crimping pliers

1134913

<https://www.phoenixcontact.com/gb/products/1134913>



Crimping pliers, contact connection type: Insulated and uninsulated ferrules, standards/specifications: DIN 46228-1, DIN 46228-4, min. cross section: 0.14 mm², max. cross section: 10 mm², For TWIN ferrules up to 2 x 4 mm², automatic cross section adjustment, frontal insertion, compression: Trapezoidal crimp, black

AXL SE RS485 - Communication module



1088128

<https://www.phoenixcontact.com/gb/products/1088128>

MM-TML (EX4,2)R C1 TR/BK - Label

0803979

<https://www.phoenixcontact.com/gb/products/0803979>



Label, Roll, transparent/black, unlabeled, can be labeled with: THERMOFOX, THERMOMARK GO, THERMOMARK GO.K, mounting type: adhesive, lettering field size: continuous x 3.2 mm, Number of individual labels: 1

SK 5,0 WH:REEL - Marker strip

0805221

<https://www.phoenixcontact.com/gb/products/0805221>



Marker strip, Roll, white, unlabeled, can be labeled with: THERMOMARK E.300 (D)/600 (D), THERMOMARK ROLL 2.0, THERMOMARK ROLL, THERMOMARK ROLL X1, THERMOMARK ROLLMASTER 300/600, THERMOMARK X1.2, mounting type: adhesive, lettering field size: continuous x 5 mm, Number of individual labels: 10

AXL SE RS485 - Communication module



1088128

<https://www.phoenixcontact.com/gb/products/1088128>

UM6M-TM (5X12) - Marker for terminal blocks

0830928

<https://www.phoenixcontact.com/gb/products/0830928>



Marker for terminal blocks, Strip, white, unlabeled, can be labeled with: TOPMARK NEO, TOPMARK LASER, BLUEMARK ID COLOR, BLUEMARK ID, BLUEMARK CLED, THERMOMARK PRIME, THERMOMARK CARD 2.0, THERMOMARK CARD, mounting type: snapped, for terminal block width: 5 mm, lettering field size: 5 x 12 mm, Number of individual labels: 24

UCT6M-TM 5 - Marker for terminal blocks

0830756

<https://www.phoenixcontact.com/gb/products/0830756>



Marker for terminal blocks, for marking ABB terminal blocks from the SNK series, Sheet, white, unlabeled, can be labeled with: THERMOMARK CARD, THERMOMARK CARD 2.0, THERMOMARK PRIME, BLUEMARK ID, BLUEMARK ID COLOR, TOPMARK LASER, TOPMARK NEO, mounting type: snapped, for terminal block width: 5.2 mm, lettering field size: 4.17 x 11.3 mm

Phoenix Contact 2024 © - all rights reserved
<https://www.phoenixcontact.com>

PHOENIX CONTACT Ltd
Halesfield 13, Telford
Shropshire, TF7 4PG
01952 681700
info@phoenixcontact.co.uk

X-ON Electronics

Largest Supplier of Electrical and Electronic Components

Click to view similar products for [Ethernet Modules](#) category:

Click to view products by [Phoenix Contact](#) manufacturer:

Other Similar products are found below :

[I350T4V2](#) [GX-OD1612](#) [TDKEZW3](#) [I350T2V2](#) [V23993-USB1029A](#) [I350T2V2BLK](#) [FC6A-PH1](#) [EM-ETH-GATEWAY-IFS](#) [EL1809](#)
[EL2622](#) [EL2904](#) [EL3052](#) [EL4022](#) [EL6021](#) [EL6224](#) [EL6631](#) [EL9011](#) [EL9100](#) [KL1002](#) [KL1104](#) [KL2602-0010](#) [KL3208-0010](#) [KL6821](#)
[KL9100](#) [KL9200](#) [X710T2L](#) [RY9012A0000GZ00#002](#) [X710T4LBLK](#) [7000-14561-7960150](#) [7000-44711-7960300](#) [7000-44711-7960750](#)
[7000-44711-7961000](#) [7000-74711-4780150](#) [7000-89701-7910500](#) [7000-P6241-P060500](#) [2352903-2](#) [BOXER-6614-A1M-1110](#) [ED-593](#) [WC-](#)
[PD13C033I-1](#) [EL2809-0015](#) [WC-PD30A012C](#) [NS8](#) [NS2](#) [NS4](#) [USR-K3](#) [USR-K2](#) [USR-TCP232-E2](#) [WC-PD13S120B](#) [WC-PD13C012S](#)
[WC-PD07H012C](#)