

# AXL SE SC-A - Cover



1088134

<https://www.phoenixcontact.com/gb/products/1088134>

Please be informed that the data shown in this PDF document is generated from our online catalog. Please find the complete data in the user documentation. Our general terms of use for downloads are valid.

Axioline Smart Elements, Slot cover, Diagnostic function, degree of protection: IP20



## Product description

You can integrate Axioline Smart Elements into systems with the Smart Element interface. This Smart Element covers an unused Smart Element slot.

## Your advantages

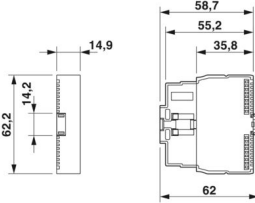
- Protects an unused Smart Element slot
- Device rating plate stored

## Commercial data

Item number	1088134
Packing unit	1 pc
Minimum order quantity	1 pc
Sales key	DRIBZ4
Product key	DRIBZ4
GTIN	4055626888118
Weight per piece (including packing)	30 g
Weight per piece (excluding packing)	27.5 g
Customs tariff number	85389091
Country of origin	DE

## Technical data

### Dimensions

Dimensional drawing	
Width	14.9 mm
Height	62.2 mm
Depth	62 mm

### Notes

#### Utilization restriction

EMC note	EMC: class A product, see manufacturer's declaration in the download area
----------	---

### Interfaces

#### Smart Element interface

Number of interfaces	1
Connection method	Card edge connector
Transmission speed	See system in which you use the Smart Element.
Start time until ready to operate	< 500 ms

### System properties

#### Module

ID code (hex)	none
Process data channel	0 bit
Input address area	0 Byte (All systems except PROFIBUS) 1 Byte (PROFIBUS)
Output address area	0 Byte
Required parameter data	1 Byte
Required configuration data	6 Byte

### Product properties

Product type	I/O component
Product family	Axioline Smart Elements
Type	modular
Mounting position	See the system in which the Smart Element is used.
Special properties	Diagnostic function

1088134

<https://www.phoenixcontact.com/gb/products/1088134>

## Insulation characteristics

Overvoltage category	II (IEC 60664-1)
Pollution degree	2 (EN 60664-1)

## Electrical properties

Maximum power dissipation for nominal condition	0 W
---	-----

### Potentials: Communications power supply of the Smart Elements ( $U_{SE}$ )

Supply voltage	using card edge connectors
----------------	----------------------------

### Electrical isolation/isolation of the voltage ranges

Test voltage: Communications supply / functional ground	500 V AC, 50 Hz, 1 min.
---	-------------------------

## Connection data

Connection method	without
-------------------	---------

## Environmental and real-life conditions

### Ambient conditions

Ambient temperature (operation)	-25 °C ... 60 °C
Degree of protection	IP20
Air pressure (operation)	70 kPa ... 106 kPa (up to 3000 m above sea level)
Air pressure (storage/transport)	70 kPa ... 106 kPa (up to 3000 m above sea level)
Ambient temperature (storage/transport)	-40 °C ... 85 °C
Permissible humidity (operation)	5 % ... 95 % (non-condensing)
Permissible humidity (storage/transport)	5 % ... 95 % (non-condensing)

## Standards and regulations

Protection class	III (IEC 61140, EN 61140, VDE 0140-1)
------------------	---------------------------------------

## Mounting

Mounting type	Smart Element slot
Mounting position	See the system in which the Smart Element is used.

# AXL SE SC-A - Cover

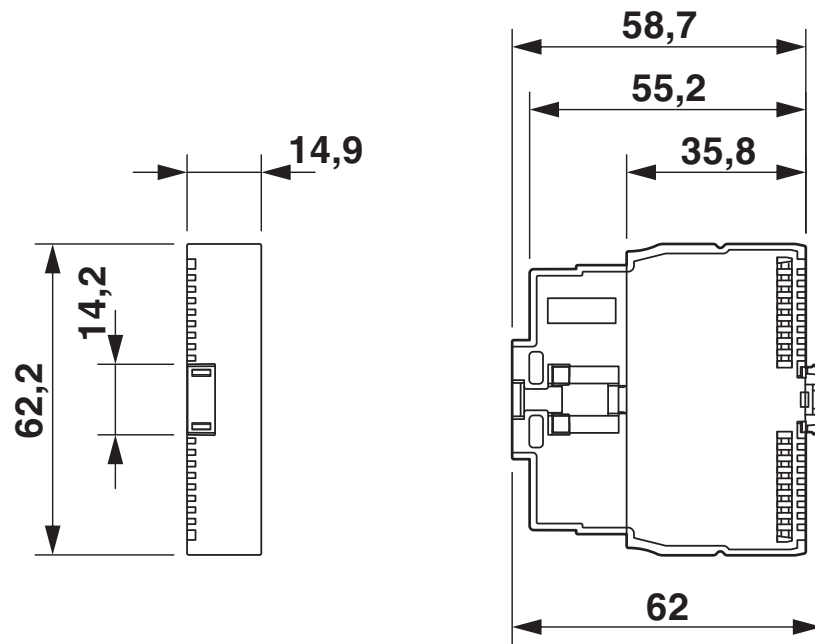
1088134

<https://www.phoenixcontact.com/gb/products/1088134>



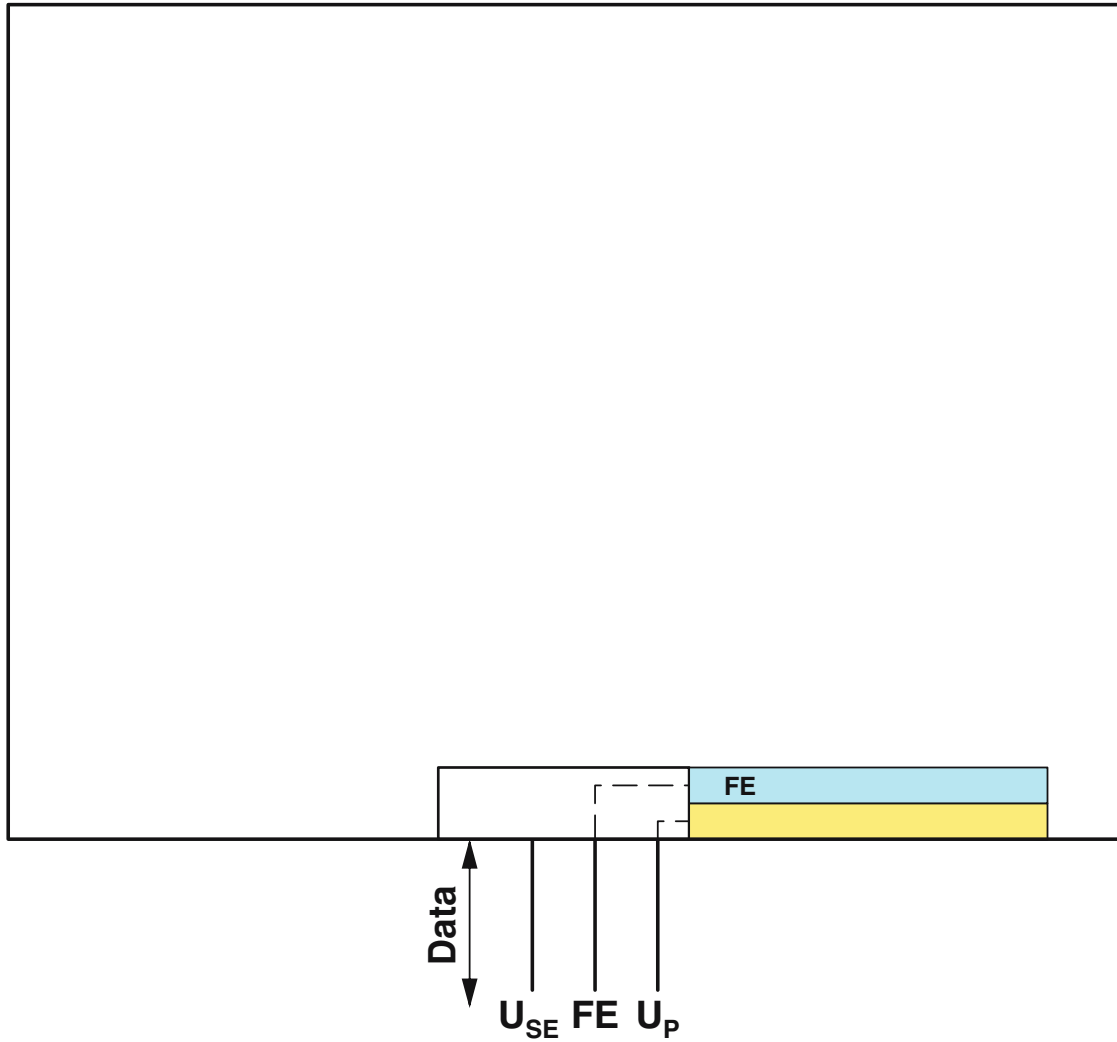
## Drawings

Dimensional drawing



## Dimensions

Block diagram




Internal wiring of the terminal points

1088134

<https://www.phoenixcontact.com/gb/products/1088134>


## Approvals


To download certificates, visit the product detail page: <https://www.phoenixcontact.com/gb/products/1088134>

 **UL Listed**  
Approval ID: E238705

 **cUL Listed**  
Approval ID: E238705

**DNV**  
Approval ID: TAA00003B0

 **LR**  
Approval ID: LR23402057TA

 **RINA**  
Approval ID: ELE263623XG

**ABS**  
Approval ID: 24-2510075-PDA

**cULus Listed**

1088134

<https://www.phoenixcontact.com/gb/products/1088134>

## Classifications

### ECLASS

ECLASS-11.0	27242692
ECLASS-13.0	27242692
ECLASS-12.0	27242692

### ETIM

ETIM 9.0	EC002584
----------	----------

### UNSPSC

UNSPSC 21.0	32151600
-------------	----------

## Environmental product compliance

### EU RoHS

Fulfills EU RoHS substance requirements	Yes
Exemption	7(c)-I

### China RoHS

Environment friendly use period (EFUP)	EFUP-50
	An article-related China RoHS declaration table can be found in the download area for the respective article under "Manufacturer declaration". For all articles with EFUP-E, no China RoHS declaration table issued and required.

### EU REACH SVHC

REACH candidate substance (CAS No.)	No substance above 0.1 wt%
-------------------------------------	----------------------------



# AXL SE SC-A - Cover

1088134

<https://www.phoenixcontact.com/gb/products/1088134>



## Mandatory accessories

### AXL F BP SE4 - Module carrier

1088135

<https://www.phoenixcontact.com/gb/products/1088135>

Axioline F, Backplane, 4 slots for Axioline Smart Elements, transmission speed in the local bus: 100 Mbps, degree of protection: IP20



---

### AXL F BP SE6 - Module carrier

1088136

<https://www.phoenixcontact.com/gb/products/1088136>

Axioline F, Backplane, 6 slots for Axioline Smart Elements, transmission speed in the local bus: 100 Mbps, degree of protection: IP20



---

## Accessories

## AXL SE SC-A - Cover

1088134

<https://www.phoenixcontact.com/gb/products/1088134>



## MM-TML (EX4,2)R C1 TR/BK - Label

0803979

<https://www.phoenixcontact.com/gb/products/0803979>



Label, Roll, transparent/black, unlabeled, can be labeled with: THERMOFOX, THERMOMARK GO, THERMOMARK GO.K, mounting type: adhesive, lettering field size: continuous x 3.2 mm, Number of individual labels: 1

---

## SK 5,0 WH:REEL - Marker strip

0805221

<https://www.phoenixcontact.com/gb/products/0805221>



Marker strip, Roll, white, unlabeled, can be labeled with: THERMOMARK E.300 (D)/600 (D), THERMOMARK ROLL 2.0, THERMOMARK ROLL, THERMOMARK ROLL X1, THERMOMARK ROLLMASTER 300/600, THERMOMARK X1.2, mounting type: adhesive, lettering field size: continuous x 5 mm, Number of individual labels: 10

# AXL SE SC-A - Cover

1088134

<https://www.phoenixcontact.com/gb/products/1088134>



## UM6M-TM (5X12) - Marker for terminal blocks

0830928

<https://www.phoenixcontact.com/gb/products/0830928>



Marker for terminal blocks, Strip, white, unlabeled, can be labeled with: TOPMARK NEO, TOPMARK LASER, BLUEMARK ID COLOR, BLUEMARK ID, BLUEMARK CLED, THERMOMARK PRIME, THERMOMARK CARD 2.0, THERMOMARK CARD, mounting type: snapped, for terminal block width: 5 mm, lettering field size: 5 x 12 mm, Number of individual labels: 24

---

## UCT6M-TM 5 - Marker for terminal blocks

0830756

<https://www.phoenixcontact.com/gb/products/0830756>



Marker for terminal blocks, for marking ABB terminal blocks from the SNK series, Sheet, white, unlabeled, can be labeled with: THERMOMARK CARD, THERMOMARK CARD 2.0, THERMOMARK PRIME, BLUEMARK ID, BLUEMARK ID COLOR, TOPMARK LASER, TOPMARK NEO, mounting type: snapped, for terminal block width: 5.2 mm, lettering field size: 4.17 x 11.3 mm

---

Phoenix Contact 2024 © - all rights reserved  
<https://www.phoenixcontact.com>

PHOENIX CONTACT Ltd  
Halesfield 13, Telford  
Shropshire, TF7 4PG  
01952 681700  
[info@phoenixcontact.co.uk](mailto:info@phoenixcontact.co.uk)

## X-ON Electronics

Largest Supplier of Electrical and Electronic Components

*Click to view similar products for [Ethernet Modules](#) category:*

*Click to view products by [Phoenix Contact](#) manufacturer:*

Other Similar products are found below :

[I350T4V2](#) [GX-OD1612](#) [TDKEZW3](#) [I350T2V2](#) [V23993-USB1029A](#) [I350T2V2BLK](#) [FC6A-PH1](#) [EM-ETH-GATEWAY-IFS](#) [EL1809](#)  
[EL2622](#) [EL2904](#) [EL3052](#) [EL4022](#) [EL6021](#) [EL6224](#) [EL6631](#) [EL9011](#) [EL9100](#) [KL1002](#) [KL1104](#) [KL2602-0010](#) [KL3208-0010](#) [KL6821](#)  
[KL9100](#) [KL9200](#) [X710T2L](#) [RY9012A0000GZ00#002](#) [X710T4LBLK](#) [7000-14561-7960150](#) [7000-44711-7960300](#) [7000-44711-7960750](#)  
[7000-44711-7961000](#) [7000-74711-4780150](#) [7000-89701-7910500](#) [7000-P6241-P060500](#) [2352903-2](#) [BOXER-6614-A1M-1110](#) [ED-593](#) [WC-](#)  
[PD13C033I-1](#) [EL2809-0015](#) [WC-PD30A012C](#) [NS8](#) [NS2](#) [NS4](#) [USR-K3](#) [USR-K2](#) [USR-TCP232-E2](#) [WC-PD13S120B](#) [WC-PD13C012S](#)  
[WC-PD07H012C](#)