

D-SUB crimp contact - CUC-DSC-J1BAU-S/DSC24 - 1418788

Please be informed that the data shown in this PDF Document is generated from our Online Catalog. Please find the complete data in the user's documentation. Our General Terms of Use for Downloads are valid (<http://phoenixcontact.com/download>)



D-SUB crimp contact, connection method: Crimp connection, connection cross section: AWG 24- 20

Product Description


Standard contact for D-SUB contact inserts

Your advantages

- Various connection methods for every application
- High grade
- Turned contact



Key Commercial Data

Packing unit	100 pc
GTIN	 4 055626 150758
GTIN	4055626150758

Technical data

Mechanical characteristics

Connection method	Crimp connection
AWG solid min.	24
AWG solid max.	20
Conductor cross section	0.2 mm ² ... 0.5 mm ²
Weight	0.211 g

Ambient conditions

Ambient temperature (operation)	-55 °C ... 130 °C
---------------------------------	-------------------

Material data

Contact surface material	0.2 µm, gold over nickel
Contact material	Copper alloy

D-SUB crimp contact - CUC-DSC-J1BAU-S/DSC24 - 1418788

Technical data

Material data

Width	1.7 mm
Height	1.7 mm
Length	13.7 mm
Mounting type	Crimp connection

Electrical characteristics

Rated current	5 A (at 20 °C)
Test voltage	1500 V

Standards and Regulations

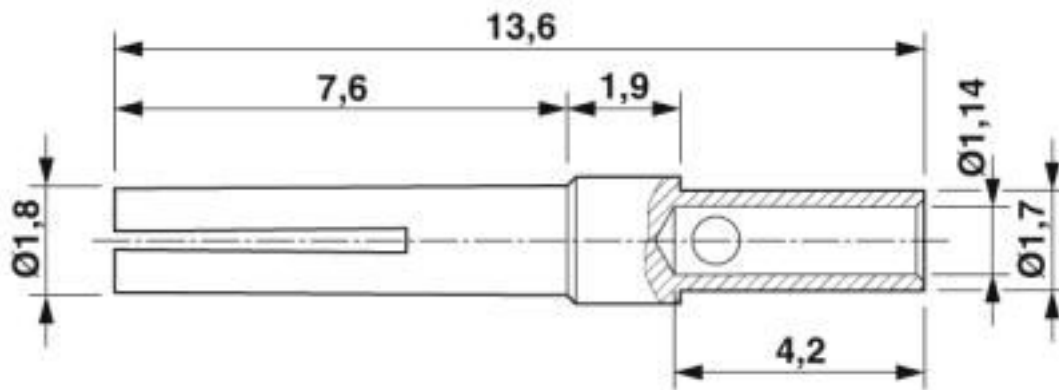
Standards/specifications	DIN 41652
--------------------------	-----------

Environmental Product Compliance

REACH SVHC	Lead 7439-92-1
China RoHS	Environmentally friendly use period: unlimited = EFUP-e
	No hazardous substances above threshold values

Drawings

Dimensional drawing



D-SUB crimp contact pin

Classifications

eCl@ss

eCl@ss 10.0.1	27440204
eCl@ss 4.0	27260700
eCl@ss 4.1	27260700
eCl@ss 5.0	27260700
eCl@ss 5.1	27261200
eCl@ss 6.0	27261200
eCl@ss 7.0	27440204

D-SUB crimp contact - CUC-DSC-J1BAU-S/DSC24 - 1418788

Classifications

eCl@ss

eCl@ss 8.0	27440204
eCl@ss 9.0	27440204

ETIM

ETIM 2.0	EC000796
ETIM 3.0	EC000796
ETIM 4.0	EC000796
ETIM 5.0	EC000796
ETIM 6.0	EC000796
ETIM 7.0	EC000796

UNSPSC

UNSPSC 6.01	30211923
UNSPSC 7.0901	39121522
UNSPSC 11	39121522
UNSPSC 12.01	39121522
UNSPSC 13.2	39121522
UNSPSC 18.0	39121522
UNSPSC 19.0	39121522
UNSPSC 20.0	39121522
UNSPSC 21.0	39121522

Approvals

Approvals

Approvals

EAC

Ex Approvals

Approval details

EAC		B.01742
-----	--	---------

Accessories

Accessories

Crimping tool

D-SUB crimp contact - CUC-DSC-J1BAU-S/DSC24 - 1418788

Accessories

Crimping pliers - CRIMPFOX-TC MP - 1212510



Crimping pliers, for turned contacts, universal cross section setting, up to a maximum of 2.5 mm², digital display with 0.01 mm increments, pressure lock can be unlocked, including positioning tool

Female insert

D-SUB contact support - VS-09-BU-DSUB-CD-B - 1688861



D-SUB contact carrier, shell size 1, for nine signal contacts, type of contact socket, for crimp contacts, straight, fixing with a 3 mm hole, for panel mounting frame and sleeve housing VS-09-...

D-SUB contact support - VS-15-BU-DSUB-CD-OG - 1688942



D-SUB contact carrier, shell size 2, for 15 signal contacts, type of contact socket, for crimp contacts, straight, fixing with a 3 mm hole, for panel mounting frame and sleeve housing VS-15-...

D-SUB contact support - VS-25-BU-DSUB-CD-B - 1689967



D-SUB contact carrier, shell size 3, for 25 signal contacts, type of contact socket, for crimp contacts, straight, fixing with a 3 mm hole, for panel mounting frame and sleeve housing VS-25-...

D-SUB contact support - VS-09-BU-DSUB-CD-G - 1688845



D-SUB contact carrier, shell size 1, for nine signal contacts, type of contact socket, for crimp contacts, straight, fixing with M thread, for panel mounting frame VS-09-...

D-SUB crimp contact - CUC-DSC-J1BAU-S/DSC24 - 1418788

Accessories

D-SUB contact support - VS-15-BU-DSUB-CD-MG - 1688926



D-SUB contact carrier, shell size 2, for 15 signal contacts, type of contact socket, for crimp contacts, straight, fixing with M3 thread, for panel mounting frame VS-15-...

D-SUB contact support - VS-25-BU-DSUB-CD-G - 1689941



D-SUB contact carrier, shell size 3, for 25 signal contacts, type of contact socket, for crimp contacts, straight, fixing with M3 thread, for panel mounting frame VS-25-...

Tool - VS-IET-DSUB-SIGNAL-STD - 1658794



Insertion/extraction tool, to insert and extract the D-SUB standard signal contacts

Phoenix Contact 2020 © - all rights reserved
<http://www.phoenixcontact.com>

PHOENIX CONTACT GmbH & Co. KG
Flachsmarktstr. 8
32825 Blomberg
Germany
Tel. +49 5235 300
Fax +49 5235 3 41200
<http://www.phoenixcontact.com>

X-ON Electronics

Largest Supplier of Electrical and Electronic Components

Click to view similar products for [Phoenix Contact](#) manufacturer:

Other Similar products are found below :

[1203259](#) [1893300](#) [1212619](#) [1927221](#) [1936102](#) [1730573](#) [3240366](#) [3240367](#) [1014246](#) [1014236](#) [1014240](#) [1014290](#) [1014293](#) [1806193](#)
[1823655](#) [1912825](#) [1842254](#) [1768260](#) [1716373](#) [1648030](#) [1579051](#) [1014235](#) [1014239](#) [1014229](#) [1212378](#) [2800744](#) [3006564](#) [2800741](#)
[5146480](#) [1623633](#) [1507793](#) [3025587](#) [3069708](#) [1431461](#) [1586976](#) [0311647](#) [1460160](#) [1771338](#) [3048387](#) [2814605](#) [0309086](#) [1513716](#)
[3035684](#) [5451417](#) [0202219](#) [1647747](#) [1730667](#) [1709267](#) [5449018](#) [0311634](#)