

## Front plate - ECS-P-122X169-S-UV1-CG - 2230011

Please be informed that the data shown in this PDF Document is generated from our Online Catalog. Please find the complete data in the user's documentation. Our General Terms of Use for Downloads are valid (<http://phoenixcontact.com/download>)

Screw locking cable gland faceplate of the ECS Family. IP66/67/69 rated when mated with associated enclosure. Color: Black (9005), Width: 163 mm, Height: 30 mm, Depth: 62 mm




### Your advantages

- Part of the EnviroCase System
- Suitable for outdoor/indoor applications
- IP66/IP67 rated with faceplate secured to the base

RoHS

### Key Commercial Data

Packing unit	5 pc
Minimum order quantity	5 pc
GTIN	 4 055626 381466
GTIN	4055626381466

### Technical data

#### Item properties

Type	ECS-P-122X169-S-UV1-CG
Order No.	2230011
Housing type	outdoor housings
Type	Screw locking
Connection	Cable gland M20 x 1.5 (6 ... 12 mm)
Impact strength	IK08
Mounting type	Screw locking
Type of locking	screw locking

#### Measurements

Width [ w ]	163 mm
Height [ h ]	30 mm
Depth [ d ]	62 mm

# Front plate - ECS-P-122X169-S-UV1-CG - 2230011

## Technical data

### Material specifications

Color (RAL)	black (9005)
Flammability rating according to UL 94	V0
Housing material	PC (polycarbonate)

### Ambient conditions

Ambient temperature (operation)	-40 °C ... 100 °C
---------------------------------	-------------------

### PCB data

Number of PCB holders	1
-----------------------	---

### Packaging information

Pieces per package	5
Denomination packing units	Pcs.

### Standards and regulations

Flammability rating according to UL 94	V0
--	----

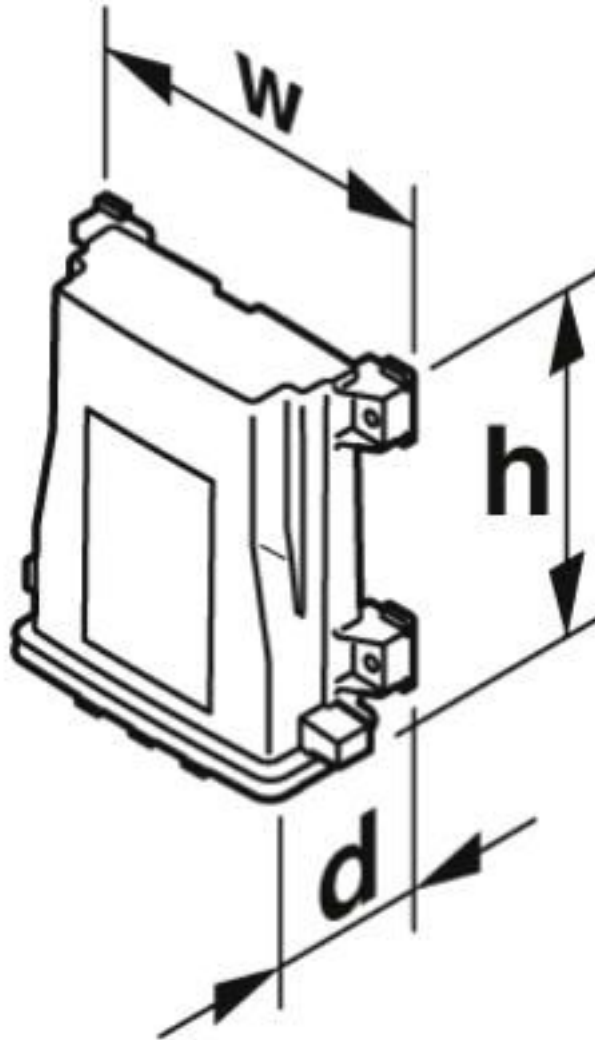
### Environmental Product Compliance

REACH SVHC	Lead 7439-92-1
China RoHS	Environmentally friendly use period: unlimited = EFUP-e
	No hazardous substances above threshold values

## Drawings

# Front plate - ECS-P-122X169-S-UV1-CG - 2230011

Dimensional drawing



## Classifications

eCl@ss

eCl@ss 10.0.1	27182702
eCl@ss 4.0	27180401
eCl@ss 4.1	27180401
eCl@ss 5.0	27180505
eCl@ss 5.1	27180505
eCl@ss 6.0	27180800
eCl@ss 7.0	27182702
eCl@ss 8.0	27182702
eCl@ss 9.0	27182702

# Front plate - ECS-P-122X169-S-UV1-CG - 2230011

## Classifications

### ETIM

ETIM 3.0	EC001031
ETIM 4.0	EC001031
ETIM 5.0	EC000058
ETIM 6.0	EC001031
ETIM 7.0	EC001031

### UNSPSC

UNSPSC 6.01	31261501
UNSPSC 7.0901	31261501
UNSPSC 11	31261501
UNSPSC 12.01	31261501
UNSPSC 13.2	31261501
UNSPSC 18.0	31261501
UNSPSC 19.0	31261501
UNSPSC 20.0	31261501
UNSPSC 21.0	31261501

## Accessories

### Accessories

#### Screwdriver tools

Screwdriver - SZS 1,0X6,5 VDE - 1205079



Screwdriver, slot-headed, VDE insulated, size: 1.0 x 6.5 x 150 mm, 2-component grip, with non-slip grip

#### Sealing plugs

Closing cap - SEALING PLUG 9X16 RD - 1400259



Closing cap, material: PA, color: red

## Additional products

## Front plate - ECS-P-122X169-S-UV1-CG - 2230011

### Accessories

Electronic housing - ECS-B-122X169-S-UV1-V - 2230002



Screw locking vented enclosure of the ECS Family. IP66/67/69 rated when mated with associated faceplate. Color: Black (9005), Width: 164 mm, Height: 176 mm, Depth: 64 mm

Electronic housing - ECS-B-122X169-S-UV1-NV - 2230003



Screw locking non-vented enclosure of the ECS family. IP66/67/69 rated when mated with associated faceplate. Color: Black (9005), Width: 164 mm, Height: 176 mm, Depth: 64 mm

Electronic housing - ECS-B-122X109-S-UV1-V - 1054710



Screw locking vented enclosure of the ECS Family. IP66/67/69 rated when mated with associated faceplate. Color: Black (9005), Width: 164 mm, Height: 116 mm, Depth: 64 mm

Electronic housing - ECS-B-122X109-S-UV1-NV - 1054711



Screw locking non-vented enclosure of the ECS family. IP66/67/69 rated when mated with associated faceplate. Color: Black (9005), Width: 164 mm, Height: 116 mm, Depth: 64 mm

Phoenix Contact 2020 © - all rights reserved  
<http://www.phoenixcontact.com>

PHOENIX CONTACT GmbH & Co. KG  
Flachsmarktstr. 8  
32825 Blomberg  
Germany  
Tel. +49 5235 300  
Fax +49 5235 3 41200  
<http://www.phoenixcontact.com>

## X-ON Electronics

Largest Supplier of Electrical and Electronic Components

*Click to view similar products for [Phoenix Contact](#) manufacturer:*

Other Similar products are found below :

[1203259](#) [1893300](#) [1212619](#) [1927221](#) [1936102](#) [1730573](#) [3240366](#) [3240367](#) [1014246](#) [1014236](#) [1014240](#) [1014290](#) [1014293](#) [1806193](#)  
[1823655](#) [1912825](#) [1842254](#) [1768260](#) [1716373](#) [1648030](#) [1579051](#) [1014235](#) [1014239](#) [1014229](#) [1212378](#) [2800744](#) [3006564](#) [2800741](#)  
[5146480](#) [1623633](#) [1507793](#) [3025587](#) [3069708](#) [1431461](#) [1586976](#) [0311647](#) [1460160](#) [1771338](#) [3048387](#) [2814605](#) [0309086](#) [1513716](#)  
[3035684](#) [5451417](#) [0202219](#) [1647747](#) [1730667](#) [1709267](#) [5449018](#) [0311634](#)