

# End clamp - E/UK

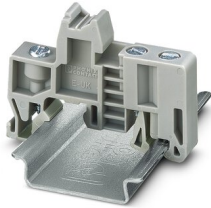


1201442

<https://www.phoenixcontact.com/us/products/1201442>

Please be informed that the data shown in this PDF document is generated from our Online Catalog. Please find the complete data in the user documentation. Our General Terms of Use for Downloads are valid.

End clamp, material: PA, color: gray, Mounting on a DIN rail NS 32 or NS 35



## Your advantages

- Large-surface labeling
- Tall and low-profile designs
- With universal foot for NS 35 and NS 32 DIN rails

## Commercial Data

Item number	1201442
Packing unit	1 pc
Minimum order quantity	50 pc
Sales Key	B17
Product Key	BE7111
Catalog Page	Page 538 (C-3-2019)
GTIN	4017918017323
Weight per Piece (including packing)	9.38 g
Weight per Piece (excluding packing)	9.1 g
Customs tariff number	39269097
Country of origin	CN

# End clamp - E/UK

1201442

<https://www.phoenixcontact.com/us/products/1201442>

## Technical Data

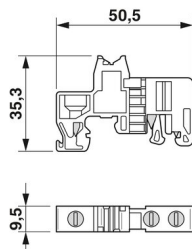
### Product properties

Product type	End block
--------------	-----------

### Connection data

Tightening torque	... 0.8 Nm
-------------------	------------

### Dimensions

Dimensional drawing	
Width	9.5 mm
Height	35.3 mm
Height NS 35/7,5	36.8 mm
Length	50.5 mm

### Material specifications

Color	gray
Material	PA
Flammability rating according to UL 94	V2
Temperature index of insulation material (DIN EN 60216-1 (VDE 0304-21))	125 °C
Relative insulation material temperature index (Elec., UL 746 B)	125 °C

### Environmental and real-life conditions

#### Ambient conditions

Ambient temperature (operation)	-60 °C ... 105 °C (max. short-term operating temperature RTI Elec.)
Ambient temperature (storage/transport)	-25 °C ... 60 °C (for a short time, not exceeding 24 h, -60 °C to +70 °C)
Ambient temperature (assembly)	-5 °C ... 70 °C
Ambient temperature (actuation)	-5 °C ... 70 °C
Permissible humidity (storage/transport)	30 % ... 70 %

### Mounting

Mounting type	NS 35/7,5
	NS 35/15
	NS 32

# End clamp - E/UK

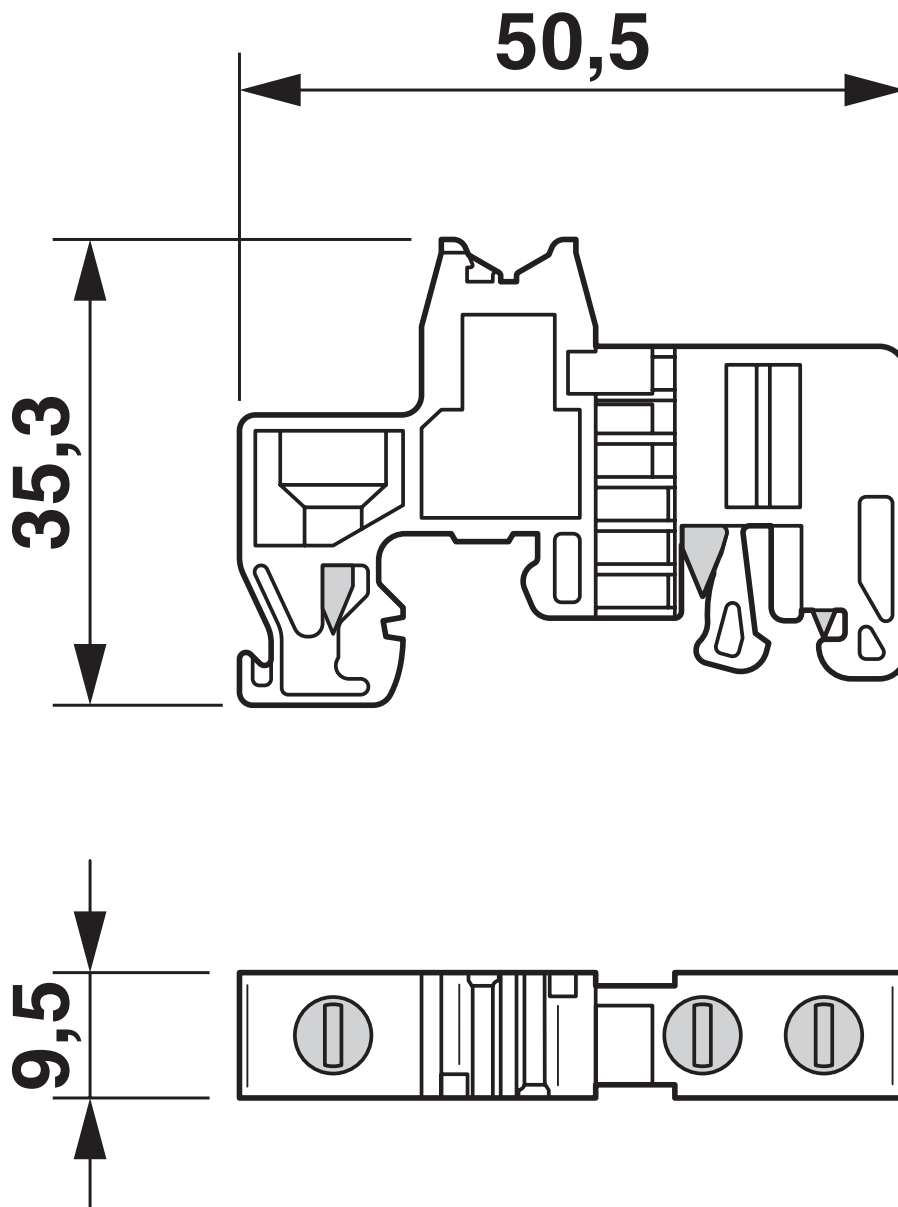
1201442

<https://www.phoenixcontact.com/us/products/1201442>



## Drawings

Dimensional drawing



# End clamp - E/UK

1201442

<https://www.phoenixcontact.com/us/products/1201442>



## Classifications

### ECLASS

ECLASS-9.0	27141135
ECLASS-10.0.1	27141135
ECLASS-11.0	27141135

### ETIM

ETIM 8.0	EC001041
----------	----------

### UNSPSC

UNSPSC 21.0	39121400
-------------	----------

# End clamp - E/UK

1201442

<https://www.phoenixcontact.com/us/products/1201442>



## Environmental Product Compliance

China RoHS	Environmentally friendly use period: unlimited = EFUP-e No hazardous substances above threshold values
------------	---

# End clamp - E/UK

1201442

<https://www.phoenixcontact.com/us/products/1201442>



## Accessories

### Marker carriers

Marker carriers - UBE + ES/KMK 3 - 1004089

<https://www.phoenixcontact.com/us/products/1004089>



Marker carrier, color: Gray for marking groups of terminals, for end clamp E/UK or end clamp E/U, with perforated insert strips, 40 x 17 mm, can be labeled with CMS system

---

### Terminal strip marker carrier

Terminal strip marker carrier - KLM-A - 1004348

<https://www.phoenixcontact.com/us/products/1004348>



Terminal strip markers, for strip marking, adjustable height, for use with end clamps E/UK, E/NS 35 N or CLIPFIX 35, lettering field size: 44 x 7 mm

## End clamp - E/UK

1201442

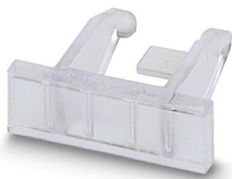
<https://www.phoenixcontact.com/us/products/1201442>



### Terminal strip marker carrier

Terminal strip marker carrier - KLM - 1004306

<https://www.phoenixcontact.com/us/products/1004306>



Terminal strip markers, for strip marking, snap onto end bracket E/UK or CLIPFIX 35, lettering field size: 25 x 6 mm

---

### DIN rail perforated

DIN rail perforated - NS 32 PERF 2000MM-VPE 10 - 1201002

<https://www.phoenixcontact.com/us/products/1201002>



DIN rail perforated, acc. to EN 60715, material: Steel, galvanized, passivated with a thick layer, G profile, color: silver, Pack of 10 (20 m)

# End clamp - E/UK

1201442

<https://www.phoenixcontact.com/us/products/1201442>



## DIN rail, unperforated

DIN rail, unperforated - NS 32 UNPERF 2000MM-VPE 10 - 1201015

<https://www.phoenixcontact.com/us/products/1201015>



DIN rail, unperforated, acc. to EN 60715, material: Steel, galvanized, passivated with a thick layer, G profile, color: silver, Pack of 10 (20 m)

---

## DIN rail perforated

DIN rail perforated - NS 35/ 7,5 PERF 2000MM - 0801733

<https://www.phoenixcontact.com/us/products/0801733>



DIN rail perforated, acc. to EN 60715, material: Steel, galvanized, passivated with a thick layer, Standard profile, color: silver, Pack of 25 (50 m)



# End clamp - E/UK

1201442

<https://www.phoenixcontact.com/us/products/1201442>



## DIN rail, unperforated

DIN rail, unperforated - NS 35/ 7,5 UNPERF 2000MM - 0801681

<https://www.phoenixcontact.com/us/products/0801681>



DIN rail, unperforated, acc. to EN 60715, material: Steel, galvanized, passivated with a thick layer, Standard profile, color: silver, Pack of 25 (50 m)

---

## DIN rail perforated

DIN rail perforated - NS 35/ 7,5 WH PERF 2000MM - 1204119

<https://www.phoenixcontact.com/us/products/1204119>



DIN rail perforated, acc. to EN 60715, material: Steel, Galvanized, white passivated, Standard profile, color: silver, Pack of 25 (50 m)

# End clamp - E/UK

1201442

<https://www.phoenixcontact.com/us/products/1201442>



## DIN rail, unperforated

DIN rail, unperforated - NS 35/ 7,5 WH UNPERF 2000MM-VPE 10 - 1204122

<https://www.phoenixcontact.com/us/products/1204122>



DIN rail, unperforated, acc. to EN 60715, material: Steel, Galvanized, white passivated, Standard profile, color: silver, Pack of 10 (20 m)

---

## DIN rail, unperforated

DIN rail, unperforated - NS 35/ 7,5 AL UNPERF 2000MM - 0801704

<https://www.phoenixcontact.com/us/products/0801704>



DIN rail, unperforated, acc. to EN 60715, material: Aluminum, uncoated, Standard profile, color: silver, Pack of 25 (50 m)

# End clamp - E/UK

1201442

<https://www.phoenixcontact.com/us/products/1201442>



## DIN rail perforated

DIN rail perforated - NS 35/ 7,5 ZN PERF 2000MM - 1206421

<https://www.phoenixcontact.com/us/products/1206421>



DIN rail perforated, acc. to EN 60715, material: Steel, galvanized, Standard profile, color: silver, Pack of 25 (50 m)

---

## DIN rail, unperforated

DIN rail, unperforated - NS 35/ 7,5 ZN UNPERF 2000MM - 1206434

<https://www.phoenixcontact.com/us/products/1206434>



DIN rail, unperforated, acc. to EN 60715, material: Steel, galvanized, Standard profile, color: silver, Pack of 25 (50 m)

# End clamp - E/UK

1201442

<https://www.phoenixcontact.com/us/products/1201442>



## DIN rail, unperforated

DIN rail, unperforated - NS 35/ 7,5 CU UNPERF 2000MM-VPE 10 - 0801762

<https://www.phoenixcontact.com/us/products/0801762>



DIN rail, unperforated, acc. to EN 60715, material: Copper, uncoated, Standard profile, color: copper-colored, Pack of 10 (20 m)

---

## End cap

End cap - NS 35/ 7,5 CAP - 1206560

<https://www.phoenixcontact.com/us/products/1206560>

DIN rail end piece, for DIN rail NS 35/7.5



# End clamp - E/UK

1201442

<https://www.phoenixcontact.com/us/products/1201442>



## DIN rail perforated

DIN rail perforated - NS 35/15 PERF 2000MM - 1201730

<https://www.phoenixcontact.com/us/products/1201730>



DIN rail perforated, similar to EN 60715, material: Steel, galvanized, passivated with a thick layer, Standard profile, color: silver, Pack of 25 (50 m)

---

## DIN rail, unperforated

DIN rail, unperforated - NS 35/15 UNPERF 2000MM - 1201714

<https://www.phoenixcontact.com/us/products/1201714>



DIN rail, unperforated, similar to EN 60715, material: Steel, galvanized, passivated with a thick layer, Standard profile, color: silver, Pack of 25 (50 m)

# End clamp - E/UK

1201442

<https://www.phoenixcontact.com/us/products/1201442>



## DIN rail perforated

DIN rail perforated - NS 35/15 WH PERF 2000MM - 0806602

<https://www.phoenixcontact.com/us/products/0806602>



DIN rail perforated, similar to EN 60715, material: Steel, Galvanized, white passivated, Standard profile, color: white, Pack of 25 (50 m)

---

## DIN rail, unperforated

DIN rail, unperforated - NS 35/15 WH UNPERF 2000MM-VPE 10 - 1204135

<https://www.phoenixcontact.com/us/products/1204135>



DIN rail, unperforated, similar to EN 60715, material: Steel, Galvanized, white passivated, Standard profile, color: silver, Pack of 10 (20 m)

# End clamp - E/UK

1201442

<https://www.phoenixcontact.com/us/products/1201442>



## DIN rail, unperforated

DIN rail, unperforated - NS 35/15 AL UNPERF 2000MM - 1201756

<https://www.phoenixcontact.com/us/products/1201756>



DIN rail, unperforated, similar to EN 60715, material: Aluminum, uncoated, Standard profile, color: silver

---

## DIN rail perforated

DIN rail perforated - NS 35/15 ZN PERF 2000MM - 1206599

<https://www.phoenixcontact.com/us/products/1206599>



DIN rail perforated, similar to EN 60715, material: Steel, galvanized, Standard profile, color: silver, Pack of 25 (50 m)

# End clamp - E/UK

1201442

<https://www.phoenixcontact.com/us/products/1201442>



## DIN rail, unperforated

DIN rail, unperforated - NS 35/15 ZN UNPERF 2000MM - 1206586

<https://www.phoenixcontact.com/us/products/1206586>



DIN rail, unperforated, similar to EN 60715, material: Steel, galvanized, Standard profile, color: silver, Pack of 25 (50 m)

---

## DIN rail, unperforated

DIN rail, unperforated - NS 35/15 CU UNPERF 2000MM-VPE 10 - 1201895

<https://www.phoenixcontact.com/us/products/1201895>



DIN rail, unperforated, similar to EN 60715, material: Copper, uncoated, Standard profile, color: copper-colored, Pack of 10 (20 m)



## End clamp - E/UK

1201442

<https://www.phoenixcontact.com/us/products/1201442>



## End cap

End cap - NS 35/15 CAP - 1206573

<https://www.phoenixcontact.com/us/products/1206573>

DIN rail end piece, for DIN rail NS 35/15



---

## DIN rail, unperforated

DIN rail, unperforated - NS 35/15-2,3 UNPERF 2000MM-VPE 10 - 1201798

<https://www.phoenixcontact.com/us/products/1201798>



DIN rail, unperforated, acc. to EN 60715, material: Steel, galvanized, passivated with a thick layer, Standard profile 2.3 mm, color: silver, Pack of 10 (20 m)

# End clamp - E/UK

1201442

<https://www.phoenixcontact.com/us/products/1201442>



## Zack marker strip

Zack marker strip - ZB 6:UNBEDRUCKT - 1051003

<https://www.phoenixcontact.com/us/products/1051003>



Zack marker strip, Strip, white, unlabeled, can be labeled with: PLOTMARK, CMS-P1-PLOTTER, mounting type: snapped, for terminal block width: 6.2 mm, lettering field size: 6.15 x 10.5 mm, Number of individual labels: 10

---

## Zack marker strip

Zack marker strip - ZB 6 CUS - 0824992

<https://www.phoenixcontact.com/us/products/0824992>



Zack marker strip, can be ordered: Strip, white, labeled according to customer specifications, mounting type: snap into tall marker groove, for terminal block width: 6.2 mm, lettering field size: 6.15 x 10.5 mm, Number of individual labels: 10

# End clamp - E/UK

1201442

<https://www.phoenixcontact.com/us/products/1201442>



## Zack marker strip

Zack marker strip - ZB 6,LGS:FORTL.ZAHLEN - 1051016

<https://www.phoenixcontact.com/us/products/1051016>



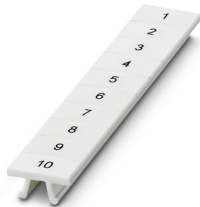
Zack marker strip, Strip, white, labeled, can be labeled with: CMS-P1-PLOTTER, printed horizontally: consecutive numbers 1 ... 10, 11 ... 20, etc. up to 491 ... 500, mounting type: snapped, for terminal block width: 6.2 mm, lettering field size: 6. 15 x 10.5 mm, Number of individual labels: 10

---

## Zack marker strip

Zack marker strip - ZB 6,QR:FORTL.ZAHLEN - 1051029

<https://www.phoenixcontact.com/us/products/1051029>



Zack marker strip, Strip, white, labeled, can be labeled with: CMS-P1-PLOTTER, Printed vertically: consecutive numbers 1 ... 10, 11 ... 20, etc. up to 491 ... 500, mounting type: snapped, for terminal block width: 6.2 mm, lettering field size: 6. 15 x 10.5 mm, Number of individual labels: 10

# End clamp - E/UK

1201442

<https://www.phoenixcontact.com/us/products/1201442>



## Zack marker strip

Zack marker strip - ZB 6,LGS:GLEICHE ZAHLEN - 1051032

<https://www.phoenixcontact.com/us/products/1051032>



Zack marker strip, Strip, white, labeled, can be labeled with: CMS-P1-PLOTTER, printed horizontally: Identical numbers 1 or 2, etc. up to 100, mounting type: snapped, for terminal block width: 6.2 mm, lettering field size: 6.15 x 10.5 mm, Number of individual labels: 10

---

## Marker for terminal blocks

Marker for terminal blocks - ZB 6,LGS:L1-N,PE - 1051414

<https://www.phoenixcontact.com/us/products/1051414>



Marker for terminal blocks, Strip, white, labeled, can be labeled with: CMS-P1-PLOTTER, horizontal: L1, L2, L3, N, PE, L1, L2, L3, N, PE, mounting type: snapped, for terminal block width: 6.2 mm, lettering field size: 6.15 x 10.5 mm, Number of individual labels: 10

# End clamp - E/UK

1201442

<https://www.phoenixcontact.com/us/products/1201442>



## Marker for terminal blocks

Marker for terminal blocks - ZB 6,LGS:U-N - 1051430

<https://www.phoenixcontact.com/us/products/1051430>



Marker for terminal blocks, Strip, white, labeled, can be labeled with: CMS-P1-PLOTTER, printed horizontally: U, V, W, N, GND, U, V, W, N, GND, mounting type: snapped, for terminal block width: 6.2 mm, lettering field size: 6.15 x 10.5 mm, Number of individual labels: 10

---

## Marker for terminal blocks

Marker for terminal blocks - UC-TM 6 - 0818085

<https://www.phoenixcontact.com/us/products/0818085>



Marker for terminal blocks, Sheet, white, unlabeled, can be labeled with: BLUEMARK ID COLOR, BLUEMARK ID, BLUEMARK CLED, PLOTMARK, CMS-P1-PLOTTER, mounting type: snapped, for terminal block width: 6.2 mm, lettering field size: 5.6 x 10.5 mm, Number of individual labels: 80

# End clamp - E/UK

1201442

<https://www.phoenixcontact.com/us/products/1201442>



## Marker for terminal blocks

Marker for terminal blocks - UC-TM 6 CUS - 0824589

<https://www.phoenixcontact.com/us/products/0824589>



Marker for terminal blocks, can be ordered: by sheet, white, labeled according to customer specifications, mounting type: snap into tall marker groove, for terminal block width: 6.2 mm, lettering field size: 5.6 x 10.5 mm, Number of individual labels: 80

---

## Marker for terminal blocks

Marker for terminal blocks - UCT-TM 6 - 0828736

<https://www.phoenixcontact.com/us/products/0828736>



Marker for terminal blocks, Sheet, white, unlabeled, can be labeled with: TOPMARK NEO, TOPMARK LASER, BLUEMARK ID COLOR, BLUEMARK ID, BLUEMARK CLED, THERMOMARK PRIME, THERMOMARK CARD 2.0, THERMOMARK CARD, mounting type: snapped, for terminal block width: 6.2 mm, lettering field size: 5.6 x 10.5 mm, Number of individual labels: 60

# End clamp - E/UK

1201442

<https://www.phoenixcontact.com/us/products/1201442>



## Marker for terminal blocks

Marker for terminal blocks - UCT-TM 6 CUS - 0829602

<https://www.phoenixcontact.com/us/products/0829602>

Marker for terminal blocks, can be ordered: by sheet, white, labeled according to customer specifications, mounting type: snap into tall marker groove, for terminal block width: 6.2 mm, lettering field size: 5.6 x 10.5 mm, Number of individual labels: 60



---

Phoenix Contact 2022 © - all rights reserved

<https://www.phoenixcontact.com>

Phoenix Contact USA  
586 Fulling Mill Road  
Middletown, PA 17057, United States  
(+717) 944-1300  
[info@phoenixcon.com](mailto:info@phoenixcon.com)

## X-ON Electronics

Largest Supplier of Electrical and Electronic Components

*Click to view similar products for [Unspecified Connectors](#) category:*

*Click to view products by [Phoenix Contact](#) manufacturer:*

Other Similar products are found below :

[01.001.6353.0](#) [1-21107-1](#) [RAD-OUT-8D-REL](#) [1409899](#) [403000A10M050](#) [01.001.6253.0](#) [QUINT-PS/1AC/48DC/10](#) [1200110](#) [1200113](#)  
[LTWBD-06PMMP-LC7001](#) [LTWBU-10PMMP-LC7001](#) [153165](#) [RC-5AS2000](#) [RAD-900-CONF-RF1](#) [RAD-CON-SMA-N-SS](#) [CABLE-](#)  
[D37SUB/B/S/400/KONFE](#) [RAD-PIG-EF316-N-RSMA](#) [RAD-ISM-2400-ANT-VAN-3-0-R](#) [RIF-0-RPT-12DC/21](#) [RIF-1-BPT/2X21](#) [RIF-RH-1](#)  
[122.012-14](#) [138.014](#) [3040](#) [18-3/4](#) [GOL BLUE 19](#) [GOL BLUE 25](#) [800307](#) [5736861](#) [1714624](#) [5772605](#) [1016808](#) [RM12BPE-6PH\(76\)](#)  
[44429310](#) [E/UK](#) [LDP-12-24DC](#) [0000000080002400](#) [0250 03](#) [0250 06](#) [0250 07](#) [0250 08](#) [0251 02](#) [0251 03](#) [0251 04](#) [0251 05](#) [0251 07](#) [0251](#)  
[08](#) [0251 09](#) [0252 02](#) [0252 03](#) [0252 04](#)