

## Park position - EV-GBDC-PARK-R - 1623496

Please be informed that the data shown in this PDF Document is generated from our Online Catalog. Please find the complete data in the user's documentation. Our General Terms of Use for Downloads are valid (<http://phoenixcontact.com/download>)



Retainer for Vehicle Connector as parking position at charging stations (EVSE), GB/T, GB/T 20234.3, Front mounting

### Product Description

Retainer for Vehicle Connector as parking position at charging stations for E-Mobility (EVSE)

### Your advantages

- Certified in accordance with IATF 16949:2016 and ISO 9001:2015



### Key Commercial Data

Packing unit	1 pc
GTIN	 4 055626 193861
GTIN	4055626193861
Weight per Piece (excluding packing)	105.000 g
Custom tariff number	39269097
Country of origin	China
Note	Made to Order (non-returnable)

### Technical data

#### Product definition

Product type	Retainer for Vehicle Connector as parking position at charging stations (EVSE)
Standards/regulations	GB/T 20234.3
Charging standard	GB/T
Charging mode	Mode 4

#### Dimensions

Height	91 mm
Width	91 mm
Depth	51 mm

## Park position - EV-GBDC-PARK-R - 1623496

### Technical data

#### Dimensions

Bore dimensions	72 mm x 72 mm
-----------------	---------------

#### Ambient conditions

Ambient temperature (operation)	-30 °C ... 50 °C
Ambient temperature (storage/transport)	-40 °C ... 80 °C
Degree of protection	IP54

#### Mechanical properties

Vehicle Connector fixing	With actuation lever
Removal of the Vehicle Connector	Lever actuation and removal

#### Mounting

Possible mounting positions	Front mounting
Restrictions to mounting position	Only 0 to 45 degree frontal inclination possible, see figure
Mounting hole diameter	6.10 mm (Reinforced hexagonal fixing with SW10)

#### Design

Housing color	black
Customer variations	On request

#### Material

Material	Plastic
Flammability rating	V0

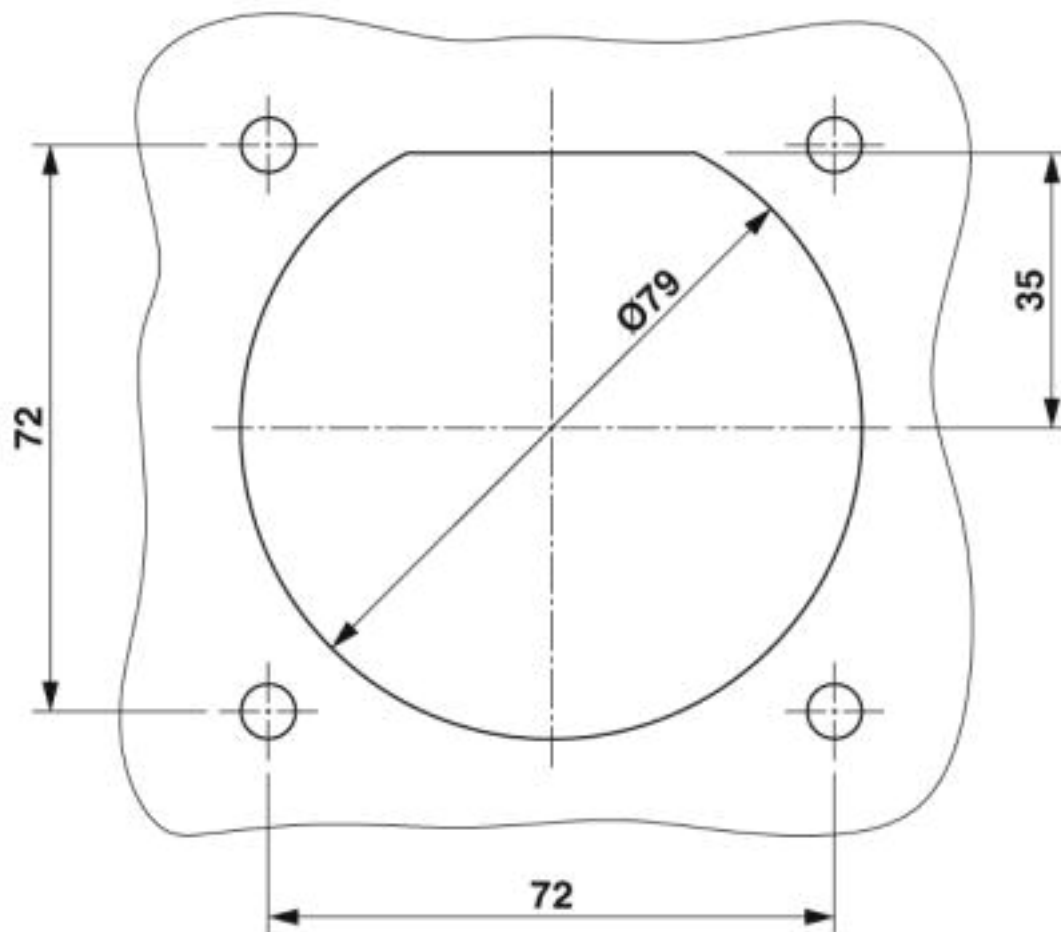
#### Environmental Product Compliance

China RoHS	Environmentally friendly use period: unlimited = EFUP-e
	No hazardous substances above threshold values

### Drawings

# Park position - EV-GBDC-PARK-R - 1623496

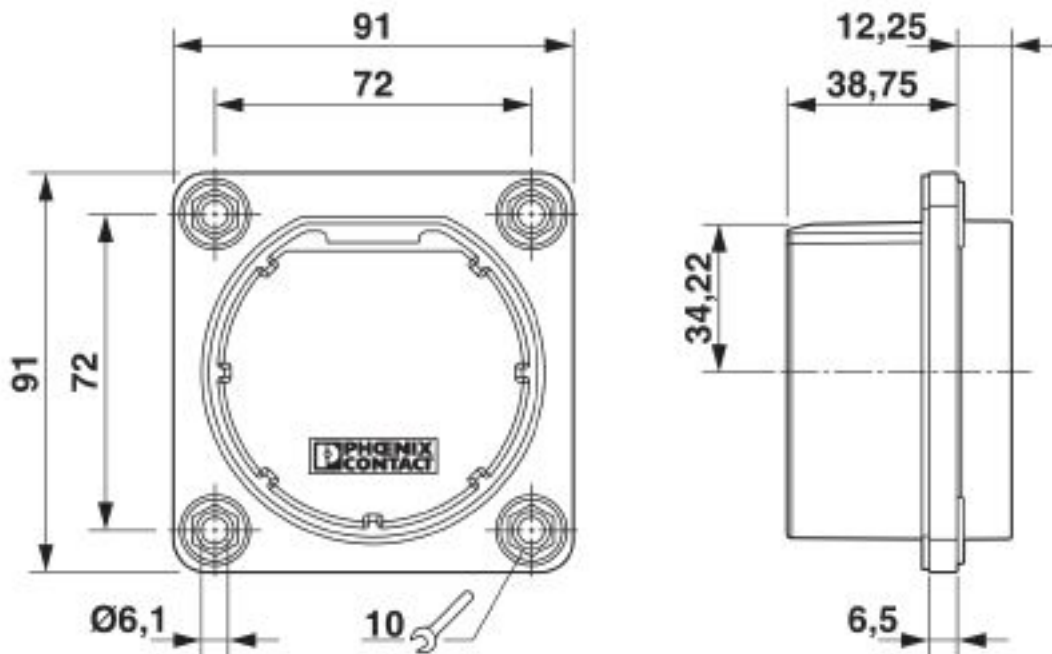
Drilling diagram



Hole image

# Park position - EV-GBDC-PARK-R - 1623496

Dimensional drawing



Dimensional drawing

## Classifications

### eCl@ss

eCl@ss 10.0.1	27144792
eCl@ss 4.0	27140800
eCl@ss 4.1	27140800
eCl@ss 5.0	27143400
eCl@ss 5.1	27143400
eCl@ss 6.0	27143400
eCl@ss 7.0	27449001
eCl@ss 8.0	27449001
eCl@ss 9.0	27144792

### ETIM

ETIM 2.0	EC000241
ETIM 3.0	EC002061
ETIM 4.0	EC002061
ETIM 5.0	EC002839
ETIM 6.0	EC002884
ETIM 7.0	EC002884

### UNSPSC

UNSPSC 6.01	30211923
-------------	----------

## Park position - EV-GBDC-PARK-R - 1623496

### Classifications

#### UNSPSC

UNSPSC 7.0901	39121522
UNSPSC 11	39121522
UNSPSC 12.01	39121522
UNSPSC 13.2	39121522
UNSPSC 18.0	39121522
UNSPSC 19.0	39121522
UNSPSC 20.0	39121522
UNSPSC 21.0	39121522

## X-ON Electronics

Largest Supplier of Electrical and Electronic Components

*Click to view similar products for [Automotive Connectors](#) category:*

*Click to view products by [Phoenix Contact](#) manufacturer:*

Other Similar products are found below :

[003-018-000](#) [60993906-B](#) [72.330.1035.1](#) [F358300-B](#) [F407400](#) [776880-1](#) [827153-1](#) [8N1515-32-24P](#) [9-1326729-8](#) [925474-1](#) [928905-1](#)  
[964562-4](#) [968782-1](#) [98891-1012](#) [12004475-L](#) [12041318-B](#) [12052466](#) [12015909](#) [1-21030-1](#) [12041318](#) [12047957](#) [12185550](#) [12336-12](#)  
[12147304](#) [13681974](#) [13783086](#) [13832576](#) [13542772](#) [13675513](#) [13964573](#) [1428188-1](#) [1437287-3](#) [1438231-5](#) [1428188-2](#) [DS07-19S-5020](#)  
[1456983-5](#) [1456987-7](#) [APD-7CP-H](#) [APK-SB25A10L](#) [1452931-2](#) [15491972](#) [15305306](#) [15396680](#) [15425613](#) [15518544](#) [15522351](#) [1719636-](#)  
[1](#) [172190-2](#) [172190-5](#) [192900-0024](#)