

# Cable gland - G-INS-M25-L68N-PNES-BK - 1424482

Please be informed that the data shown in this PDF Document is generated from our Online Catalog. Please find the complete data in the user's documentation. Our General Terms of Use for Downloads are valid (<http://phoenixcontact.com/download>)



Cable gland, cable gland material: PA, external cable diameter 13 mm ... 18 mm, shielding: no, connecting thread: M25 x 1.5, color: jet black RAL 9005

## Your advantages

- ✔ Plastic material conforms to UL 746C f1



## Key Commercial Data

|                        |               |
|------------------------|---------------|
| Packing unit           | 5 pc          |
| Minimum order quantity | 5 pc          |
| GTIN                   |               |
| GTIN                   | 4055626373126 |

## Technical data

### Dimensions

|                                 |                                |
|---------------------------------|--------------------------------|
| Length                          | 42 mm                          |
| Wrench size, union nut          | 33 mm                          |
| Wrench size, support            | 33 mm                          |
| Hexagon angular dimension       | 33.5 mm                        |
| Length of the connecting thread | 10 mm                          |
| Feed-through hole diameter      | 25.1 mm ... 25.2 mm            |
| External cable diameter         | 13 mm ... 18 mm                |
|                                 | 13 mm ... 18 mm (for UL 514 B) |

### Ambient conditions

|                                 |                            |
|---------------------------------|----------------------------|
| Degree of protection (IP)       | IP68 (5 bar / 0.5 h)       |
|                                 | IP66                       |
| Ambient temperature (operation) | -40 °C ... 100 °C (static) |

### General

# Cable gland - G-INS-M25-L68N-PNES-BK - 1424482

## Technical data

### General

|  |   |
|--|---|
| No. of conductors                      | 1   |
| Cable gland material                   | PA  |
| Cable seal material                    | CR  |
| Flammability rating according to UL 94 | V2  |
|  | V2 (Housing)  |
| Shielded                               | no  |
| Thread type on connection side         | M25 x 1.5   |
| Torque                                 | 3.5 Nm (Union nut: EN 62444)  |
|  | 3.5 Nm (Support: EN 62444)  |
|  | 9 Nm (for UL514 B: union nut)   |
| Color                                  | jet black RAL 9005  |
| Impact category                        | 4   |
| Execution of the strain relief         | A   |
| Assembly instructions                  | 1) Mount screw connection support in the housing using the correct torque 2) Insert cable 3) Tighten union nut using the correct torque |
| Manufacturer                           | BIMED   |
| Manufacturer Designation               | BM-25   |

### Standards and Regulations

|  |    |
|--|----|
| Flammability rating according to UL 94 | V2 |
|--|----|

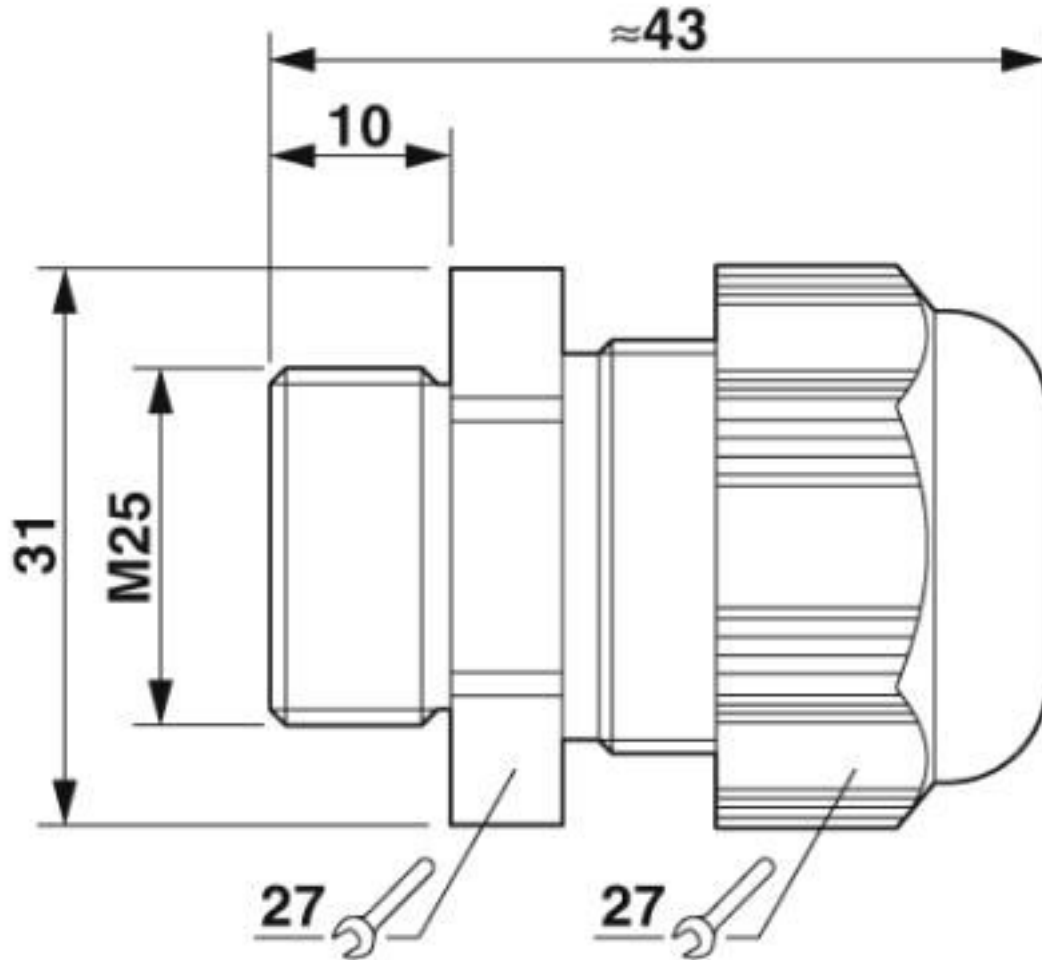
### Environmental Product Compliance

|            |   |
|------------|---|
| China RoHS | Environmentally friendly use period: unlimited = EFUP-e |
|            | No hazardous substances above threshold values          |

## Drawings

# Cable gland - G-INS-M25-L68N-PNES-BK - 1424482

Dimensional drawing



Dimensional drawing

## Classifications

eCl@ss

|               |          |
|---------------|----------|
| eCl@ss 10.0.1 | 27144432 |
| eCl@ss 4.0    | 27141200 |
| eCl@ss 4.1    | 27141200 |
| eCl@ss 5.0    | 27149100 |
| eCl@ss 5.1    | 27149109 |
| eCl@ss 6.0    | 27149100 |
| eCl@ss 7.0    | 27149109 |
| eCl@ss 8.0    | 27149109 |
| eCl@ss 9.0    | 27144432 |

# Cable gland - G-INS-M25-L68N-PNES-BK - 1424482

## Classifications

### ETIM

|          |          |
|----------|----------|
| ETIM 5.0 | EC000441 |
| ETIM 6.0 | EC000441 |
| ETIM 7.0 | EC000441 |

## Approvals

### Approvals

#### Approvals

CSA / UL Recognized / cUL Recognized / cULus Recognized

#### Ex Approvals

### Approval details

|     |  |   |        |
|-----|--|---|--------|
| CSA |  | <a href="http://www.csagroup.org/services-industries/product-listing/">http://www.csagroup.org/services-industries/product-listing/</a> | 115116 |
|-----|--|---|--------|

|               |  |   |         |
|---------------|--|---|---------|
| UL Recognized |  | <a href="http://database.ul.com/cgi-bin/XYV/template/LISEXT/1FRAME/index.htm">http://database.ul.com/cgi-bin/XYV/template/LISEXT/1FRAME/index.htm</a> | E199260 |
|---------------|--|---|---------|

|                |  |   |         |
|----------------|--|---|---------|
| cUL Recognized |  | <a href="http://database.ul.com/cgi-bin/XYV/template/LISEXT/1FRAME/index.htm">http://database.ul.com/cgi-bin/XYV/template/LISEXT/1FRAME/index.htm</a> | E199260 |
|----------------|--|---|---------|

|                  |  |  |  |
|------------------|--|--|--|
| cULus Recognized |  |  |  |
|------------------|--|--|--|

## Accessories

### Accessories

Flat nut

## Cable gland - G-INS-M25-L68N-PNES-BK - 1424482

### Accessories

Counter nut - A-INL-M25-P-BK - 1411216



Counter nut, material: PA, for threads M25 x 1.5, color: jet black RAL 9005

---

### Sealing plugs

Closing cap - SEALING PLUG 14X22 RD - 1400270



Closing cap, material: PA, for threads pluggable, color: red

---

Phoenix Contact 2020 © - all rights reserved  
<http://www.phoenixcontact.com>

PHOENIX CONTACT GmbH & Co. KG  
Flachsmarktstr. 8  
32825 Blomberg  
Germany  
Tel. +49 5235 300  
Fax +49 5235 3 41200  
<http://www.phoenixcontact.com>

## X-ON Electronics

Largest Supplier of Electrical and Electronic Components

*Click to view similar products for [Phoenix Contact](#) manufacturer:*

Other Similar products are found below :

[1203259](#) [1893300](#) [1212619](#) [1927221](#) [1936102](#) [1730573](#) [3240366](#) [3240367](#) [1014246](#) [1014236](#) [1014240](#) [1014290](#) [1014293](#) [1806193](#)  
[1823655](#) [1912825](#) [1842254](#) [1768260](#) [1716373](#) [1648030](#) [1579051](#) [1014235](#) [1014239](#) [1014229](#) [1212378](#) [2800744](#) [3006564](#) [2800741](#)  
[5146480](#) [1623633](#) [1507793](#) [3025587](#) [3069708](#) [1431461](#) [1586976](#) [0311647](#) [1460160](#) [1771338](#) [3048387](#) [2814605](#) [0309086](#) [1513716](#)  
[3035684](#) [5451417](#) [0202219](#) [1647747](#) [1730667](#) [1709267](#) [5449018](#) [0311634](#)