

Cable gland - G-INS-PG11-M68N-PNES-LG



1424487

<https://www.phoenixcontact.com/pc/products/1424487>

Please be informed that the data shown in this PDF document is generated from our Online Catalog. Please find the complete data in the user documentation. Our General Terms of Use for Downloads are valid.



Cable gland, cable gland material: PA, external cable diameter 5 mm ... 10 mm, shielding: no, connecting thread: Pg11, color: lightgrey RAL 7035

Your advantages

- Plastic material conforms to UL 746C f1

Cable gland - G-INS-PG11-M68N-PNES-LG



1424487

<https://www.phoenixcontact.com/pc/products/1424487>

Commercial Data

Item number	1424487
Packing unit	5 pc
Minimum order quantity	5 pc
Product Key	BF7DCX
Catalog Page	Page 687 (C-2-2019)
GTIN	4055626373171
Weight per Piece (including packing)	9.433 g
Weight per Piece (excluding packing)	9.02 g
Customs tariff number	39269097
Country of origin	TR

Cable gland - G-INS-PG11-M68N-PNES-LG



1424487

<https://www.phoenixcontact.com/pc/products/1424487>

Technical Data

Product properties

Product type	Full screw connection
No. of conductors	1
Manufacturer	BIMED
Manufacturer Designation	BS-13
Shielded	no

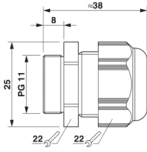
Characteristics

Tightening torque	2.5 Nm \pm 0.5 Nm ()
	2 Nm (Support sleeve)

Ambient conditions

Degree of protection	IP68 (5 bar / 0.5 h)
Ambient temperature (operation)	-40 °C ... 100 °C (static)

Dimensions

Dimensional drawing	
Length	38 mm
Length of the connecting thread	8 mm
Hole diameter	18.7 mm ... 18.8 mm
Wrench size, union nut	22 mm
Wrench size, support	22 mm
Hexagon angular dimension	25 mm
Thread type connection side	Pg11

Material specifications

Color	lightgrey RAL 7035
Flammability rating according to UL 94	V2
Cable seal material	CR
Cable gland material	PA

Cable / line

Cable structure	
External cable diameter	5 mm ... 10 mm
	5 mm ... 10 mm (for UL 514 B)

Mounting

Cable gland - G-INS-PG11-M68N-PNES-LG



1424487

<https://www.phoenixcontact.com/pc/products/1424487>

Assembly instructions

1) Mount screw connection support in the housing using the correct torque 2) Insert cable 3) Tighten union nut using the correct torque

Cable gland - G-INS-PG11-M68N-PNES-LG

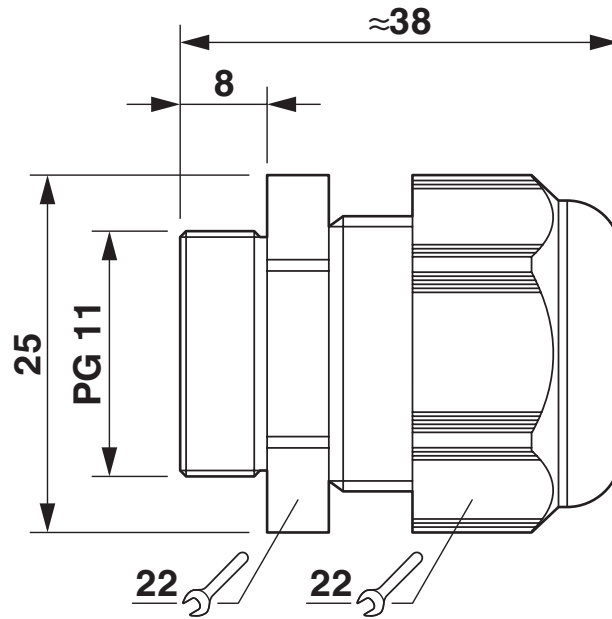
1424487

<https://www.phoenixcontact.com/pc/products/1424487>



Drawings

Dimensional drawing



Dimensional drawing

Cable gland - G-INS-PG11-M68N-PNES-LG



1424487

<https://www.phoenixcontact.com/pc/products/1424487>

Approvals

DNV

Approval ID: TAE00003WX



CSA

Approval ID: 115116

	Nominal Voltage U_N	Nominal Current I_N	Cross Section AWG	Cross Section mm^2
External reference			-	-



cUL Recognized

Approval ID: E199260



UL Recognized

Approval ID: E199260

cULus Recognized

Cable gland - G-INS-PG11-M68N-PNES-LG



1424487

<https://www.phoenixcontact.com/pc/products/1424487>

Classifications

ECLASS

ECLASS-9.0	27144432
ECLASS-10.0.1	27144432
ECLASS-11.0	27144432

ETIM

ETIM 8.0	EC000441
----------	----------

UNSPSC

UNSPSC 21.0	39121300
-------------	----------

Phoenix Contact 2022 © - all rights reserved

<https://www.phoenixcontact.com>

PHOENIX CONTACT GmbH & Co. KG

Flachmarktstraße 8

D-32825 Blomberg

+49 (0) 5235-3 00

info@phoenixcontact.com

X-ON Electronics

Largest Supplier of Electrical and Electronic Components

Click to view similar products for [Cable Glands, Strain Reliefs & Cord Grips](#) category:

Click to view products by [Phoenix Contact](#) manufacturer:

Other Similar products are found below :

[1218](#) [1300980012](#) [1300980105](#) [DBZM-6828](#) [1498](#) [15190-103 R2](#) [915](#) [300623](#) [5632NM](#) [1124](#) [1151](#) [561-MP6P4WH](#) [5534M](#) [VC-M-KV-PG16 1X3/1X8](#) [5525](#) [9000005073](#) [5315817](#) [N16 025 0112 1](#) [N16 020 0112 1](#) [M6106](#) [7422](#) [NG-9516 Gasket](#) [N16 016 0112 1](#) [BM4940L](#) [BM4950L](#) [1.209.1218.70](#) [1.209.6400.70](#) [1.209.6400.71](#) [1.262.4200.11](#) [52015760](#) [52024853](#) [52103150](#) [53119073](#) [54115405](#) [52004120](#) [APGPG36BA](#) [1300990004](#) [G-INS-PG9-M68N-PNES-BK](#) [G-INS-M16-T68N-PNES-BK](#) [G-INS-M20-M68N-PNES-BK](#) [G-INS-M25-S68N-PNES-S](#) [1.089.0902.19](#) [1.089.0904.19](#) [1.089.0999.19](#) [1.089.1102.19](#) [1.089.1399.19](#) [1.251.2900.11](#) [1.251.4000.50](#) [1.251.4200.11](#) [1.293.1100.15](#)