

HEAVYCON EVO

Market requirements

- Cost-efficiency
- Logistic-efficiency
- Easy to install
- Ecologically aspects



HEAVYCON EVO

Product introduction

The evolution in heavy-duty connectors

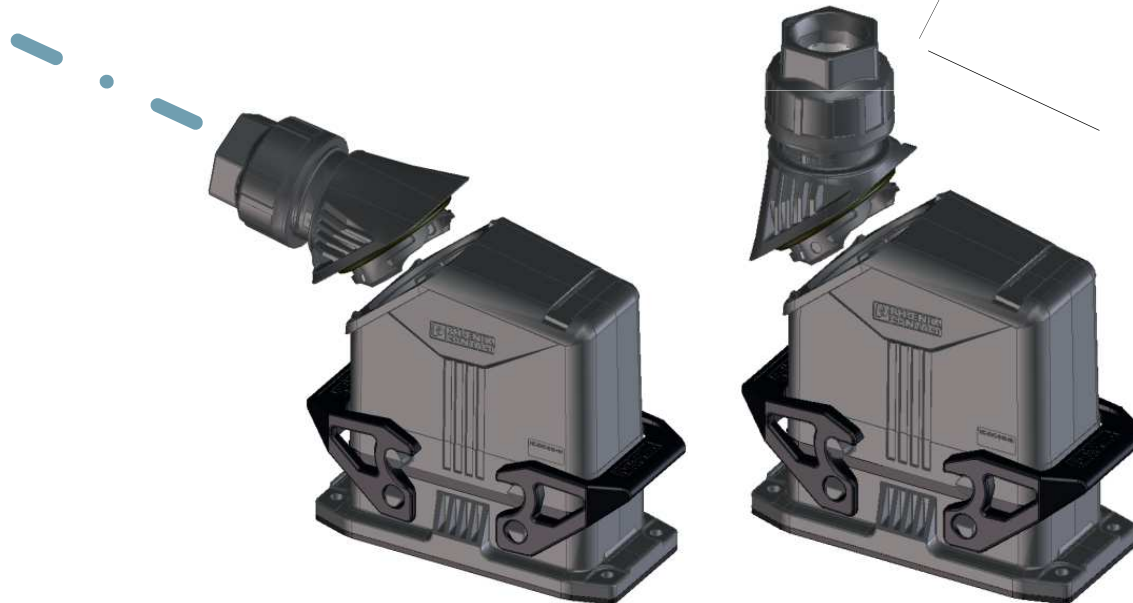


HEAVYCON EVO

Product introduction



M20, M25, M32 and M40



IP65 /
NEMA 4X

HC EVO-Lock:
Cable gland with
bayonett lock

HEAVYCON EVO

Product introduction

Metal inlays ensure premating PE contact

DIN EN 61 984
DIN EN 60 664-1
UL 1977



Two metal inlays are used in the housings to fix the contact inserts and coding screws.

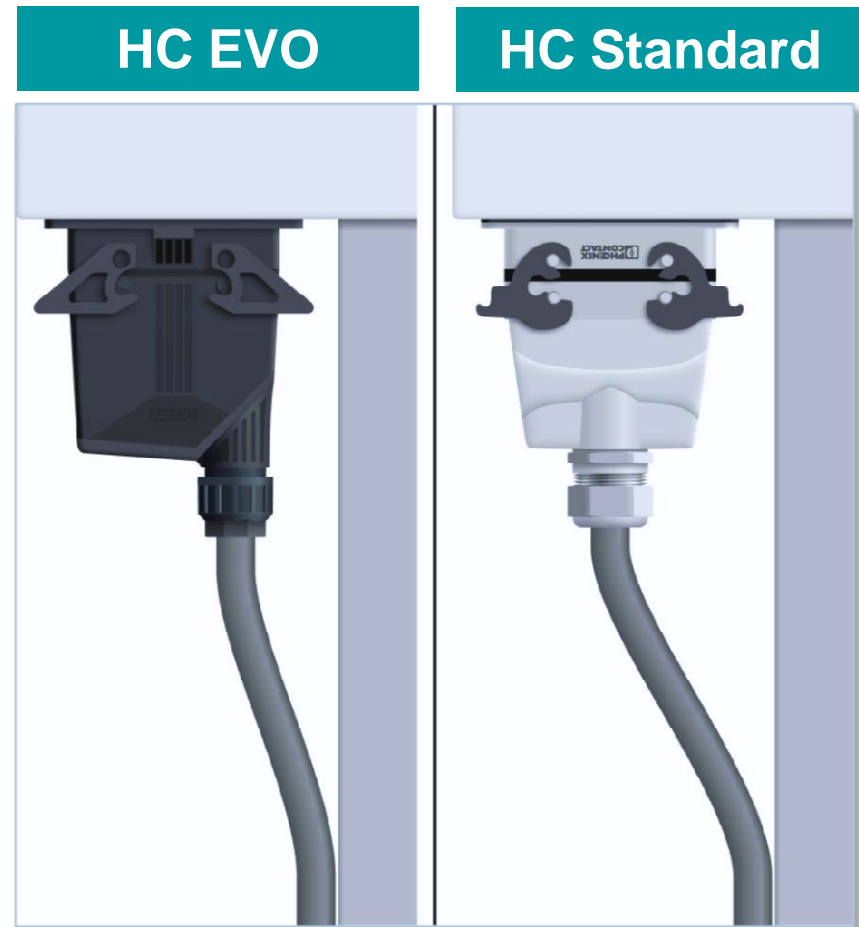
Meanwhile they serve as an electric bridge between PE-contact of the male and female inserts, so as to ensure the conformity to norms.

HEAVYCON EVO

Product introduction

Asymmetric top entry

- Good ergonomics
- Smart cable leading



HEAVYCON EVO

Product introduction

Mounting by hand



Dismounting with tool



HEAVYCON EVO

Product introduction

Easy installation due to HC EVO-Lock

HC EVO



HC Standard

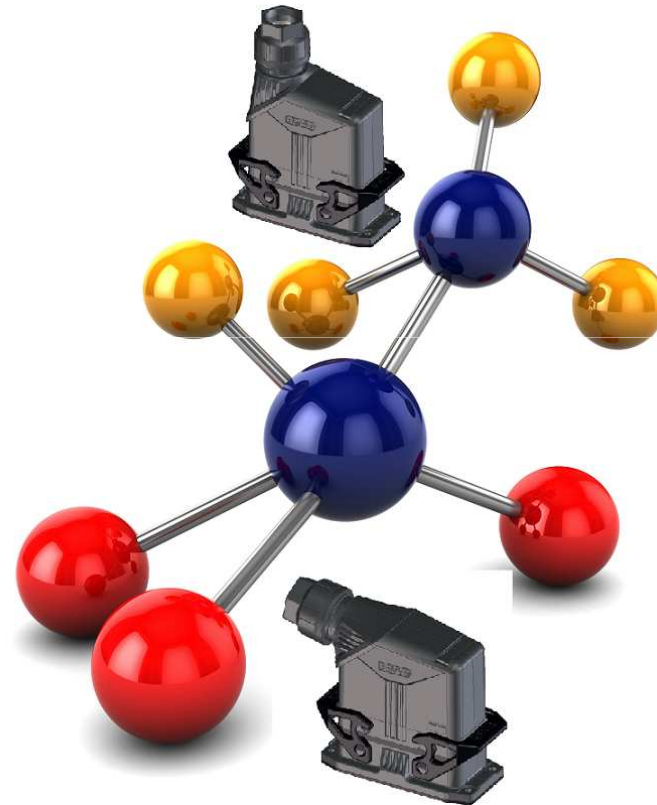


HEAVYCON EVO

Product introduction

Advantages of plastic material

- Cost-saving of 25%
- 50% reduction in weight
- 80% energy saving in production (plastic vs. aluminium)
- Excellent mechanical properties, high resistance against environmental influences. (IK08)
- Suitable for protection class II
- Halogen free and guaranteed UL94 V0 (flammability retardance class)



HEAVYCON EVO

Product introduction



Sustainable use of resources

PP KEA : 118,8 MJ/Kg

Alu KEA : 193,3 MJ/Kg

Tabelle 2: Produktionsenergie als kumulierter Energieaufwand (KEA) im Vergleich zu Beschaffungs- und Entsorgungskosten von Kunststoffen und anderen Materialien

| Material | KEA MJ/kg | Beschaffungskosten | | Heizwert MJ/kg |
|---------------------------|-----------|--------------------|-----------|----------------|
| | | €/t | €/MWh KEA | |
| Naphtha (Rohbenzin) | 55 | 332 | 21,7 | 43,5 |
| LDPE Folie | 91,8 | 800 | 31,4 | 46 |
| HDPE Folie | 99,8 | 800 | 28,9 | 46 |
| PP Spritzguss | 118,8 | 850 | 25,7 | 44 |
| PVC Folie | 66,3 | 820 | 44,6 | 20 |
| PS (high impact) | 91,8 | 860 | 33,7 | 46 |
| PET Flasche | 101,4 | 1060 | 37,6 | 46 |
| PET Folie | 109,2 | 1020 | 33,6 | 46 |
| Stahl | 35,8 | 247 | 24,8 | 0 |
| Aluminium | 193,3 | 1450 | 27,0 | 0 |
| Weißglas | 12,7 | 140 | 39,6 | 0 |
| Wellpappe, Karton | 19,8 | 160 | 29,1 | 15 |
| Papier (grafische etc.) | 44,8 | 500 | 40,2 | 17 |
| Holzspäne f. Pressplatten | 17,0 | 55 | 11,6 | 16 |
| Stammholz, frisch | 14,0 | 150 | 38,6 | 10 |
| Stammholz, getrocknet | 19,0 | 220 | 41,7 | 15 |

Ecological backback factors:
5 for plastics / 75 for aluminium

HEAVYCON EVO

Product introduction

Complete programm

- The HC-EVO hoods made of plastic are available in size of **B6, B10, B16 and B24** with single or double locking latches.
- The corresponding housings are bulkhead housings, panel mount housings and coupling housing **with or without protection cover**.
- All cable glands of standard sizes from **M20 to M40** are covered with the HEAVYCON EVO-Lock-connection.



HEAVYCON EVO

Product introduction

Fully compatible

Fits to all standard and HC modular inserts



Fully compatible to the aluminium housings of all competitors

HEAVYCON EVO

Product introduction

Advantages of the surface mount housing

- The covers are removeable to both sides
- The locking latches are changeable
- Variants are 50% reduced through optional single & double cable entry (lid can be broken out)



HEAVYCON EVO – safety and stability



Robust



Protection type IP65



Pull test



Compatible



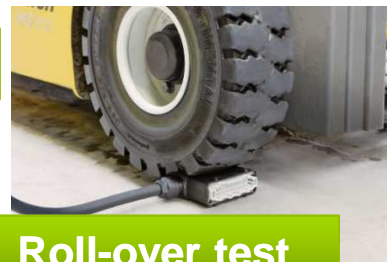
Vibration test



-40°C to +125°C approved



Impact test IK08



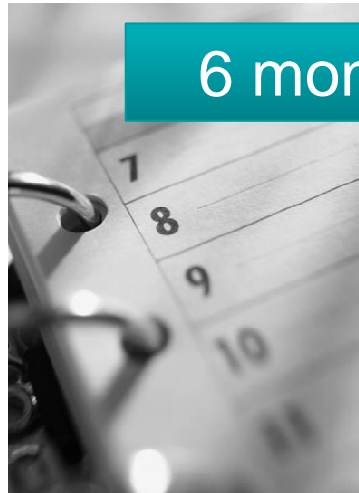
Roll-over test

Robust and compatible as metal housings!

HEAVYCON EVO

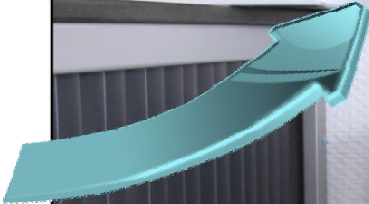
Safety and stability

Long term rugged locking latches



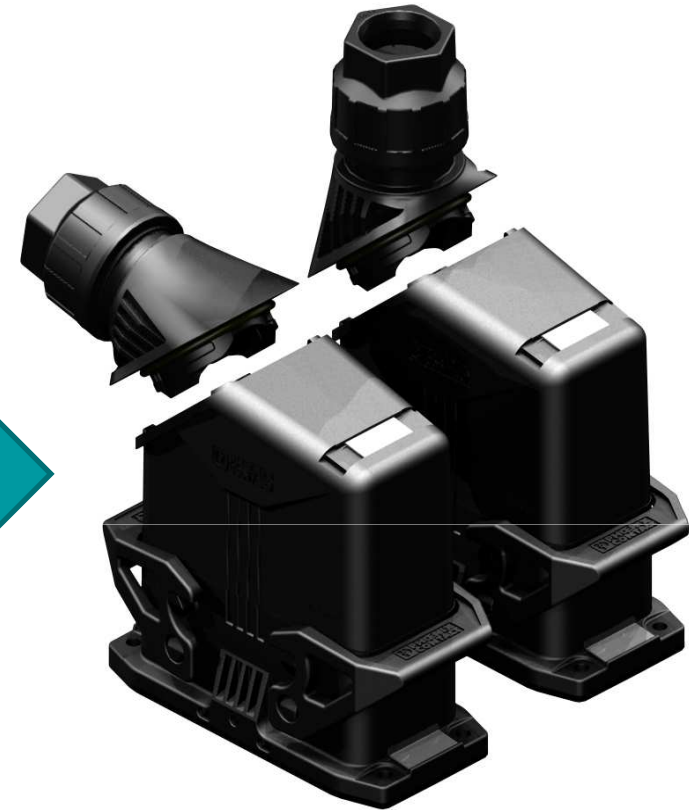
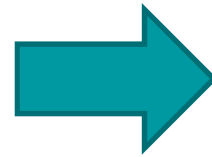
6 months

stress



4 kg

The evolution in heavy duty connectors



**70% Reduction of Variants
means greater stock availability**

HEAVYCON EVO

Typ-ident

EVO-housings

| | | | | | | | | | | | | | | |
|----|-------|-------|-----|---|----|---|-----|---|-----|------|-------|----|----|----|
| 1 | 2 | 3 | 4 | 5 | 5 | 6 | 7 | 8 | 9 | 10 | 11 | 12 | 14 | 26 |
| HC | - EVO | - B06 | - H | L | FS | C | - 1 | G | M25 | - PL | BK | | | |
| HC | - EVO | - B10 | - B | L | WS | C | - 2 | S | S | M32 | - PLR | BK | | 21 |
| HC | - EVO | - B16 | - S | L | FD | C | - 2 | S | S | PG13 | - PLR | BK | | 29 |
| HC | - EVO | - B16 | - S | L | FD | C | - 2 | S | S | PG13 | - PLR | BK | | 30 |
| HC | - EVO | - B24 | - C | H | WD | | - 1 | T | T | M40 | - PLV | BK | | 28 |

HEAVYCON

SERIES:

EVO = EVOLUTION

HOUSING TYPE & SIZE:

HOUSING TYPE

H = HOOD
 B = PANEL BASE / BULKHEAD HOUSING
 S = SURFACE MOUNT HOUSING
 C = COUPLER HOOD

CONSTRUCTION HEIGHT

H = HIGH CONSTRUCTION
 L = LOW CONSTRUCTION

CONNECTOR FIXING:

WS = WITH SINGLE LEVER
 WD = WITH DOUBLE LEVER
 FS = FOR SINGLE LEVER
 FD = FOR DOUBLE LEVER

DUST COVER:

C = PLASTIC
 CM = METAL

NUMBER OF GLAND ENTRIES:

LOCATION OF GLAND ENTRY

T = TOP
 S = SIDE

TYPE OF ENTRY

G = WITH CABLE GLAND

THREAD TYPE AND SIZE

MATERIAL TYPE AND FINISH

PLR = PLASTIC with NBR RUBBER SEALING PROFILE
 PLV = PLASTIC with VITON SEALING PROFILE

HOUSING COLOUR:

BK = BLACK

HEAVYCON EVO

Key features

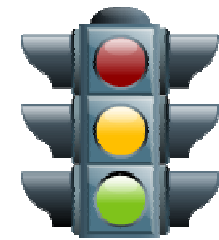
Reduction of total cost of ownership





- Less design-in costs
- Less master data in the system
- Less equipment costs in the production
- Less stock-keeping / logistics worldwide till to end customers. (15 -20 % of logistic costs is reduced by the rotatable uniform connection EVO-Lock)
- Less re-ordering positions
- Larger ordering quantity of the same type
- Less inventory holding and capital lock-up for PxC, for subsidiaries , for distributors and for end customers.
- Better availability worldwide

HEAVYCON EVO

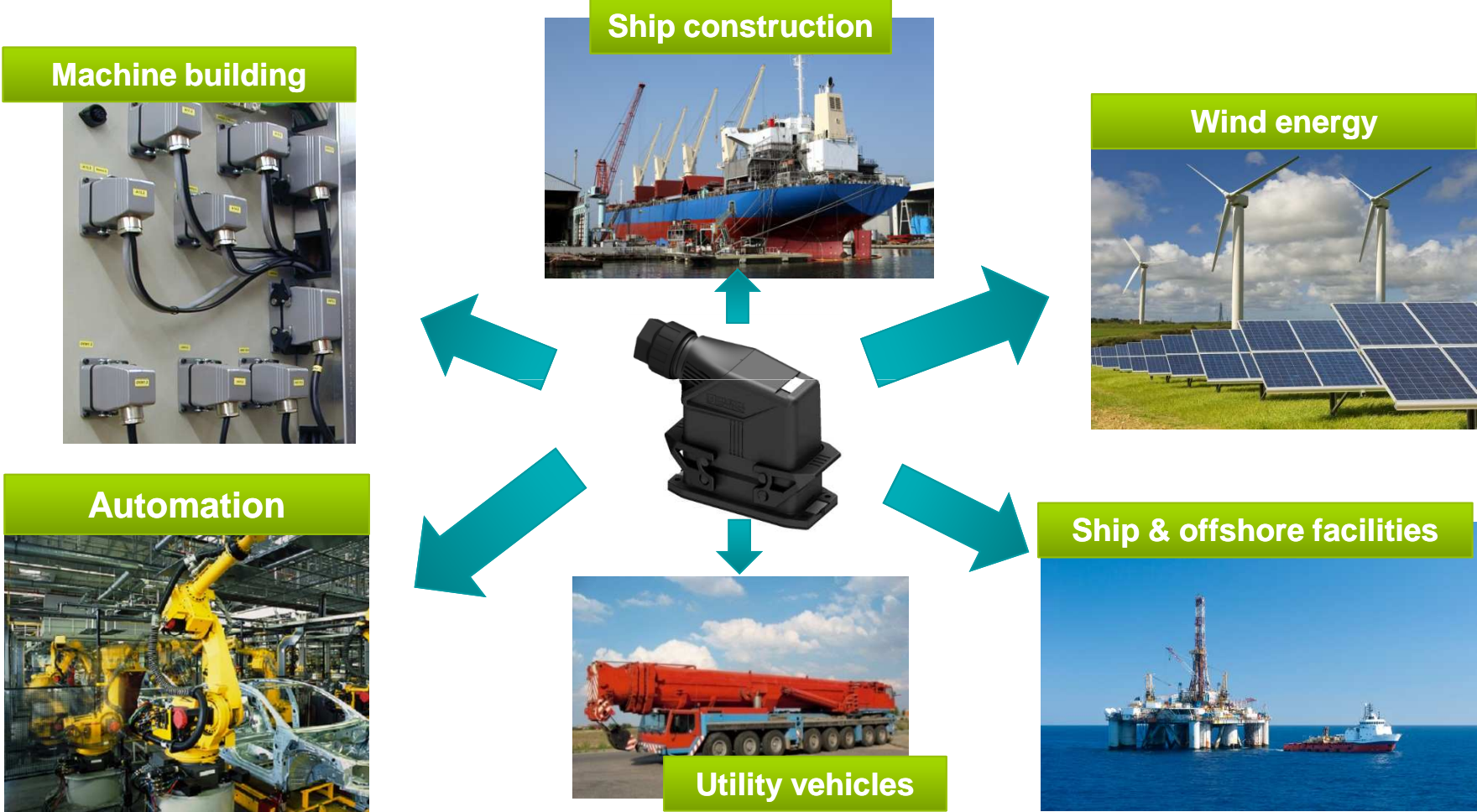
Comparison with competitor products



| |  |  |  |
|---|---|--|---|
| Material | Plastic  | Plastic  | Plastic  |
| Connection to cable glands | Metric thread  | Metric thread  | HC EVO-Lock  |
| Product range | Only Double Locks  | Just one housing height  | Full program  |
| Range of cable glands | M32, M40  | M25-M40  | M20-M40  |
| Compatibility to the Standard housings | No  | Conditionally compatible  | Fully compatible  |
| Compatibility to the Inserts | Only compatible to modular inserts  | Fully compatible  | Fully compatible  |
| Premating PE contact | Optional  | No  | Yes  |
| Mechanical features (IK 08 / 5 Joule) | Acceptable  | Deficient  | Excellent  |

HEAVYCON EVO

Field of applications



HEAVYCON EVO

Field of applications

Recommended applications for metal housings



Extreme cold and dry



Extreme hot and humid



Drives and **EMC**

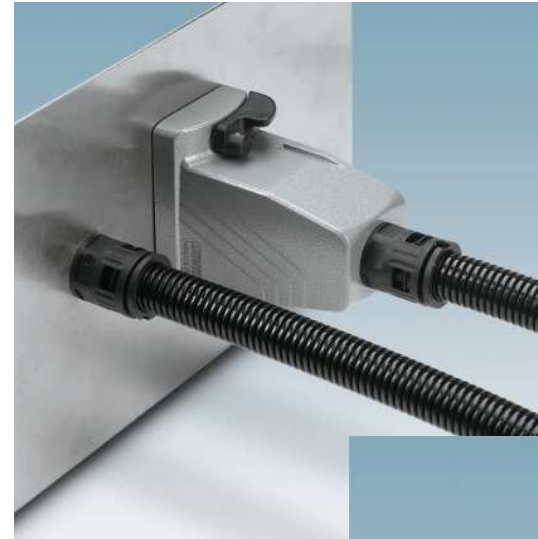
HEAVYCON EVO

Accessories

HC EVO conduit adapter

- Seperate EVO-lock version
- Protection degree IP66/68
- Particular sizes for conduit outer diameters:
 - 21,2 mm (M20) 3241220
 - 28,5 mm (M25) 3241221
 - 34,5 mm (M32) 3241222
 - 42,5 mm (M40) 3241223

For conduits please have a look
in the new M&I catalogue



HEAVYCON EVO

Accessories

Marking material US-EMP (20x9)

- With THERMOMARK CARD or THERMOMARK CARD PLUS
- 8 sec. per card
- Thermotransfer technology
- Immediate printing
- Printing with 300Dpi
- Immediately wipe and scratch resistant
- printing is very resistant against external influences



Printing with THERMOMARK CARD (PLUS)

HEAVYCON EVO

Final features in comparison with alu-housings



lower price

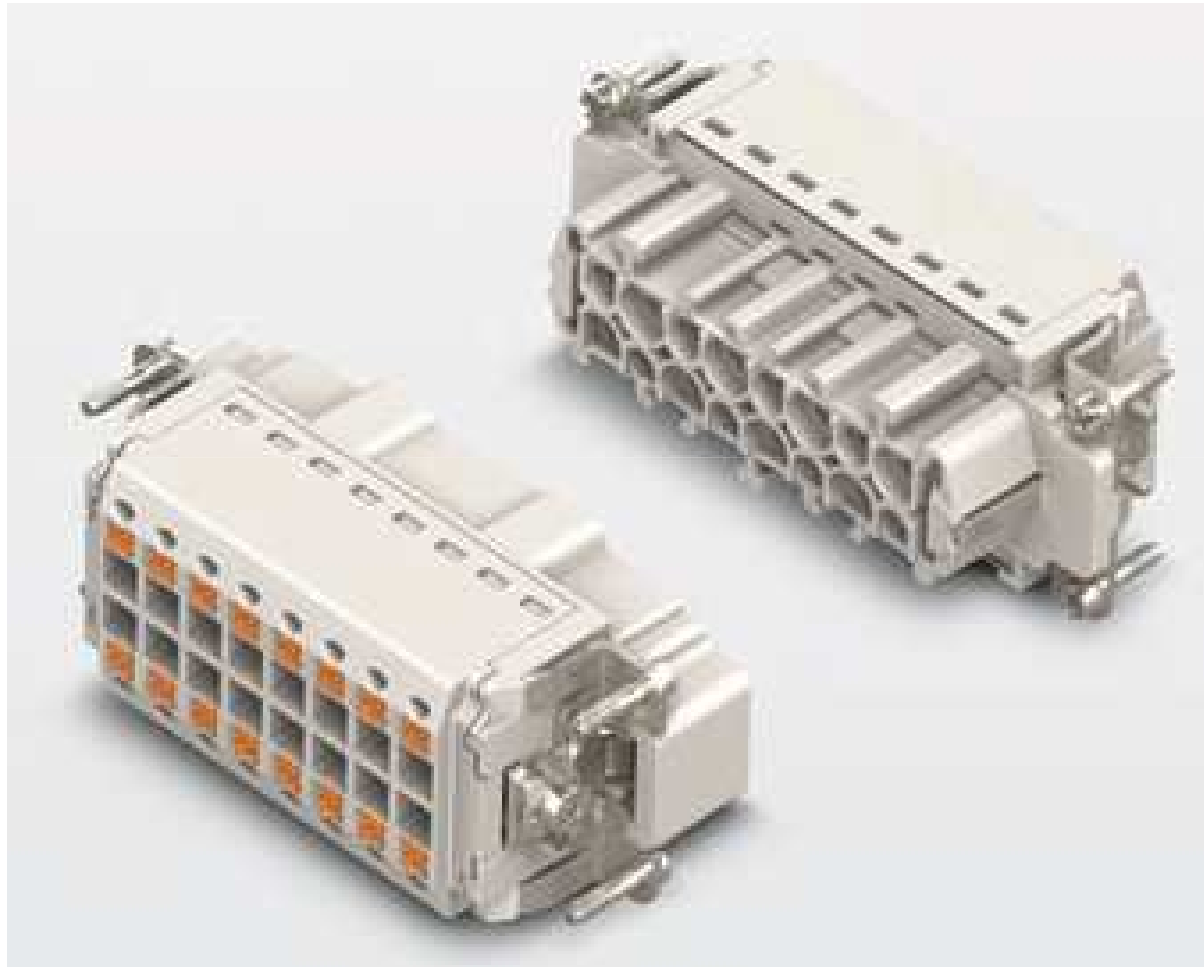
due to plastic housing

reduced stock

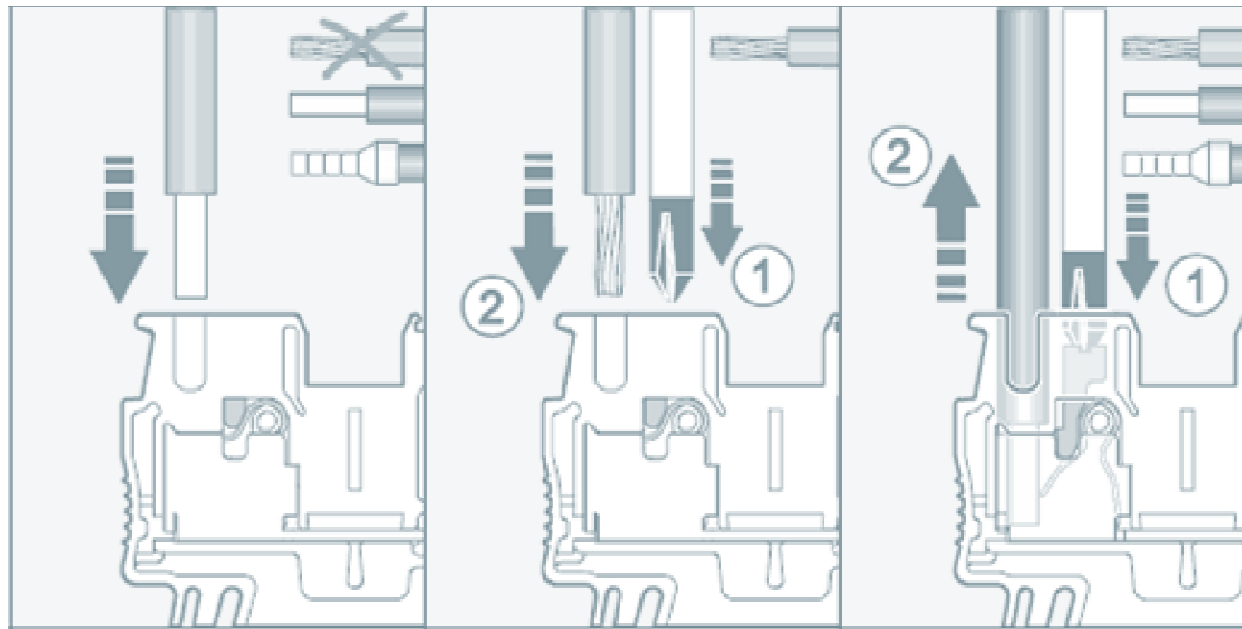
due to EVO-Lock cable gland

HEAVYCON

PT contact inserts



HEAVYCON contact inserts with push-in-connection



Installation guide

Strategy – PLUSCON heavy



X-ON Electronics

Largest Supplier of Electrical and Electronic Components

Click to view similar products for [Phoenix Contact](#) manufacturer:

Other Similar products are found below :

[1212619](#) [3240366](#) [1893300](#) [1582235](#) [1773093](#) [2814045](#) [2989433](#) [2963886](#) [2966537](#) [FFKDS/V-2.54](#) [2313944](#) [2834546](#) [DFK-PC 5/ 2-ST-7,62](#) [2834520](#) [2834407](#) [1687312](#) [3056145](#) [0902221](#) [1775619](#) [1674998](#) [2858894](#) [443023](#) [2905235](#) [2833547](#) [3240098](#) [0825544:3](#) [2905234](#) [0201391](#) [0201414](#) [CRIMPFOX 16 S](#) [CRIMPSET 25](#) [7001438](#) [MC 1,5/ 9-ST-3,5](#) [1840434](#) [ETD-BL-1T-F-300S](#) [MCR-1CLP-I-I-00](#) [MCR-4CLP-I-I-00](#) [MCR-DAC 8-I- 4-BUS](#) [MCR-SWS-I](#) [MCV 1,5/ 3-G-3,81](#) [1803439](#) [FL EPA WMS](#) [FLK 50/EZ-DR/ 400/KONFEK/S](#) [FLS PB M12 DO 8 M12-2A](#) [PPS CD BLADE](#) [PR1-RSC3-LV-120AC/21](#) [PSI-MOS-DNET CAN/FO 660/BM](#) [PSM-ME-RS232/RS232-P](#) [PSM PTK-4](#) [PSM-SET-FSMA/4-KT](#) [PT 2X2- 5DC-ST](#) [1201280](#)