

Accessories - MSTBC-MT 0,5-1,0 BA - 3190645

Please be informed that the data shown in this PDF Document is generated from our Online Catalog. Please find the complete data in the user's documentation. Our General Terms of Use for Downloads are valid (<http://phoenixcontact.com/download>)



Module female contact, is inserted into the MSTBC connector shell after the conductor has been crimped, for conductors from 0.5 - 1.0 mm², ribbon contact

Supplied in tape form - please note the drawing.



Key Commercial Data

Packing unit	4000 STK
Minimum order quantity	4000 STK
GTIN	 4 017918 117436
GTIN	4017918117436
Weight per Piece (excluding packing)	0.450 g
Custom tariff number	85366990
Country of origin	Czech Republic

Technical data

General

Nominal current	12 A (with 1 mm ² conductor cross section)
Conductor cross section flexible min.	0.5 mm ²
Max. conductor cross section, flexible	1 mm ²

Connection data

Core diameter including insulation	1.4 mm ... 2.3 mm
Stripping length of individual wires	3.5 mm

Material data

Contact material	CuFe
Contact surface material	Tin-plated

Environmental Product Compliance

China RoHS	Environmentally friendly use period: unlimited = EFUP-e
------------	---

Accessories - MSTBC-MT 0,5-1,0 BA - 3190645

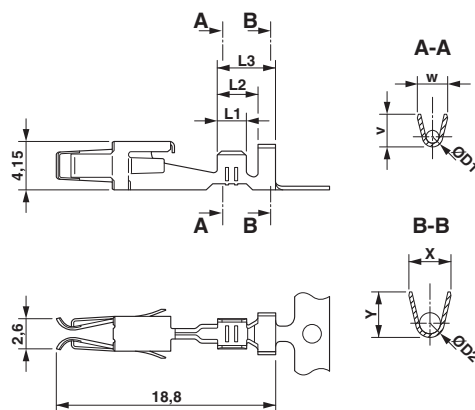
Technical data

Environmental Product Compliance

	No hazardous substances above threshold values
--	--

Drawings

Dimensional drawing



Classifications

eCl@ss

eCl@ss 4.0	272607xx
eCl@ss 4.1	27260701
eCl@ss 5.0	27260701
eCl@ss 5.1	27260701
eCl@ss 6.0	27260704
eCl@ss 7.0	27449202
eCl@ss 8.0	27440309
eCl@ss 9.0	27440309

ETIM

ETIM 3.0	EC001121
ETIM 4.0	EC001121
ETIM 5.0	EC002641
ETIM 6.0	EC002638

UNSPSC

UNSPSC 6.01	30211810
UNSPSC 7.0901	39121410
UNSPSC 11	39121409
UNSPSC 12.01	39121409
UNSPSC 13.2	39121409

X-ON Electronics

Largest Supplier of Electrical and Electronic Components

Click to view similar products for [In-Line Junction Modules](#) category:

Click to view products by [Phoenix Contact](#) manufacturer:

Other Similar products are found below :

[6131-202-1358P](#) [6131-207-1158P](#) [6131-207-1558P](#) [6131-207-1758P](#) [6131-209-2558P](#) [6131-217-1758P](#) [6131-258-1958P](#) [6131-261-2358P](#)
[6131-264-1358P](#) [6134-209-19149](#) [87.200.2201.3](#) [87.210.2204.3](#) [87.210.2211.3](#) [88083-10-6PN-L/C](#) [88083-10-6SN-LC](#) [88083-14-19SN-LC](#)
[88083-16-26SN-LC](#) [88083-16-8PN-LC](#) [88083-18-8SN-LC](#) [88083-20-41PN-LC](#) [88083-22-55PNLC](#) [S53209NR051](#) [6131-202-2358P](#) [6131-](#)
[205-2558P](#) [6131-208-2558P](#) [6131-258-2158P](#) [C81311N21](#) [87.200.2205.3](#) [YCTJ920E06NC098000](#) [TJSE20128](#) [TJSE22707](#) [YCTL-](#)
[12V0030000000](#) [YCTN20D0003V003000](#) [TJSE20137](#) [CTL-12](#) [TJSE20707](#) [45-2065](#) [45-2222](#) [C25300W0TSA](#) [45-2006](#) [45-2056](#) [45-2108](#)
[45-5407-BU](#) [1-591917-2](#) [TJSE20711](#) [6131-264-1558P](#) [6707-201-0601N](#) [6707-204-0301N](#) [C92200N2TSN](#) [S28200TA142RSN](#)