

## Safety device - PSR-MM25-1NO-2DO-24DC-SC - 2702355

Please be informed that the data shown in this PDF Document is generated from our Online Catalog. Please find the complete data in the user's documentation. Our General Terms of Use for Downloads are valid (<http://phoenixcontact.com/download>)




Safety relay module for sensorless standstill monitoring for 3- and 1-phase motors to SILCL 3, cat. 3, PL e, two-channel evaluation of the residual voltage of AC, three-phase, and DC motors, plug-in screw terminal block, width: 12.5 mm

### Why buy this product

- Monitoring of 1 and 3-phase AC or DC motors
- No additional sensors required
- Adjustable delay time from 0.5 s ... 20 s
- Adjustable switching threshold from 50 mV... 500 mV
- 1 enabling current path, 2 digital signal outputs
- Low housing width of just 12.5 mm
- Up to Cat.3/PL e according to ISO 13849-1, SILCL 3 according to IEC 62061



### Key Commercial Data

Packing unit	1 pc
GTIN	 4 055626 133201
GTIN	4055626133201

### Technical data

#### Note

Utilization restriction	EMC: class A product, see manufacturer's declaration in the download area
-------------------------	---

#### Dimensions

Width	12.5 mm
Height	112.2 mm
Depth	114.5 mm

#### Ambient conditions

Ambient temperature (operation)	-20 °C ... 55 °C (observe derating)
---------------------------------	-------------------------------------

# Safety device - PSR-MM25-1NO-2DO-24DC-SC - 2702355

## Technical data

### Ambient conditions

Ambient temperature (storage/transport)	-40 °C ... 85 °C
Max. permissible relative humidity (operation)	75 % (on average, 85% infrequently, non-condensing)
Max. permissible humidity (storage/transport)	75 % (on average, 85% infrequently, non-condensing)
Maximum altitude	max. 2000 m (Above sea level)

### Power supply

Rated control circuit supply voltage $U_s$	24 V DC -15 % / +10 %
Rated control supply current $I_s$	typ. 50 mA
Power consumption at $U_s$	typ. 1.2 W
Inrush current	5.6 A ( $\Delta t = 400 \mu s$ at $U_s$ )
Filter time	1 ms (at A1 in the event of voltage dips at $U_s$ )
Protective circuit	Surge protection Suppressor diode
	Protection against polarity reversal for rated control circuit supply voltage

### Measuring inputs

Current consumption	max. 0.35 mA (at L1/L2/L3)
Voltage input signal	max. 690 V AC/DC (at L1/L2/L3)
Limit frequency	max. 3 kHz (At voltages $> 2 V_{RMS}$ )

### Relay outputs: enabling current path

Output name	Enabling current path
Output description	safety-related N/O contacts
Number of outputs	1 (undelayed)
Contact type	1 enabling current path
Contact material	AgSnO <sub>2</sub>
Switching voltage	min. 24 V AC/DC
	max. 250 V AC/DC (Observe the load curve)
Limiting continuous current	5 A (observe derating)
Inrush current	min. 3 mA
	max. 5 A
Sq. Total current	25 A <sup>2</sup> (observe derating)
Switching capacity	min. 72 mW
Switching frequency	max. 0.5 Hz
Mechanical service life	10x 10 <sup>6</sup> cycles
Output fuse	5 A gL/gG

### Alarm outputs

Number of outputs	2 (digital, PNP)
Voltage	23 V DC ( $U_s - 1 V$ )
Current	max. 100 mA
Maximum inrush current	500 mA
Short-circuit protection	Yes

# Safety device - PSR-MM25-1NO-2DO-24DC-SC - 2702355

## Technical data

### Times

Typical pickup time at US	< 1 s
Response time	typ. 20 ms (at 50 Hz input frequency)
Delay time range	0.5 s ... 20 s $\pm$ 1 % (K1, K2 can be parameterized)

### General

Nominal operating mode	100% operating factor
Net weight	150.1 g
Mounting position	vertical or horizontal
Mounting type	DIN rail mounting
Assembly instructions	See derating curve
Degree of protection	IP20
Min. degree of protection of inst. location	IP54
Housing material	PBT
Housing color	yellow
Status display	4 x LED Bi-Colour

### Connection data

Connection method	Screw connection
pluggable	Yes
Conductor cross section solid min.	0.2 mm <sup>2</sup>
Conductor cross section solid max.	2.5 mm <sup>2</sup>
Conductor cross section flexible min.	0.2 mm <sup>2</sup>
Conductor cross section flexible max.	2.5 mm <sup>2</sup>
Conductor cross section AWG min.	24
Conductor cross section AWG max.	12
Stripping length	7 mm
Screw thread	M3

### Safety-related characteristic data

Stop category	0
Designation	IEC 61508 - High demand
Safety Integrity Level (SIL)	3 (4 A DC13; 5 A AC15; 17520 switching cycles/year)
Designation	EN ISO 13849
Performance level (PL)	e (4 A DC13; 5 A AC15; 17520 switching cycles/year)
Category	3
Designation	EN 62061
Safety Integrity Level Claim Limit (SIL CL)	3 (4 A DC13; 5 A AC15; 17520 switching cycles/year)

### Standards and Regulations

Designation	Air clearances and creepage distances between the power circuits
Standards/regulations	DIN EN 50178
Rated insulation voltage	250 V AC
	250 V AC

# Safety device - PSR-MM25-1NO-2DO-24DC-SC - 2702355

## Technical data

### Standards and Regulations

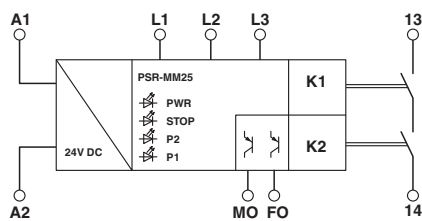
	400 V AC with isolation paths between (L1/L2/L3) and the remaining current paths
	690 V AC (with isolation paths within L1/L2/L3)
Rated surge voltage/insulation	Basic insulation 4 kV: between all current paths and housing Basic insulation 8 kV: between L1 and L2 between L1 and L3 between L2 and L3
	Safe isolation, reinforced insulation 6 kV: between A1/A2 and 13/14 between MO/FO and 13/14 Safe isolation, reinforced insulation 8 kV: between L1/L2/L3 and A1/A2 between L1/L2/L3 and MO/FO between L1/L2/L3 and 13/14
Degree of pollution	2
Overvoltage category	III
Shock	15g
Vibration (operation)	10 Hz ...150 Hz, 2g
Conformance	CE-compliant

### Environmental Product Compliance

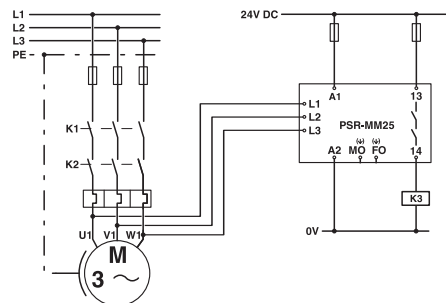
REACH SVHC	Lead 7439-92-1
China RoHS	Environmentally Friendly Use Period = 50
	For details about hazardous substances go to tab "Downloads", Category "Manufacturer's declaration"

## Drawings

Block diagram



Circuit diagram



## Approvals

### Approvals

# Safety device - PSR-MM25-1NO-2DO-24DC-SC - 2702355

## Approvals

Approvals

Functional Safety / Functional Safety / UL Listed / cUL Listed / cULus Listed

---

Ex Approvals

---

### Approval details

Functional Safety		01/205/5492.00/16
-------------------	--	-------------------

Functional Safety		968/FSP 1226.00/16
-------------------	--	--------------------

UL Listed		<a href="http://database.ul.com/cgi-bin/XYV/template/LISEXT/1FRAME/index.htm">http://database.ul.com/cgi-bin/XYV/template/LISEXT/1FRAME/index.htm</a>	FILE E 140324
-----------	--	---	---------------

cUL Listed		<a href="http://database.ul.com/cgi-bin/XYV/template/LISEXT/1FRAME/index.htm">http://database.ul.com/cgi-bin/XYV/template/LISEXT/1FRAME/index.htm</a>	FILE E 140324
------------	--	---	---------------

cULus Listed			
--------------	--	--	--

---

Phoenix Contact 2018 © - all rights reserved  
<http://www.phoenixcontact.com>

PHOENIX CONTACT GmbH & Co. KG  
Flachsmarktstr. 8  
32825 Blomberg  
Germany  
Tel. +49 5235 300  
Fax +49 5235 3 41200  
<http://www.phoenixcontact.com>

## **X-ON Electronics**

Largest Supplier of Electrical and Electronic Components

*Click to view similar products for [Safety Relays](#) category:*

*Click to view products by [Phoenix Contact](#) manufacturer:*

Other Similar products are found below :

[7-1618103-5](#) [1351-1X](#) [1618089-2](#) [C200HDA003](#) [C200HMR432](#) [C200HMR832](#) [C200HMR833](#) [20-050-36X](#) [C500OD415CN](#) [2-1618068-0](#)  
[25994](#) [9-1618103-2](#) [SP10-ETL01](#) [21-890](#) [3-1618060-0](#) [C200HNC112](#) [C200HOD214](#) [C500CN812N](#) [1100X](#) [1100-42X](#) [1-1618062-0](#) [6-](#)  
[1618082-4](#) [7-1618103-6](#) [50.12.9.110.1000](#) [SP16DRD](#) [SP16DRA](#) [XPSAXE5120P](#) [XPSECPE5131P](#) [C500-CE243](#) [607.5111.020](#) [439390016](#)  
[607.5111.009](#) [607.5111.010](#) [PSR-MM25-1NO-2DO-24DC-SC](#) [NXSL5500](#) [600PSR-165/300-CU](#) [SR4D4110](#) [J73KN-AM-22](#) [G7SA-3A1B](#)  
[DC12](#) [G7SA-4A2B](#) [DC12](#) [G7SA-3A1B](#) [DC48](#) [G7SA-2A2B](#) [DC48](#) [ES-FA-9AA](#) [50.12.9.024.5000](#) [44510-2310](#) [V23047-A1036-A501](#) [44510-](#)  
[1081](#) [44510-2021](#) [44510-2232](#) [WUF-12-5060-T](#)