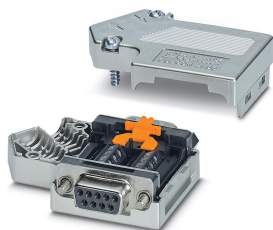


D-SUB bus connector - SUBCON-PLUS-CAN/PG - 2708119

Please be informed that the data shown in this PDF Document is generated from our Online Catalog. Please find the complete data in the user's documentation. Our General Terms of Use for Downloads are valid (<http://phoenixcontact.com/download>)



D-SUB connector, 9-pos. socket, 35° cable entry, bus system: CAN, CANopen®, SafetyBUS p up to 1 Mbps, with PG D-SUB socket for connecting a programming device, termination resistor can be switched on via slide switch, pin assignment: 2, 3, 7, 9; screw terminal blocks

Product Description

The SUBCON-PLUS-CAN/... D-SUB series is specifically designed for use in CAN systems. Under field conditions, it enables the quick and easy connection of the incoming and outgoing bus line.

The terminating resistor is already integrated in all versions. It can be connected externally by means of a slide switch. At the same time, the outgoing bus segment is switched off. This makes it easy to start up segment by segment while incorrect terminations are avoided.

A special feature of the 35° angled connector is that the internal connection unit can be turned round. Whether the cable is to be inserted from the right or left can thus be decided on-site.

Your advantages

- ✓ Separate terminal blocks for bus cables
- ✓ Segment-by-segment startup
- ✓ High level of EMC
- ✓ Assembly under field conditions
- ✓ Flexibility in terms of cable entry selection
- ✓ High transmission speed
- ✓ Suitable for bus cables according to CiA Draft Recommendation 303-1 with an outside diameter of 8 mm
- ✓ Termination resistor can be connected
- ✓ Change to the D-SUB orientation through a reversible connection block



Key Commercial Data

Packing unit	1 pc
GTIN	
GTIN	4046356041331
Weight per Piece (excluding packing)	38.400 g
Custom tariff number	85366990
Country of origin	Germany
Sales Key	DNC541

D-SUB bus connector - SUBCON-PLUS-CAN/PG - 2708119

Technical data

Note

Utilization restriction	Use in potentially explosive areas is not permitted in China.
-------------------------	---

Dimensions

Max. cable diameter	8.4 mm
Min. cable diameter	7.6 mm
Width	16.6 mm
Height	39.4 mm
Length	58 mm

Ambient conditions

Ambient temperature (operation)	-20 °C ... 75 °C
Ambient temperature (storage/transport)	-25 °C ... 80 °C
Permissible humidity (operation)	10 % ... 95 % (non-condensing)
Permissible humidity (storage/transport)	5 % ... 95 % (non-condensing)
Altitude	≤ 5000 m (For restrictions, see the manufacturer's declaration for altitude operation)
Degree of protection	IP40

General

Nominal voltage U_N	5 V
Nominal current I_N	100 mA
Bus system	CAN, CANopen, SafetyBus-P
Signal	CAN
	CANopen®
	SafetyBUS p
Insertion/withdrawal cycles	> 200
SUBCON fixing screws	4-40 UNC
Tightening torque	0.4 Nm
Housing material	ABS, metal-plated
Pin assignment	2, 3, 7, 9
MTTF	6706 Years (SN 29500 standard, temperature 25°C, operating cycle 21%)
	1817 Years (SN 29500 standard, temperature 40°C, operating cycle 34.25%)
	155 Years (SN 29500 standard, temperature 40°C, operating cycle 100%)

Connection data

Connection	D-SUB connection
Number of positions	9
Connection method	D-SUB connector
Termination resistor	120 Ω (Can be connected externally)
Connection	PCB connection

D-SUB bus connector - SUBCON-PLUS-CAN/PG - 2708119

Technical data

Connection data

Connection method	Screw connection
Conductor cross section flexible min.	0.14 mm ²
Conductor cross section flexible max.	1 mm ²
Conductor cross section solid min.	0.14 mm ²
Conductor cross section solid max.	1.5 mm ²
Min. AWG conductor cross section, flexible	26
Max. AWG conductor cross section, flexible	18
Conductor cross section AWG min.	26
Conductor cross section AWG max.	16
Stripping length	5 mm
Tightening torque	0.4 Nm
Connection	Programming connection
Number of positions	9
Connection method	D-SUB connector

Conformance/approvals

Designation	EAC
Identification	EAC
Designation	ATEX
Identification	# II 3 G Ex nA IIC T4 Gc X
Additional text	Please follow the special installation instructions in the documentation!
Designation	Corrosive gas test
Identification	ISA-S71.04-1985 G3 Harsh Group A

Standards and Regulations

Free from substances that could impair the application of coating	according to P-VW 3.10.7 57 65 0 VW-AUDI-Seat central standard
Connection in acc. with standard	CUL

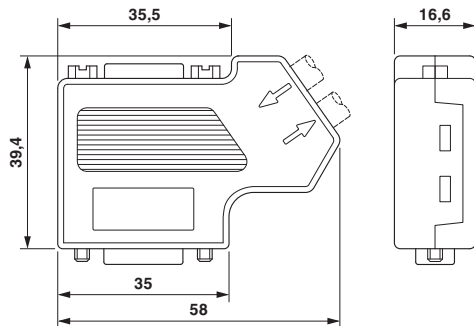
Environmental Product Compliance

China RoHS	Environmentally Friendly Use Period = 50 years
	For details about hazardous substances go to tab "Downloads", Category "Manufacturer's declaration"

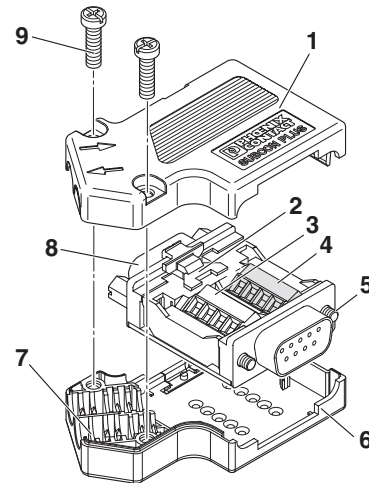
Drawings

D-SUB bus connector - SUBCON-PLUS-CAN/PG - 2708119

Dimensional drawing



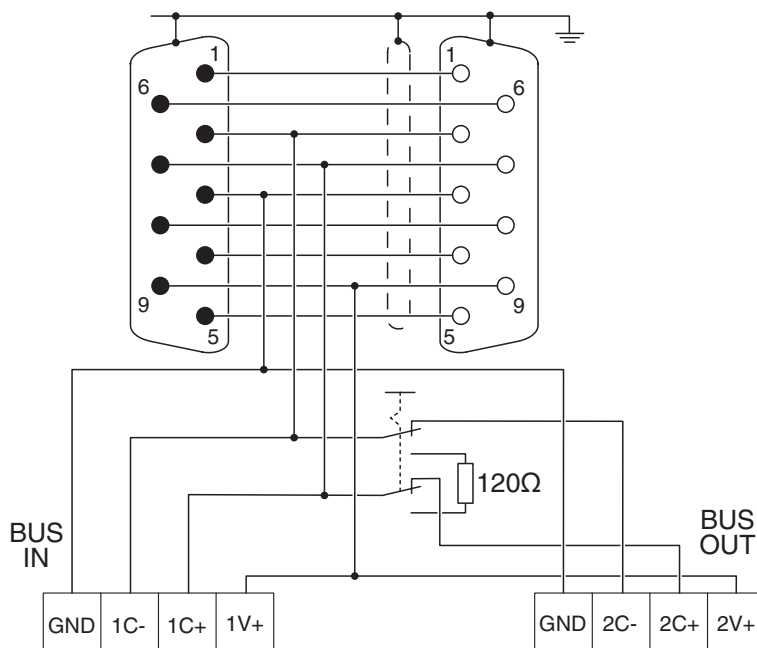
Schematic diagram



- 1 Upper housing part
- 2 Slide switch
- 3 BUS IN connection block
- 4 BUS OUT connection block
- 5 UNC mounting screw
- 6 Lower housing part
- 7 Strain relief
- 8 PG connection
- 9 Housing screw

D-SUB bus connector - SUBCON-PLUS-CAN/PG - 2708119

Circuit diagram



Classifications

eCl@ss

eCl@ss 10.0.1	27440302
eCl@ss 11.0	27440302
eCl@ss 4.0	27140800
eCl@ss 4.1	27140800
eCl@ss 5.0	27143400
eCl@ss 5.1	27143400
eCl@ss 6.0	27143400
eCl@ss 7.0	27440302
eCl@ss 9.0	27440302

ETIM

ETIM 2.0	EC001132
ETIM 3.0	EC001132
ETIM 4.0	EC001132
ETIM 6.0	EC001132
ETIM 7.0	EC001132

UNSPSC

UNSPSC 6.01	30211802
-------------	----------

D-SUB bus connector - SUBCON-PLUS-CAN/PG - 2708119

Classifications

UNSPSC

UNSPSC 7.0901	39121402
UNSPSC 11	39121402
UNSPSC 12.01	39121402
UNSPSC 13.2	39121522
UNSPSC 18.0	39121522
UNSPSC 19.0	39121522
UNSPSC 20.0	39121522
UNSPSC 21.0	39121522

Approvals

Approvals

Approvals

CSA / UL Recognized / cUL Recognized / EAC / cULus Recognized

Ex Approvals

ATEX

Approval details

CSA		http://www.csagroup.org/services-industries/product-listing/	2437602
-----	--	---	---------

UL Recognized		http://database.ul.com/cgi-bin/XYV/template/LISEXT/1FRAME/index.htm	FILE E 238705
---------------	--	---	---------------

cUL Recognized		http://database.ul.com/cgi-bin/XYV/template/LISEXT/1FRAME/index.htm	FILE E 238705
----------------	--	---	---------------

EAC			EAC-Zulassung
-----	--	--	---------------

cULus Recognized			
------------------	--	--	--

D-SUB bus connector - SUBCON-PLUS-CAN/PG - 2708119

Accessories

Accessories

Data plug

D-SUB bus connector - SUBCON-PLUS-CAN/SC2 - 2708999



D-SUB plug, 9-pos. socket, two 35° cable entries less than to two terminal block rows, bus system: CAN, CANopen, SafetyBUS p up to 1 Mbps, termination resistor can be switched on via slide switch, pin assignment: 2,3,7,9; screw connection terminal blocks

D-SUB bus connector - SUBCON-PLUS-CAN/AX - 2306566



D-SUB connector, 9-pos. female connector, axial version with two cable entries, bus system: CAN, CANopen, SafetyBUS p; pin assignment: 2, 3, 7; screw connection terminal blocks

D-SUB bus connector - SUBCON-PLUS-CAN/35/PG/M12 - 2902324



D-SUB plug, 9-pos., socket, with PG-D-SUB pin, assignment: 2, 3, 5, 6, 7, 9; two 35° cable entries M12 (A-coded). Bus system: CAN, CANopen®. Termination resistor via separate M12 terminator.

D-SUB bus connector - SUBCON-PLUS-CAN/90/PG/M12 - 2902322



D-SUB plug, 9-pos., socket, with PG-D-SUB pin, assignment: 2, 3, 5, 6, 7, 9; two 90° cable entries M12 (A-coded). Bus system: CAN, CANopen®. Termination resistor via separate M12 terminator.

D-SUB bus connector - SUBCON-PLUS-CAN/AX/M12 - 2902326



D-SUB plug, 9-pos., socket, assignment: 2, 3, 5, 6, 7, 9; two M12 cable glands (A-coded) under 180° (axial). Bus system: CAN, CANopen®. Termination resistor via separate M12 terminator.

Screwdriver tools

D-SUB bus connector - SUBCON-PLUS-CAN/PG - 2708119

Accessories

Screwdriver - SZK PH1 VDE - 1205150



Screwdriver, PH crosshead, VDE insulated, size: PH 1 x 80 mm, 2-component grip, with non-slip grip

Screwdriver - SZF 0-0,4X2,5 - 1204504



Actuation tool, for ST terminal blocks, also suitable for use as a bladed screwdriver, size: 0.4 x 2.5 x 75 mm, 2-component grip, with non-slip grip

Stripping tool

Stripping pliers - QUICK WIREFOX 6 - 1204384



Stripping tool for cables with PVC insulation, stripping range: 0.08 to 6 mm², wire cutting up to 6 mm² flexible or 4 mm² rigid

X-ON Electronics

Largest Supplier of Electrical and Electronic Components

Click to view similar products for [Phoenix Contact](#) manufacturer:

Other Similar products are found below :

[1927221](#) [1936102](#) [3240366](#) [3240367](#) [1014246](#) [1014236](#) [1014240](#) [1014290](#) [1014293](#) [1806193](#) [1842254](#) [1768260](#) [1716373](#) [1648030](#)
[1579051](#) [1014235](#) [1014239](#) [1014229](#) [1212378](#) [1212208](#) [1644054](#) [2864516](#) [2952305](#) [2989433](#) [2946780](#) [1644070](#) [2967219](#) [2833602](#)
[2859482](#) [1411458](#) [1460070](#) [2963352](#) [2834520](#) [2744490](#) [1436754](#) [1460286](#) [2912400](#) [2987105](#) [1772719](#) [1407408](#) [1687985](#) [3240513](#)
[1884128](#) [0825544:3](#) [CRIMPFOX 16 S](#) [CRIMPFOX 25R](#) [CRIMPFOX LC](#) [CRIMPFOX-RCI 6-M](#) [7001438](#) [ETD-BL-1T-F-300S](#)