

# Bocard



Detailed product information  
can be found on  
[www.bopla.de](http://www.bopla.de)



- 5 sizes
- 2 heights
- UL 94 V0 types on request
- 6 different fronts
- Optional terminal compartment, flexible positioning, separable
- Comprehensive range of accessories allows versatile applications

#### Colour:

Graphite grey, similar to RAL 7024; light grey, similar to RAL 7035; special colours on request

#### Protection class:

Up to IP 66 / IP 68 – 1.2m ( 2 hrs.) DIN EN 60529 ,  
depending on the model

#### Enclosure material:

ABS, PC; seal: CR; UL 94 V0 types on request;  
CR or PU seal, foamed  
for details see Technical Information.



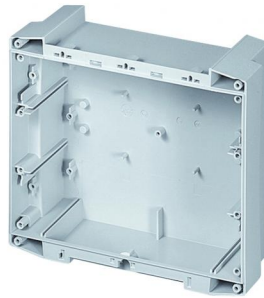
**BOPLA**

A Phoenix Mecano Company

## Modular enclosure system which adapts perfectly to almost every requirement



UT-0.5: When combined with the membrane lid, the flat bases are especially suitable for use as mobile operating devices. For ergonomic handling, additional handle elements can be fitted on the rear and also cover the existing mounting openings. The fixing contours moulded onto the base for the hinged lid are also concealed by the cover (enclosed).



UT: All bases have plug-in slots and fixing domes. As an option, a variable terminal compartment can be integrated and isolated from the electronics compartment. Depending on which mounting side is used, fitted equipment such as cable glands can be partially concealed.



OT-G: Crystal-clear lid with a light or graphite grey frame.

OT-FSC: Light or graphite grey membrane lid; recessed membrane keypad area.

Both versions can be opened to more than 180°, with an intermediate locking position of more than 90° – no uncontrolled falling of the lid. By using the enclosed accessories, either hand-operated or tool-operated opening can be selected. Optionally, a cylinder lock can be fitted. Protection class: IP 66.



OT-F: This plain membrane lid has a recessed area for mounting membrane keypads. Screw the lid to the base. Mounting bosses underneath allow the mounting of circuit boards or mounting panels. Protection class: IP 65.



CF: The installation area has a recessed section for mounting membrane keypads. It can be screwed to a rear panel with four screws. Ingress protection IP 65 to the installation front can be achieved with the optional seal.

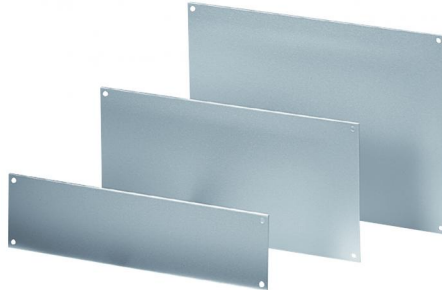


FO: The FO frame is used for edge covering of a continuous front panel (FP). Mounting on the base is by clipping-on and pressing tight. In connection with base and front panel: protection class IP 40.

## Modular enclosure system which adapts perfectly to almost every requirement



FO-K: The FO-K frame is used for edge covering of a front panel (FP...K) and a terminal compartment. The integrated terminal compartment lid has a 1.5 mm recessed area for the fitting of membrane keypads. The frame is pushed onto the base, pressed tight in 2 places, and screwed to the terminal compartment. In connection with base and front panel: protection class IP 40.



FP: Front panel, aluminium or plastic. The FP...K version must be used for enclosures with a terminal compartment, and the FP...BK version for enclosures with two terminal compartments.



KRD: By using partitions and front panels, a terminal compartment can be separated and closed on the front with the terminal compartment lid. The terminal compartment can be positioned as required on the locking or hinged side, or on both sides at the same time. The terminal compartment lid is available in light or graphite grey and has a recessed area for the mounting of membrane keypads and membranes.



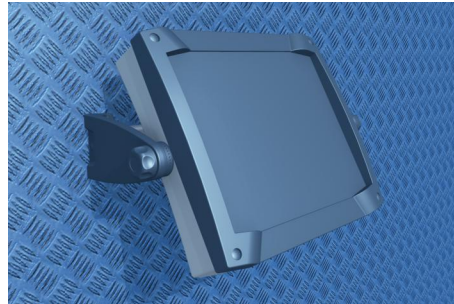
Laminated paper panel for dividing a terminal compartment. The partition is inserted and fixed using TP-F or front panel.



TP-F: Laminated paper partition for sealing off the electronics compartment if a membrane lid is required in connection with a terminal compartment.



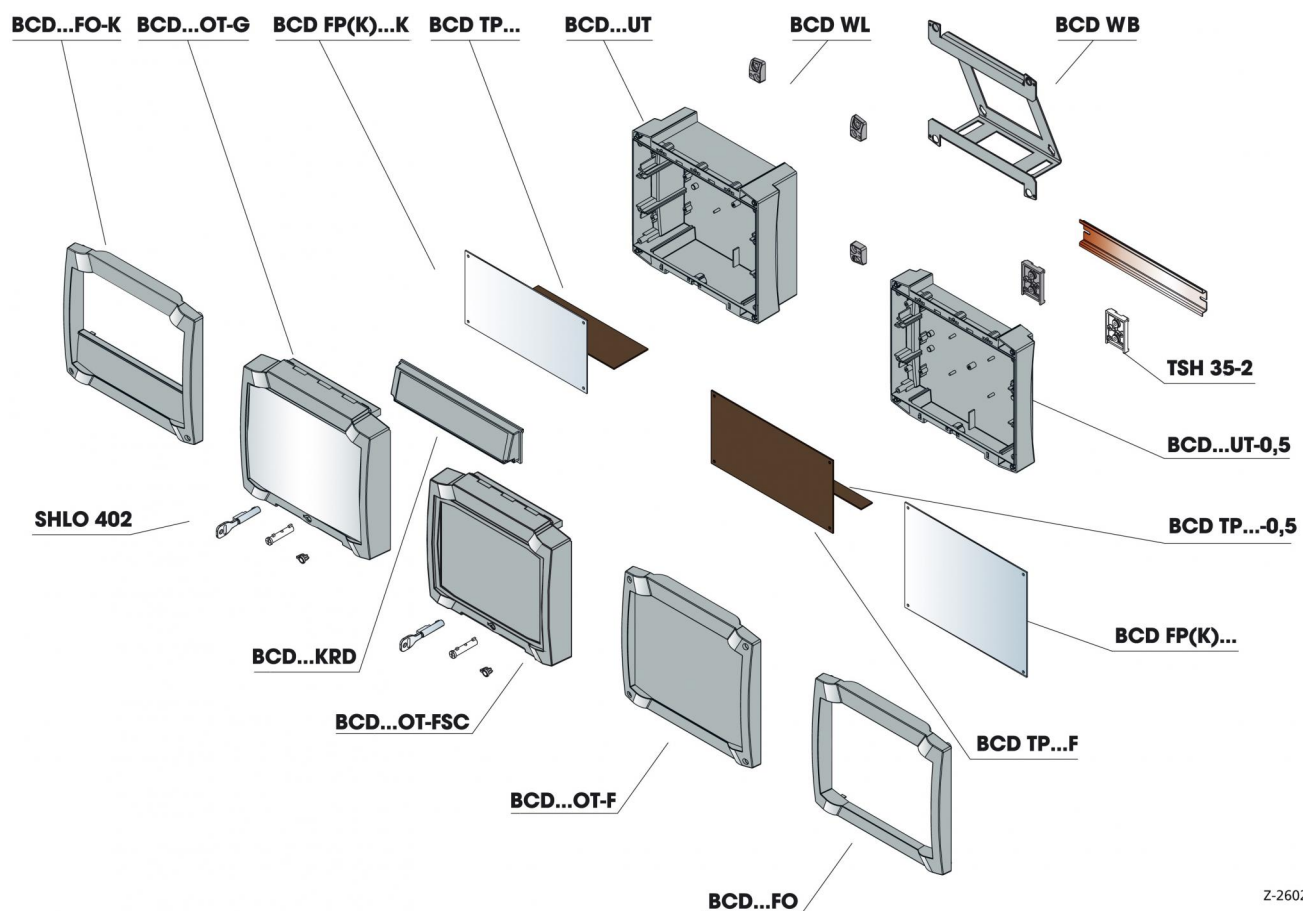
WB: The wall-mounting fastening bracket is made of powder-coated sheet steel. It is screwed on the rear to the base. Easy wall fitting is guaranteed. As an alternative, with the help of this bracket the Bocard can also be used as a console enclosure.



BCD...HS2: The swivelling handle (fixed lock-in position every 15°) permits use as both a carrying and set-up bow for desktop application. Anti-slip elements are fitted to the side sections of the handle, ensuring non-slip properties and stability.

BCD...UWB: With the swivelling wall fitting, an enclosure with a flat base can be mounted on a wall in its optimal position.

**Bocard overview:**





## Bocard | Enclosure variants



High enclosure, with crystal-clear hinged lid, without terminal compartment, IP 66 / IP 68 – 1.2m (2 hrs.)

Model	Order no.	A	B	C
BCD 165 Set 01-7035	20173501.S	199	179	106.5
BCD 205 Set 01-7035	20213501.S	229	204	116
BCD 255 Set 01-7035	20263501.S	264	234	141
BCD 315 Set 01-7035	20323501.S	324	289	145.2
BCD 405 Set 01-7035	20413501.S	404	344	160.5

Scope Of Delivery: 1 x BCD... UT-7035, 1 x BCD... OT-G-7035

Notes: Base light grey, lid frame light grey



High enclosure, with crystal-clear hinged lid, without terminal compartment, IP 66 / IP 68 – 1.2m (2 hrs.)

Model	Order no.	A	B	C
BCD 165 Set 01-7024	20172401.S	199	179	106.5
BCD 205 Set 01-7024	20212401.S	229	204	116
BCD 255 Set 01-7024	20262401.S	264	234	141
BCD 315 Set 01-7024	20322401.S	324	289	145.2
BCD 405 Set 01-7024	20412401.S	404	344	160.5

Scope Of Delivery: 1 x BCD... UT-7035, 1 x BCD... OT-G-7024

Notes: Base light grey, lid frame graphite grey



Flat enclosure, with crystal-clear hinged lid, without terminal compartment, IP 66 / IP 68 – 1.2m (2 hrs.)

Model	Order no.	A	B	C
BCD 165 Set 02-7035	20173502.S	199	179	71.5
BCD 205 Set 02-7035	20213502.S	229	204	76
BCD 255 Set 02-7035	20263502.S	264	234	86
BCD 315 Set 02-7035	20323502.S	324	289	111.2
BCD 405 Set 02-7035	20413502.S	404	344	112

Scope Of Delivery: 1 x BCD... UT-0,5-7035, 1 x BCD... OT-G-7035

Notes: Base light grey, lid frame light grey



Flat enclosure, with crystal-clear hinged lid, without terminal compartment, IP 66 / IP 68 – 1.2m (2 hrs.)

Model	Order no.	A	B	C
BCD 165 Set 02-7024	20172402.S	199	179	71.5
BCD 205 Set 02-7024	20212402.S	229	204	76
BCD 255 Set 02-7024	20262402.S	264	234	86
BCD 315 Set 02-7024	20322402.S	324	289	111.2
BCD 405 Set 02-7024	20412402.S	404	344	112

Scope Of Delivery: 1 x BCD... UT-0,5-7035, 1 x BCD... OT-G-7024

Notes: Base light grey, lid frame graphite grey

## Bocard | Enclosure variants

High enclosure, with crystal-clear hinged lid, for 1 terminal compartment, IP 66 / IP 68 – 1.2m (2 hrs.)

Model	Order no.	A	B	C
BCD 165 Set 03-7035	20173503.S	199	179	106.5
BCD 205 Set 03-7035	20213503.S	229	204	116
BCD 255 Set 03-7035	20263503.S	264	234	141
BCD 315 Set 03-7035	20323503.S	324	289	145.2
BCD 405 Set 03-7035	20413503.S	404	344	160.5

Scope Of Delivery: 1 x BCD... UT-7035, 1 x BCD... OT-G-7035, 1 x BCD... KRD-7035

Notes: Base light grey, lid frame and terminal compartment lid light grey



High enclosure, with crystal-clear hinged lid, for 1 terminal compartment, IP 66 / IP 68 – 1.2m (2 hrs.)

Model	Order no.	A	B	C
BCD 165 Set 03-7024	20172403.S	199	179	106.5
BCD 205 Set 03-7024	20212403.S	229	204	116
BCD 255 Set 03-7024	20262403.S	264	234	141
BCD 315 Set 03-7024	20322403.S	324	289	145.2
BCD 405 Set 03-7024	20412403.S	404	344	160.5

Scope Of Delivery: 1 x BCD... UT-7035, 1 x BCD... OT-G-7024, 1 x BCD... KRD-7024

Notes: Base light grey, Lid frame and terminal compartment lid graphite grey



Flat enclosure, with crystal-clear hinged lid, for 1 terminal compartment, IP 66 / IP 68 – 1.2m (2 hrs.)

Model	Order no.	A	B	C
BCD 165 Set 04-7035	20173504.S	199	179	71.5
BCD 205 Set 04-7035	20213504.S	229	204	76
BCD 255 Set 04-7035	20263504.S	264	234	86
BCD 315 Set 04-7035	20323504.S	324	289	111.2
BCD 405 Set 04-7035	20413504.S	404	344	112

Scope Of Delivery: 1 x BCD... UT-0,5-7035, 1 x BCD... OT-G-7035, 1 x BCD... KRD-7035

Notes: Base light grey, lid frame and terminal compartment lid light grey



Flat enclosure, with crystal-clear hinged lid, for 1 terminal compartment, IP 66 / IP 68 – 1.2m (2 hrs.)

Model	Order no.	A	B	C
BCD 165 Set 04-7024	20172404.S	199	179	71.5
BCD 205 Set 04-7024	20212404.S	229	204	76
BCD 255 Set 04-7024	20262404.S	264	234	86
BCD 315 Set 04-7024	20322404.S	324	289	111.2
BCD 405 Set 04-7024	20412404.S	404	344	112

Scope Of Delivery: 1 x BCD... UT-0,5-7035, 1 x BCD... OT-G-7024, 1 x BCD... KRD-7024

Notes: Base light grey, Lid frame and terminal compartment lid graphite grey



## Bocard | Enclosure variants



High enclosure, with open front frame without terminal compartment, IP 40

Model	Order no.	A	B	C
BCD 160 Set 07-7035	20163507	199	178	89
BCD 200 Set 07-7035	20203507	229	203	99
BCD 250 Set 07-7035	20253507	264	233	124

Scope Of Delivery: 1 x BCD... UT-7035, 1 x BCD... FO-7035

Notes: Base light grey, front frame light grey



High enclosure, with open front frame without terminal compartment, IP 40

Model	Order no.	A	B	C
BCD 160 Set 07-7024	20162407	199	178	89
BCD 200 Set 07-7024	20202407	229	203	99
BCD 250 Set 07-7024	20252407	264	233	124

Scope Of Delivery: 1 x BCD... UT-7035, 1 x BCD... FO-7024

Notes: Base light grey, front frame graphite grey



Flat enclosure, with open front frame, without terminal compartment, IP 40

Model	Order no.	A	B	C
BCD 160 Set 08-7035	20163508	199	178	54
BCD 200 Set 08-7035	20203508	229	203	59
BCD 250 Set 08-7035	20253508	264	233	69

Scope Of Delivery: 1 x BCD... UT-0,5-7035, 1 x BCD... FO-7035

Notes: Base light grey, front frame light grey



Flat enclosure, with open front frame, without terminal compartment, IP 40

Model	Order no.	A	B	C
BCD 160 Set 08-7024	20162408	199	178	54
BCD 200 Set 08-7024	20202408	229	203	59
BCD 250 Set 08-7024	20252408	264	233	69

Scope Of Delivery: 1 x BCD... UT-0,5-7035, 1 x BCD... FO-7024

Notes: Base light grey, front frame graphite grey



High enclosure, with front frame open, incl. terminal compartment cover, IP 40

Model	Order no.	A	B	C
BCD 160 Set 09-7035	20163509	199	178	89
BCD 200 Set 09-7035	20203509	229	203	99
BCD 250 Set 09-7035	20253509	264	233	124

Scope Of Delivery: 1 x BCD... UT-7035, 1 x BCD... FO-K-7035

Notes: Base light grey, front frame light grey

## Bocard | Enclosure variants

### High enclosure, with front frame open, incl. terminal compartment cover, IP 40

Model	Order no.	A	B	C
BCD 160 Set 09-7024	20162409	199	178	89
BCD 200 Set 09-7024	20202409	229	203	99
BCD 250 Set 09-7024	20252409	264	233	124

Scope Of Delivery: 1 x BCD... UT-7035, 1 x BCD... FO-K-7024

Notes: Base light grey, front frame graphite grey



### Flat enclosure, with front frame open, incl. terminal compartment cover, IP 40

Model	Order no.	A	B	C
BCD 160 Set 10-7035	20163510	199	178	54
BCD 200 Set 10-7035	20203510	229	203	59
BCD 250 Set 10-7035	20253510	264	233	69

Scope Of Delivery: 1 x BCD... UT-0,5-7035, 1 x BCD... FO-K-7035

Notes: Base light grey, front frame light grey



### Flat enclosure, with front frame open, incl. terminal compartment cover, IP 40

Model	Order no.	A	B	C
BCD 160 Set 10-7024	20162410	199	178	54
BCD 200 Set 10-7024	20202410	229	203	59
BCD 250 Set 10-7024	20252410	264	233	69

Scope Of Delivery: 1 x BCD... UT-0,5-7035, 1 x BCD... FO-K-7024

Notes: Base light grey, front frame graphite grey



### High enclosure, with membrane lid, IP 65

Model	Order no.	A	B	C
BCD 160 Set 11-7035	20163511	199	178	89
BCD 200 Set 11-7035	20203511	229	203	99
BCD 250 Set 11-7035	20253511	264	233	124

Scope Of Delivery: 1 x BCD... UT-7035, 1 x BCD... OT-F-7035

Notes: Base light grey, front lid light grey



### High enclosure, with membrane lid, IP 65

Model	Order no.	A	B	C
BCD 160 Set 11-7024	20162411	199	178	89
BCD 200 Set 11-7024	20202411	229	203	99
BCD 250 Set 11-7024	20252411	264	233	124

Scope Of Delivery: 1 x BCD... UT-7035, 1 x BCD... OT-F-7024

Notes: Base light grey, front lid graphite grey





## Bocard | Enclosure variants



Flat enclosure, with membrane lid, IP 65

Model	Order no.	A	B	C
BCD 160 Set 12-7035	20163512	199	178	54
BCD 200 Set 12-7035	20203512	229	203	59
BCD 250 Set 12-7035	20253512	264	233	69

Scope Of Delivery: 1 x BCD... UT-0,5-7035, 1 x BCD... OT-F-7035

Notes: Base light grey, front lid light grey



Flat enclosure, with membrane lid, IP 65

Model	Order no.	A	B	C
BCD 160 Set 12-7024	20162412	199	178	54
BCD 200 Set 12-7024	20202412	229	203	59
BCD 250 Set 12-7024	20252412	264	233	69

Scope Of Delivery: 1 x BCD... UT-0,5-7035, 1 x BCD... OT-F-7024

Notes: Base light grey, front lid graphite grey



High enclosure, with hinged membrane lid, IP 66 / IP 68 – 1.2m (2 hrs.)

Model	Order no.	A	B	C
BCD 160 Set 13-7035	20163513	199	179	106.5
BCD 200 Set 13-7035	20203513	229	204	116
BCD 250 Set 13-7035	20253513	264	234	141
BCD 310 Set 13-7035	20313513	324	289	145.2
BCD 400 Set 13-7035	20403513	404	344	160.5

Scope Of Delivery: 1 x BCD... UT-7035, 1 x BCD... OT-FSC-7035

Notes: Base light grey, front lid light grey



High enclosure, with hinged membrane lid, IP 66 / IP 68 – 1.2m (2 hrs.)

Model	Order no.	A	B	C
BCD 160 Set 13-7024	20162413	199	179	106.5
BCD 200 Set 13-7024	20202413	229	204	116
BCD 250 Set 13-7024	20252413	264	234	141
BCD 310 Set 13-7024	20312413	324	289	145.2
BCD 400 Set 13-7024	20402413	404	344	160.5

Scope Of Delivery: 1 x BCD... UT-7035, 1 x BCD... OT-FSC-7024

Notes: Base light grey, front lid graphite grey



Flat enclosure, with hinged membrane lid, IP 66 / IP 68 – 1.2m (2 hrs.)

Model	Order no.	A	B	C
BCD 160 Set 14-7035	20163514	199	179	71.5
BCD 200 Set 14-7035	20203514	229	204	76
BCD 250 Set 14-7035	20253514	264	234	86
BCD 310 Set 14-7035	20313514	324	289	111.2
BCD 400 Set 14-7035	20403514	404	344	112

Scope Of Delivery: 1 x BCD... UT-0,5-7035, 1 x BCD... OT-FSC-7035

Notes: Base light grey, front lid light grey



## Bocard | Enclosure variants

Flat enclosure, with hinged membrane lid, IP 66 / IP 68 – 1.2m (2 hrs.)

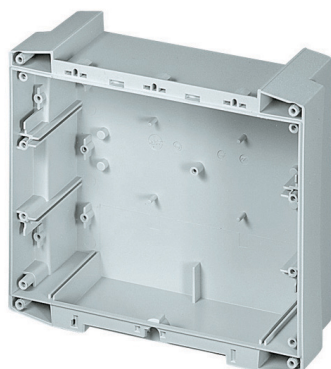
Model	Order no.	A	B	C
BCD 160 Set 14-7024	20162414	199	179	71.5
BCD 200 Set 14-7024	20202414	229	204	76
BCD 250 Set 14-7024	20252414	264	234	86
BCD 310 Set 14-7024	20312414	324	289	111.2
BCD 400 Set 14-7024	20402414	404	344	112

Scope Of Delivery: 1 x BCD... UT-0,5-7035, 1 x BCD... OT-FSC-7024

Notes: Base light grey, front lid graphite grey



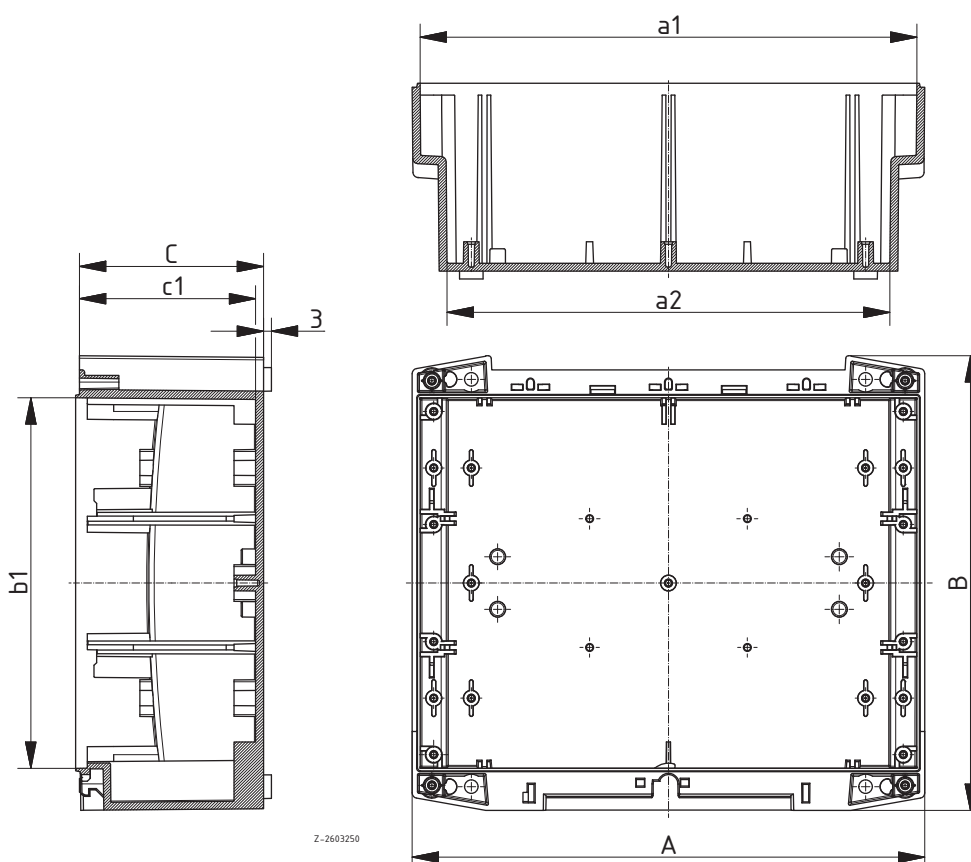
## Bocard | Bases



### Base, high

Model	Order no.	A	B	C	a1	a2	b1	c1	Colour
BCD 160 UT-7035	20160135	195	173	70	189	168.5	141	67	Light grey
BCD 160 UT-7024	20160124	195	173	70	189	168.5	141	67	Graphite grey
BCD 200 UT-7035	20200135	225	198	80	219	198.3	166	77	Light grey
BCD 200 UT-7024	20200124	225	198	80	219	198.3	166	77	Graphite grey
BCD 250 UT-7035	20250135	260	228	105	254	232.8	196	102	Light grey
BCD 250 UT-7024	20250124	260	228	105	254	232.8	196	102	Graphite grey
BCD 310 UT-7035	20310135	320	283	105	312	290.8	243	101	Light grey
BCD 400 UT-7035	20400135	400	338	120	391	369.6	297	115.5	Light grey

Scope Of Delivery: 1 Base, high



Z-2603250



**BOPLA**

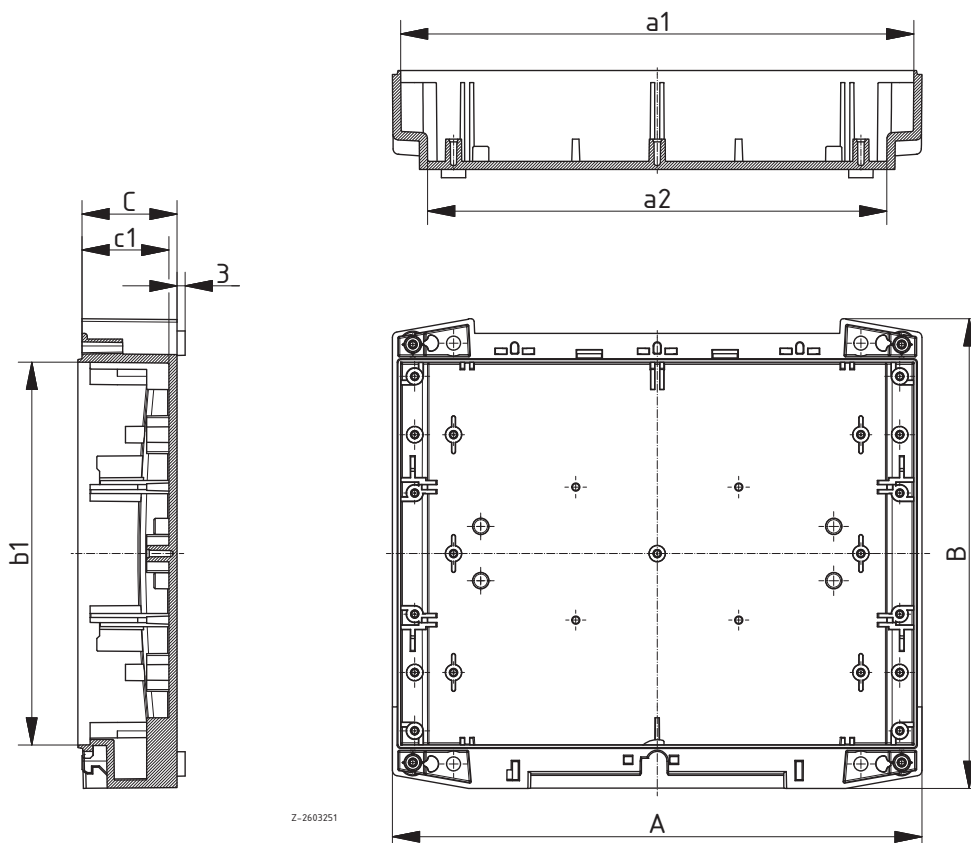
A Phoenix Mecano Company

# Bocard | Bases

## Base, flat

Model	Order no.	A	B	C	a1	a2	b1	c1	Colour
BCD 160 UT-0,5-7035	20160235	195	173	35	189	169	141	32	Light grey
BCD 160 UT-0,5-7024	20160224	195	173	35	189	169	141	32	Graphite grey
BCD 200 UT-0,5-7035	20200235	225	198	40	219	199	166	37	Light grey
BCD 200 UT-0,5-7024	20200224	225	198	40	219	199	166	37	Graphite grey
BCD 250 UT-0,5-7035	20250235	260	228	50	254	233.8	196	47	Light grey
BCD 250 UT-0,5-7024	20250224	260	228	50	254	233.8	196	47	Graphite grey
BCD 310 UT-0,5-7035	20310235	320	283	71	312	291.4	243	67	Light grey
BCD 400 UT-0,5-7035	20400235	400	338	71.5	391	370.5	297	67	Light grey

Scope Of Delivery: 1 Base, flat



For accessories, please see the end of the chapter

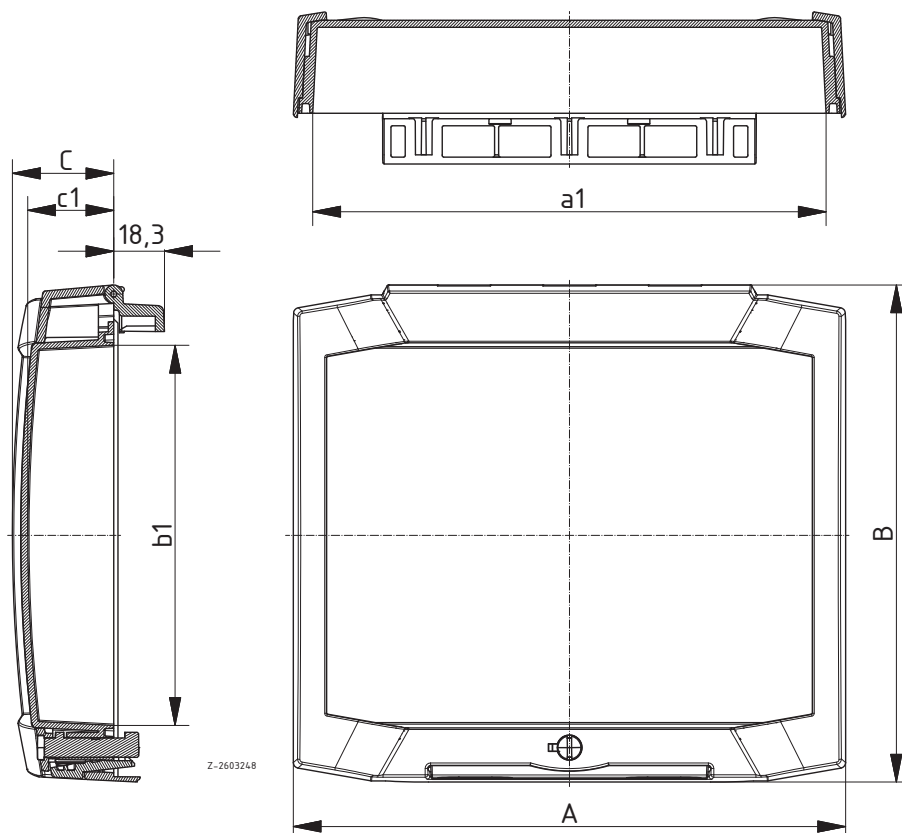
## Bocard | Lids



### Hinged front lid, crystal-clear

Model	Order no.	A	B	C	a1	b1	c1	Colour
BCD 165 OT-G-7035	20171035	199	179.2	36.5	185	137	31	Light grey
BCD 165 OT-G-7024	20171024	199	179.2	36.5	185	137	31	Graphite grey
BCD 205 OT-G-7035	20211035	229	204.2	36.1	215	162	31.8	Light grey
BCD 205 OT-G-7024	20211024	229	204.2	36.1	215	162	31.8	Graphite grey
BCD 255 OT-G-7035	20261035	264	234.2	36	250	192	31.9	Light grey
BCD 255 OT-G-7024	20261024	264	234.2	36	250	192	31.9	Graphite grey
BCD 315 OT-G-7035	20321035	324	289.2	37.2	308	239	31.7	Light grey
BCD 315 OT-G-7024	20321024	324	289.2	37.2	308	239	31.7	Graphite grey
BCD 405 OT-G-7035	20411035	404	344.2	37.5	387	293	31.5	Light grey
BCD 405 OT-G-7024	20411024	404	344.2	37.5	387	293	31.5	Graphite grey

Scope Of Delivery: 1 front lid, hinged, 1 catch, 1 blind plug



\* = Available on request

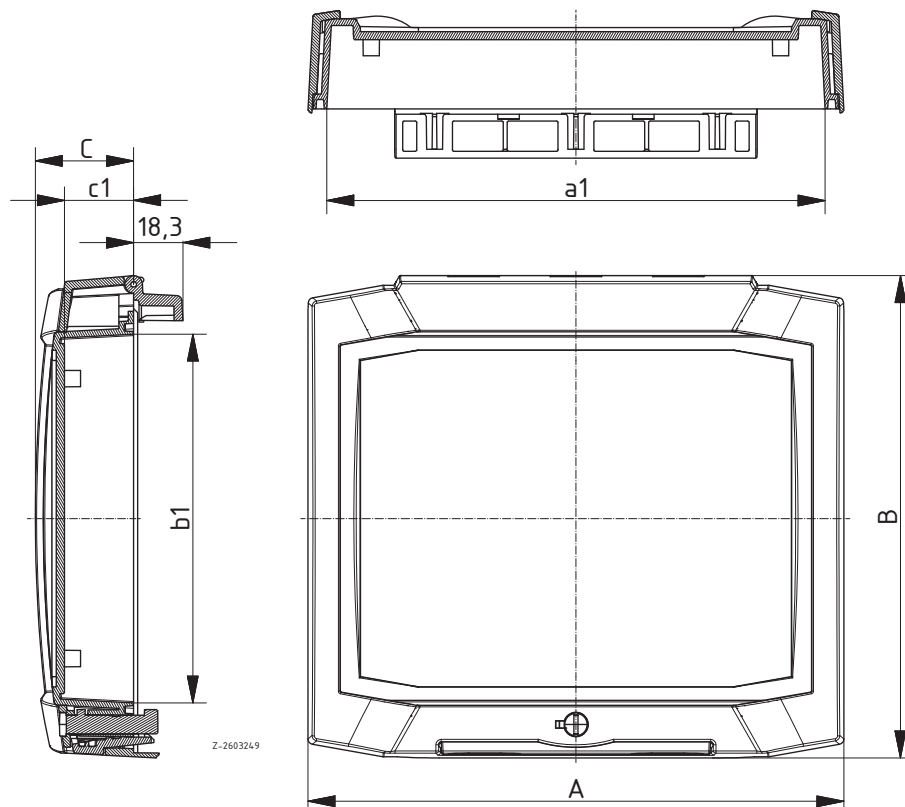


# Bocard | Lids

## Hinged front lid with membrane keypad area

Model	Order no.	A	B	C	a1	b1	c1	Colour
BCD 160 OT-FSC-7035	20161535	199	179.2	36.5	185	137	25.7	Light grey
BCD 160 OT-FSC-7024	20161524	199	179.2	36.5	185	137	25.7	Graphite grey
BCD 200 OT-FSC-7035	20201535	229	204.2	36.1	215	162	25.7	Light grey
BCD 200 OT-FSC-7024	20201524	229	204.2	36.1	215	162	25.7	Graphite grey
BCD 250 OT-FSC-7035	20251535	264	234.2	36	250	192	25.7	Light grey
BCD 250 OT-FSC-7024	20251524	264	234.2	36	250	192	25.7	Graphite grey
BCD 310 OT-FSC-7035	20311535	324	289.2	37.2	308	239	25.2	Light grey
BCD 310 OT-FSC-7024	20311524	324	289.2	37.2	308	239	25.2	Graphite grey
BCD 400 OT-FSC-7035	20401535	404	344.2	37.5	387	293	24.7	Light grey
BCD 400 OT-FSC-7024	20401524	404	344.2	37.5	387	293	24.7	Graphite grey

Scope Of Delivery: 1 front lid, hinged, 1 catch, 1 blind plug



For accessories, please see the end of the chapter

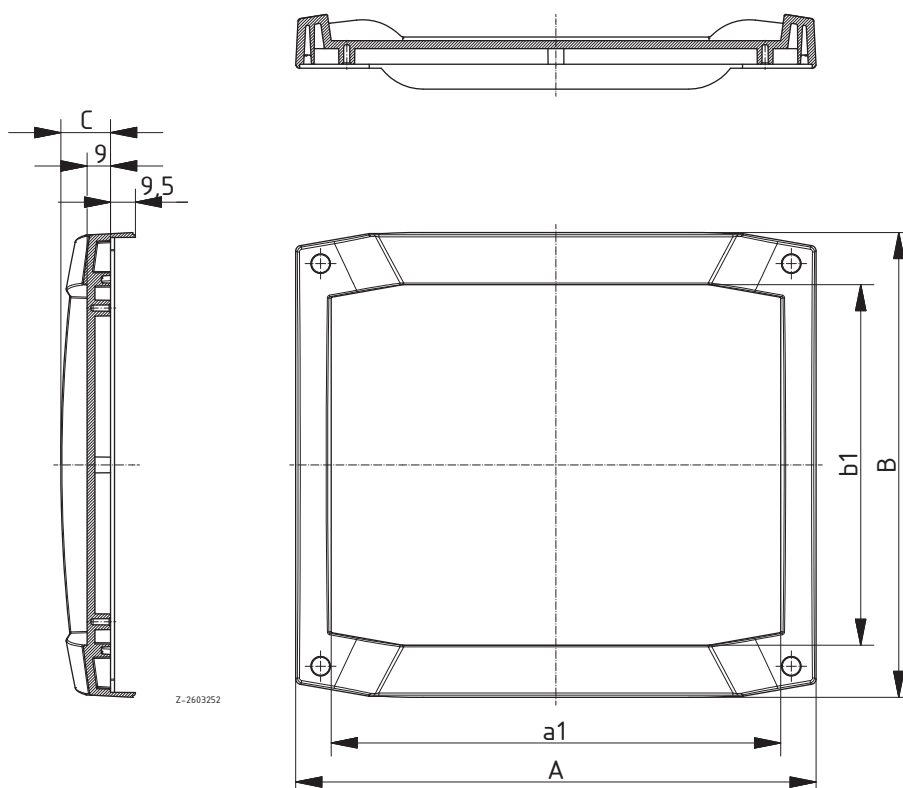
## Bocard | Lids



### Screw-on front lid with membrane keypad area

Model	Order no.	A	B	C	a1	b1	Colour
BCD 160 OT-F-7035	20161335	199	177.85	19	171.9	137.9	Light grey
BCD 160 OT-F-7024	20161324	199	177.85	19	171.9	137.9	Graphite grey
BCD 200 OT-F-7035	20201335	229	202.85	18.7	202.2	162.9	Light grey
BCD 200 OT-F-7024	20201324	229	202.85	18.7	202.2	162.9	Graphite grey
BCD 250 OT-F-7035	20251335	264	232.85	18.6	237.5	192.9	Light grey
BCD 250 OT-F-7024	20251324	264	232.85	18.6	237.5	192.9	Graphite grey

Scope Of Delivery: 1 front lid, screws, screw covers



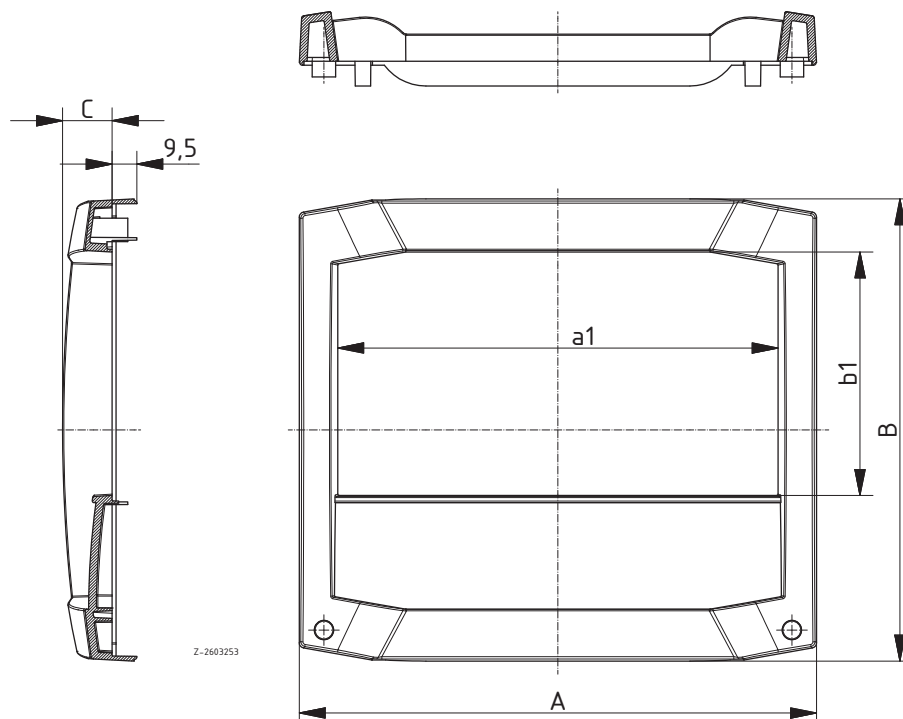
\* = Available on request

# Bocard | Lids

## Screw-on open front frame with terminal compartment cover, screw-on

Model	Order no.	A	B	C	a1	b1	Colour
BCD 160 FO-K-7035	20161235	199	177.85	19	169.3	93.7	Light grey
BCD 160 FO-K-7024	20161224	199	177.85	19	169.3	93.7	Graphite grey
BCD 200 FO-K-7035	20201235	229	202.85	18.7	199.7	108.7	Light grey
BCD 200 FO-K-7024	20201224	229	202.85	18.7	199.7	108.7	Graphite grey
BCD 250 FO-K-7035	20251235	264	232.85	18.6	235	131.7	Light grey
BCD 250 FO-K-7024	20251224	264	232.85	18.6	235	131.7	Graphite grey

Scope Of Delivery: 1 front frame with terminal compartment cover, screws, screw covers



For accessories, please see the end of the chapter

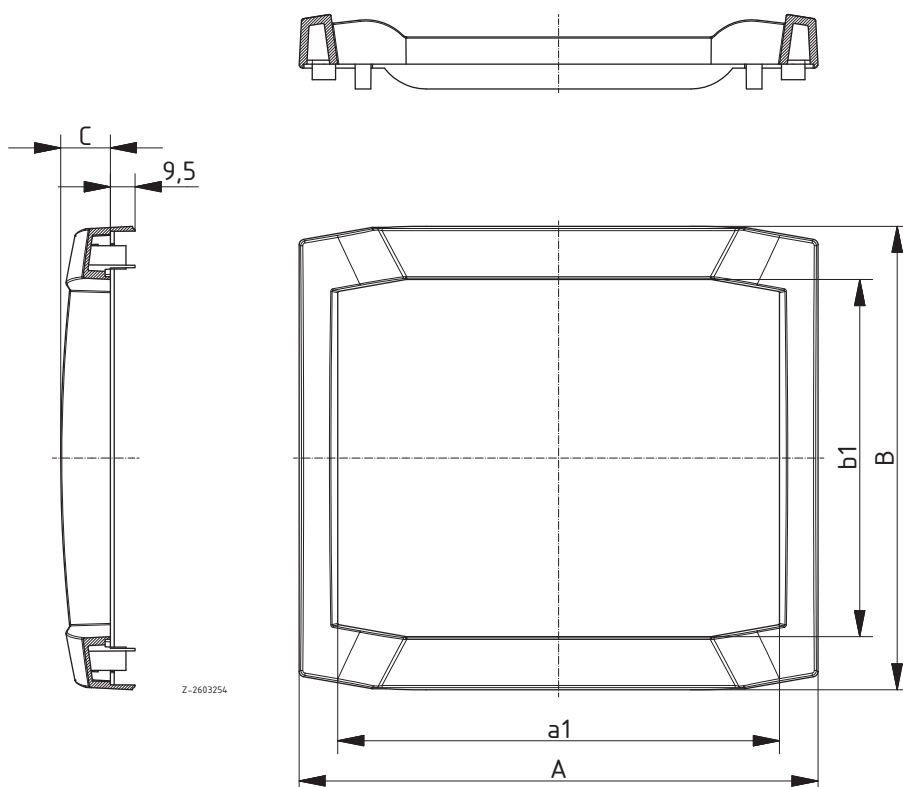
## Bocard | Lids



### Open front frame, clip-on

Model	Order no.	A	B	C	a1	b1	Colour
BCD 160 FO-7035	20161135	199	177.85	19	169.3	137	Light grey
BCD 160 FO-7024	20161124	199	177.85	19	169.3	137	Graphite grey
BCD 200 FO-7035	20201135	229	202.85	18.7	199.7	162	Light grey
BCD 200 FO-7024	20201124	229	202.85	18.7	199.7	162	Graphite grey
BCD 250 FO-7035	20251135	264	232.85	18.6	235	192	Light grey
BCD 250 FO-7024	20251124	264	232.85	18.6	235	192	Graphite grey

Scope Of Delivery: 1 front frame



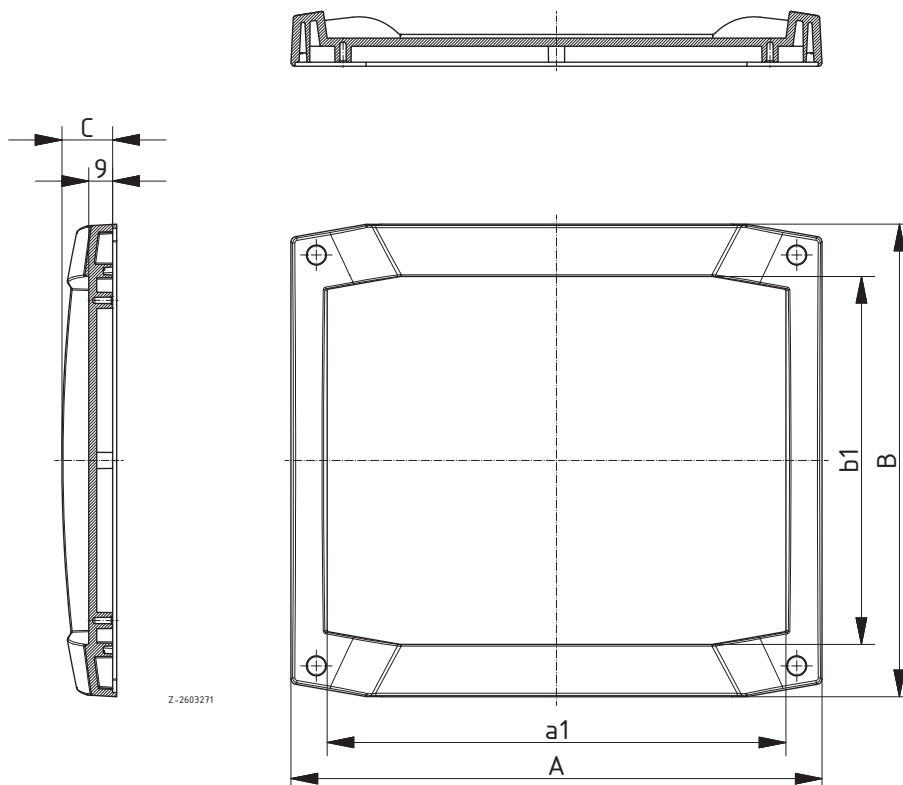
# Bocard | Installation area

## Installation area with membrane keypad area

Model	Order no.	A	B	C	a1	b1	Colour
BCD 160 CF-7035	20161435	199	177.85	19	171.9	137.9	Light grey
BCD 160 CF-7024	20161424	199	177.85	19	171.9	137.9	Graphite grey
BCD 200 CF-7035	20201435	229	202.85	18.7	202.2	162.9	Light grey
BCD 200 CF-7024	20201424	229	202.85	18.7	202.2	162.9	Graphite grey
BCD 250 CF-7035	20251435	264	232.85	18.6	237.5	192.9	Light grey
BCD 250 CF-7024	20251424	264	232.85	18.6	237.5	192.9	Graphite grey

Scope Of Delivery: 1 installation area, screws, screw covers, sponge rubber seal

Notes: Alternatively the seal can be glued to the control panel (positioned over the internal cut-out) or to the installation area. Ingress protection acc. to DIN EN 60529 possible up to max. IP 65, depending on thickness and type of control panel.



For accessories, please see the end of the chapter



## Bocard | Accessories



### Terminal compartment lid with membrane keypad area, screw-on

Model	Order no.	Colour	Note
BCD 160 KRD-7035	20162035	Light grey	For BCD 160
BCD 160 KRD-7024	20162024	Graphite grey	For BCD 160
BCD 200 KRD-7035	20202035	Light grey	For BCD 200
BCD 200 KRD-7024	20202024	Graphite grey	For BCD 200
BCD 250 KRD-7035	20252035	Light grey	For BCD 250
BCD 250 KRD-7024	20252024	Graphite grey	For BCD 250
BCD 310 KRD-7035	20312035	Light grey	For BCD 310
BCD 310 KRD-7024	20312024	Graphite grey	For BCD 310
BCD 400 KRD-7035	20402035	Light grey	For BCD 400
BCD 400 KRD-7024	20402024	Graphite grey	For BCD 400

Scope Of Delivery: 1 terminal compartment lid, 2 screws



### Handle elements, graphite grey

Model	Order no.	Note
BCD 160 GE-7024	20167024	For BCD 160
BCD 200 GE-7024	20207024	For BCD 200
BCD 250 GE-7024	20257024	For BCD 250

Scope Of Delivery: 2 handle elements (plastic), 1 cover for hinge bearing, 8 screws, 6 rubber feet

### Tip-up bow for handle element

Model	Order no.	Note
BCD 160 GE-B	20167100	For BCD 160 GE-7024
BCD 200 GE-B	20207100	For BCD 200 GE-7024
BCD 250 GE-B	20257100	For BCD 250 GE-7024

Scope Of Delivery: 1 tip-up bow



### Handle / Tip-up bow, hinged

Model	Order no.	Note
BCD 160 HS 2-9005	20008070	For BCD 160
BCD 200 HS 2-9005	20008071	For BCD 200
BCD 250 HS 2-9005	20008072	For BCD 250

Scope Of Delivery: Handle side parts (PA6), seals, screws

Scope of delivery HSP: profile (aluminium)

Notes: BOPLA can carry out the necessary processing of the base with individual adaptation of the position.

### Wall brackets

Model	Order no.	Colour
BCD WL-7035	20007000	Light grey
BCD WL-7024	20007100	Graphite grey

Scope Of Delivery: 4 wall brackets, screws

Notes: For 4-point wall fixing without opening the enclosure. Fitting to rear of enclosure from the outside. Suitable for all enclosures in this series.



## Bocard | Accessories

### Suspension elements for easy wall mounting

Model	Order no.	Colour
BCD WA-7035	20008085	Light grey
BCD WA-7024	20008086	Graphite grey

Scope Of Delivery: 2 wall fittings (for attaching the enclosure from above), 2 wall brackets (for fixing the enclosure with screws from below), screws

Notes: Suitable for direct wall fixing of a complete device. Fixing takes place via the lower wall brackets.



### Wall-mounting fastening bracket

Model	Order no.	Colour	Note
BCD 160 WB-7035	20008080	Light grey	For BCD 160
BCD 200 WB-7035	20008081	Light grey	For BCD 200
BCD 250 WB-7035	20008082	Light grey	For BCD 250

Scope Of Delivery: 1 wall-mounting fastening bracket (powder-coated sheet steel), screws

Notes: Special colours on request. Fitting to the enclosure rear is from the outside.

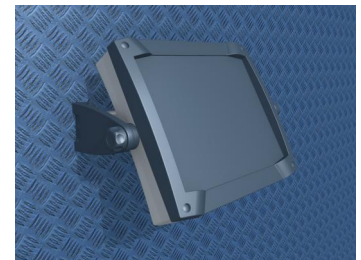


### Wall fitting for flat bases (BCD...-0,5), swivelling

Model	Order no.	Note
BCD 160-0.5-7024 UWB	20816024	For BCD 160
BCD 200-0.5-7024 UWB	20820024	For BCD 200
BCD 250-0.5-7024 UWB	20825024	For BCD 250

Scope Of Delivery: Profile (aluminium), 2 PA6 side flanges (complete), screws, covers

Notes: Fixed positions in 10° detent stages. Processing of the enclosure on request.



### DIN rails TS 15 / TS 35, top hat rail DIN EN 60715 TH 15 / TH 35

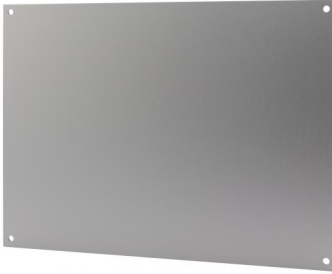
Model	Order no.	Note
TS 15.160.1	22151601	For BCD 160, terminal compartment, down
TS 15	22151851	For BCD 160 terminal compartment up, B 2330.. (crosswise)
TS 35.160.1	22351601	For BCD 160, centre down
TS 15.215.1	22152151	For BCD 200, terminal compartment up
TS 35.198.1	22351981	For BCD 200, centre on distance bolt
TS 15.225.1	22152251	For BCD 250, terminal compartment down
TS 15.250.1	22152501	For BCD 250, terminal compartment up
TS 35.225.1	22352251	For BCD 250, terminal compartment, down / centre down
TS 35.233.1	22352331	For BCD 250, centre on distance bolt
TS 35.176.1	22351761	For BCD 310
TS 35.288.1	22352881	For BCD 310
TS 35.216.1	22352161	For BCD 400
TS 35.367.1	22353671	For BCD 400

Scope Of Delivery: 1 DIN rail

Notes: Please order fixing screws separately (order no. [59006233](#)). Additional sizes on request.



## Bocard | Accessories

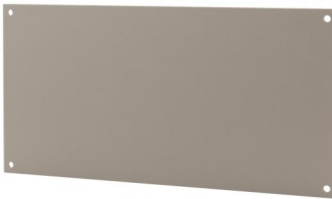


### Front panels, 1,5 mm, natural-coloured anodised aluminium

Model	Order no.	Note
BCD FP 160	20163000	For BCD 160
BCD FP 200	20203000	For BCD 200
BCD FP 250	20253000	For BCD 250
BCD FP 310	20313000	For BCD 310
BCD FP 400	20403000	For BCD 400

Scope Of Delivery: 1 front panel

Notes: Front panels with a max. thickness of 3 mm can be fitted to the enclosures in this series. Please order fixing screws separately (order no. [59006233](#)).



### Front panels for enclosures with terminal compartment, 1,5 mm, natural-coloured anodised aluminium

Model	Order no.	Note
BCD FP 160 K	20163100	For BCD 160
BCD FP 200 K	20203100	For BCD 200
BCD FP 250 K	20253100	For BCD 250
BCD FP 310 K	20313100	For BCD 310
BCD FP 400 K	20403100	For BCD 400

Scope Of Delivery: 1 front panel for enclosures with terminal compartment

Notes: Front panels with a max. thickness of 3 mm can be fitted to the enclosures in this series. Please order fixing screws separately (order no. [59006233](#)).

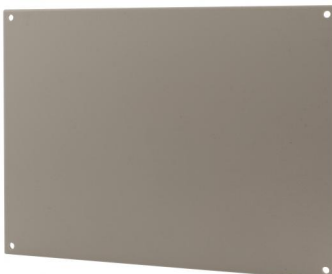


### Front panels for enclosures with 2 terminal compartments, 1,5 mm, natural-coloured anodised aluminium

Model	Order no.	Note
BCD FP 160 BK	20163200	For BCD 160
BCD FP 200 BK	20203200	For BCD 200
BCD FP 250 BK	20253200	For BCD 250
BCD FP 310 BK	20313200*	For BCD 310
BCD FP 400 BK	20403200*	For BCD 400

Scope Of Delivery: 1 front panel for enclosures with 2 terminal compartments

Notes: Front panels with a max. thickness of 3 mm can be fitted to the enclosures in this series. Please order fixing screws separately (order no. [59006233](#)).



### Front panels, ABS light grey, 2 mm, embossed on one side

Model	Order no.	Note
BCD FPK 160	20164000	For BCD 160
BCD FPK 200	20204000	For BCD 200
BCD FPK 250	20254000	For BCD 250
BCD FPK 310	20314000	For BCD 310
BCD FPK 400	20404000	For BCD 400

Scope Of Delivery: 1 front panel

Notes: Front panels with a max. thickness of 3 mm can be fitted to the enclosures in this series. Please order fixing screws separately (order no. [59006233](#)).

## Bocard | Accessories

Front panels for enclosures with terminal compartment, ABS light grey, 2 mm, embossed on one side

Model	Order no.	Note
BCD FPK 160 K	20164100	For BCD 160
BCD FPK 200 K	20204100	For BCD 200
BCD FPK 250 K	20254100	For BCD 250
BCD FPK 310 K	20314100	For BCD 310
BCD FPK 400 K	20404100	For BCD 400

Scope Of Delivery: 1 front panel for enclosures with terminal compartment

Notes: Front panels with a max. thickness of 3 mm can be fitted to the enclosures in this series. Please order fixing screws separately (order no. [59006233](#)).



Front panels for enclosures with 2 terminal compartments, ABS light grey, 2 mm, embossed on one side

Model	Order no.	Note
BCD FPK 160 BK	20164200	For BCD 160
BCD FPK 200 BK	20204200	For BCD 200
BCD FPK 250 BK	20254200	For BCD 250
BCD FPK 310 BK	20314200*	For BCD 310
BCD FPK 400 BK	20404200	For BCD 400

Scope Of Delivery: 1 front panel for enclosures with 2 terminal compartments

Notes: Front panels with a max. thickness of 3 mm can be fitted to the enclosures in this series. Please order fixing screws separately (order no. [59006233](#)).



Mounting panels, laminated paper

Model	Order no.	Note
BCD M 160	20166000	For BCD 160
BCD M 200	20206000	For BCD 200
BCD M 250	20256000	For BCD 250
BCD M 310	20316000	For BCD 310
BCD M 400	20406000	For BCD 400

Scope Of Delivery: 1 mounting panel

Notes: Please order fixing screws separately (order no. [59006233](#)).



Panels for dividing terminal compartments, insertable, laminated paper

Model	Order no.	Note
BCD TP 160	20165000	For BCD 160 UT
BCD TP 160-0,5	20165100	For BCD 160 UT-0,5
BCD TP 200	20205000	For BCD 200 UT
BCD TP 200-0,5	20205100	For BCD 200 UT-0,5
BCD TP 250	20255000	For BCD 250 UT
BCD TP 250-0,5	20255100	For BCD 250 UT-0,5
BCD TP 310	20315000	For BCD 310 UT
BCD TP 310 -0,5	20315100	For BCD 310 UT-0,5
BCD TP 400	20405000	For BCD 400 UT
BCD TP 400-0,5	20405100	For BCD 400 UT-0,5

Scope Of Delivery: 1 partition panel



## Bocard | Accessories



### Partitions for dividing electronics compartments, screw-on, laminated paper

Model	Order no.	Note
BCD TP 160 F	20165200	For BCD 160
BCD TP 200 F	20205200	For BCD 200
BCD TP 250 F	20255200	For BCD 250
BCD TP 310 F	20315200	For BCD 310
BCD TP 400 F	20405200	For BCD 400

Scope Of Delivery: 1 partition panel

Notes: Please order fixing screws separately (order no. [59006233](#)).



### Cylinder lock for front lid BCD...OT-G and BCD...OT-FSC-...

Model	Order no.
SHLO 402	21008320

Scope Of Delivery: 1 lock, 2 keys

Notes: The lock can be inserted into the opening in the BCD ... OT-G and BCD...OT-FSC-... at a later date. If a blind plug or catch has been fitted, it can be pushed out from the rear. The key can only be removed from the locked position.



### DIN rail holder for rails DIN EN 60715 TH 35, polyamide

Model	Order no.	Colour
TSH 35-2	20035000	Black, similar to RAL 9005

Scope Of Delivery: 2 DIN rail holders, screws

Notes: Fixing domes for fitting of the TSH 35-2 are already moulded onto the Bocard bases up to size BCD 250. The ingress protection category for the Bocard enclosure is not affected.



### Fixing screws for DIN rails, front / mounting panels and partitions

Model	Order no.
SHR Z KA30x10	59006233

Scope Of Delivery: 1 screw



### Distance bolts for mounting bosses, Ø 2.4-2.6 mm

Model	Order no.	Note
DIBLZ AK 30x5/IM3/10	59006986	ND = 2,4-2,6, length 10mm, SW 5,5

Scope Of Delivery: 1 distance bolt

Notes: The distance bolt can also be used to fix PCBs or mounting panels. This also makes it possible to fit (clearance 10 mm; M3) a parallel PCB or mounting panel. ND = boss internal diameter.





**BOPLA**

A Phoenix Mecano Company

## X-ON Electronics

Largest Supplier of Electrical and Electronic Components

*Click to view similar products for [DIN Rail Terminal Blocks](#) category:*

*Click to view products by [Phoenix Mecano](#) manufacturer:*

Other Similar products are found below :

[00110420202](#) [8WA1011-1BH23](#) [9123140000](#) [RBO 5-T-B-HEX](#) [HSL-TB64-DIN](#) [90.070](#) [90.202](#) [912314](#) [260-301\\_NR](#) [280-560](#) [280-564](#)  
[281-611/281-542](#) [281-673/281-411](#) [281-994](#) [283-317](#) [283-607](#) [264-724](#) [264-726](#) [280-530](#) [280-555](#) [280-619](#) [281-610](#) [281-622/281-417](#) [284-](#)  
[317](#) [2907033](#) [35956](#) [USK 10](#) [102510](#) [5520682](#) [EMH 25-ZE30](#) [1SNK705210R0000](#) [1SNK705151R0000](#) [1SNK705020R0000](#)  
[1SNK506066R0000](#) [1SNK506061R0000](#) [1SNK506012R0000](#) [1SNK505060R0000](#) [UM 45-SEFE M.NUT BK](#) [1SNK506013R0000](#)  
[1SNK506030R0000](#) [1SNK506062R0000](#) [1SNK506065R0000](#) [1SNK508062R0000](#) [1SNK508065R0000](#) [1SNK508066R0000](#)  
[1SNK705010R0000](#) [1SNK705012R0000](#) [1SNK705150R0000](#) [1SNK705152R0000](#) [1SNK705310R0000](#)