

Line laser, red, 650 nm, 45 °, 4 mW

LI650-4-5(8x26)45DEG-F40
Order Number: 70112641

Main Parameters (*)	min	typ	max	Unit
Wavelength		650		nm
Optical Output Power		4		mW
Operating Voltage	4.5	5	5.5	V DC
Operating Current	15	34	45	mA
Operating Temperature	-20		50	°C
Storage Temperature	-40		80	°C

Main Data

Warranty 1 years

Technical Parameters

Lifetime > 10,000 h
RoHS yes

Optical Parameters

Beam Shape Line
Laser Class 1
Divergence 1 - 1.5 mrad
Fan Angle 45 °
Line Thickness <0.3mm@0.04m
Operating Distance 0.04 m
Optics glass lens AR coated
Laser technology Single Mode Diode
Focus fixed (40mm)

Electrical Parameters

Potential of Housing isolated
Power Supply LFNT-5

Mechanical Parameters

Size Ø8x26 mm
Material aluminium
Cable length 100 mm
Wire type 26AWG, 0,14mm²
Output Aperture 3 mm
Housing Color black
Weight 4 g
Stripping of wire 5 mm

(*) Over the complete operating temperature range

Features



- Laser Class 1
- Low power consumption
- For medical devices
- Uniform line thickness
- Image processing

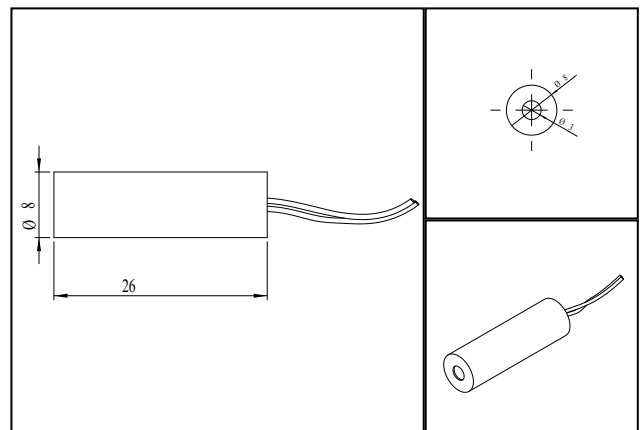
Picture



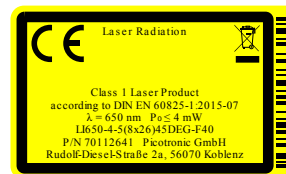
Cable color

Ground		green	GND
Positive		red	4.5 - 5.5, typ 5 V DC

Drawing



Safety Label



Valid Revision

23 | 12-AUG-2021

X-ON Electronics

Largest Supplier of Electrical and Electronic Components

Click to view similar products for [Industrial Lasers](#) category:

Click to view products by [PICOTRONIC](#) manufacturer:

Other Similar products are found below :

[5113220008](#) [LC-LMD-650-07-01-A](#) [FP-L-635-2-40-C-24V](#) [70131512](#) [70115505](#) [70103380](#) [70107425](#) [70116007](#) [70106954](#) [70103786](#)
[70108477](#) [70112764](#) [70107241](#) [70103069](#) [70105803](#) [70118063](#) [70124989](#) [70117271](#) [70121582](#) [70109986](#) [70122183](#) [70106398](#) [70105643](#)
[70109849](#) [70115420](#) [70103977](#) [70106848](#) [70106664](#) [70105612](#) [70108927](#) [70100037](#) [70114331](#) [70105964](#) [70104011](#) [70127171](#) [70116076](#)
[70108552](#) [70116991](#) [70105735](#) [70106312](#) [70110524](#) [70114843](#) [70125702](#) [70116267](#) [70118001](#) [70105032](#) [70105728](#) [70104349](#) [70121315](#)
[70115956](#)