

## Dot laser, red, 650 nm, 0.4 mW

DC650-0.4-3(8x25)  
Order Number: 70114843

Main Parameters (*)	min	typ	max	Unit
Wavelength		650		nm
Optical Output Power		0.4		mW
Operating Voltage	2.7	3	3.3	V DC
Operating Current	10	18	30	mA
Operating Temperature	-20		50	°C
Storage Temperature	-40		80	°C

### Main Data

Warranty 1 years

### Technical Parameters

Lifetime	> 5,000 h
RoHS	yes

### Optical Parameters

Beam Shape	Dot
Laser Class	1
Divergence	C - 0.4 mrad
Size of Laserdot	adjustable
Operating Distance	5 m
Optics	glass lens AR coated
Laser technology	Single Mode Diode
Focus	adjustable

### Electrical Parameters

Potential of Housing	isolated
Power Supply	LFNT-3

### Mechanical Parameters

Size	Ø8x25 mm
Material	aluminium
Cable length	100 mm
Wire type	26AWG, 0,14mm <sup>2</sup>
Output Aperture	3.5 mm
Housing Color	black
Weight	3.5 g
Stripping of wire	5 mm

(\*) Over the complete operating temperature range

### Features



- Operating Voltage 3 V DC
- Laser Class 1
- Low power consumption
- Compact size
- Adjustable focus

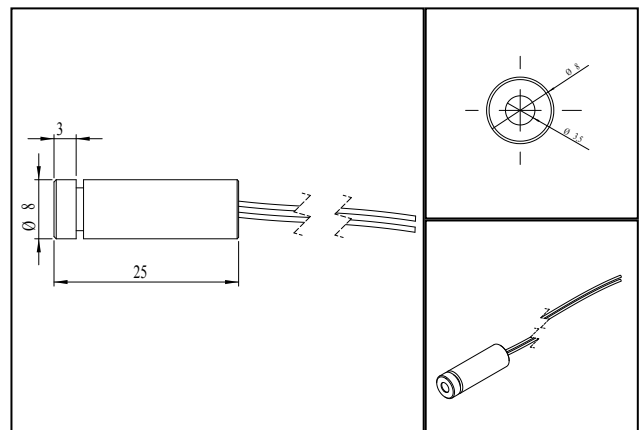
### Picture



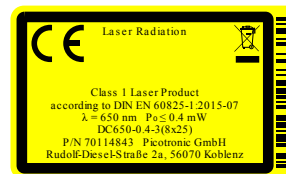
### Cable color

Ground		blue	GND
Positive		red	2.7 - 3.3, typ 3 V DC

### Drawing



### Safety Label



### Valid Revision

4 | 17-MAY-2022

## X-ON Electronics

Largest Supplier of Electrical and Electronic Components

*Click to view similar products for [Industrial Lasers](#) category:*

*Click to view products by [PICOTRONIC](#) manufacturer:*

Other Similar products are found below :

[5113220008](#) [LC-LMD-650-07-01-A](#) [FP-L-635-2-40-C-24V](#) [70131512](#) [70115505](#) [70103380](#) [70107425](#) [70116007](#) [70106954](#) [70103786](#)  
[70108477](#) [70112764](#) [70107241](#) [70103069](#) [70105803](#) [70118063](#) [70124989](#) [70117271](#) [70121582](#) [70109986](#) [70122183](#) [70106398](#) [70105643](#)  
[70109849](#) [70115420](#) [70103977](#) [70106848](#) [70106664](#) [70105612](#) [70108927](#) [70100037](#) [70114331](#) [70105964](#) [70104011](#) [70127171](#) [70116076](#)  
[70108552](#) [70116991](#) [70105735](#) [70106312](#) [70110524](#) [70114843](#) [70125702](#) [70116267](#) [70118001](#) [70105032](#) [70105728](#) [70104349](#) [70121315](#)  
[70115956](#)