

Dot laser, red, 650 nm, 0.4 mW

DI650-0.4-3(8x21)-AP
Order Number: 70121582

Main Parameters (*)	min	typ	max	Unit
Wavelength	640	650	660	nm
Optical Output Power	0.3	0.4	0.4	mW
Operating Voltage	2.7	3	3.3	V DC
Operating Current	10	18	30	mA
Operating Temperature	-20		50	°C
Storage Temperature	-40		80	°C

Main Data

Warranty 1 years

Technical Parameters

Lifetime > 5,000 h
RoHS yes

Optical Parameters

Beam Shape Dot
Laser Class 1
Divergence 1 - 1.5 mrad
Beam Diameter 2 mm
Size of Laserdot <3.5mm@5m
Operating Distance 10 m
Optics glass lens AR coated
Laser technology Single Mode Diode
Axial Divergence $\pm 0.15^\circ$
Focus collimated

Electrical Parameters

Potential of Housing isolated
Power Supply LFNT-3

Mechanical Parameters

Size $\varnothing 8 \times 21$ mm
Material aluminium
Cable length 100 mm
Wire type 26AWG, 0,14mm²
Output Aperture 2.5 mm
Housing Color silver
Weight 3 g

(*) Over the complete operating temperature range

Features





- Axial parallel
- Low power consumption
- Compact size
- Laser Class 1
- Operating Voltage 3 V DC

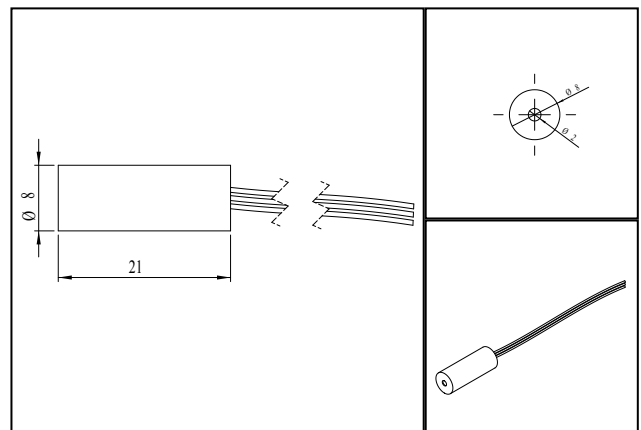
Picture



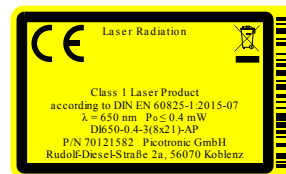
Cable color

Ground		blue	GND
Positive		red	2.7 - 3.3, typ 3 V DC

Drawing



Safety Label



Valid Revision

| 31-AUG-2022

X-ON Electronics

Largest Supplier of Electrical and Electronic Components

Click to view similar products for [Industrial Lasers](#) category:

Click to view products by [PICOTRONIC](#) manufacturer:

Other Similar products are found below :

[5113220008](#) [LC-LMD-650-07-01-A](#) [FP-L-635-2-40-C-24V](#) [70131512](#) [70115505](#) [70103380](#) [70107425](#) [70116007](#) [70106954](#) [70103786](#)
[70108477](#) [70112764](#) [70107241](#) [70103069](#) [70105803](#) [70118063](#) [70124989](#) [70117271](#) [70121582](#) [70109986](#) [70122183](#) [70106398](#) [70105643](#)
[70109849](#) [70115420](#) [70103977](#) [70106848](#) [70106664](#) [70105612](#) [70108927](#) [70100037](#) [70114331](#) [70105964](#) [70104011](#) [70127171](#) [70116076](#)
[70108552](#) [70116991](#) [70105735](#) [70106312](#) [70110524](#) [70114843](#) [70125702](#) [70116267](#) [70118001](#) [70105032](#) [70105728](#) [70104349](#) [70121315](#)
[70115956](#)