

## Line laser, red, 650 nm, 45 °, 5 mW

LI650-5-5(8x26)45DEG-F250  
Order Number: 70127171

Main Parameters (*)	min	typ	max	Unit
Wavelength		650		nm
Optical Output Power		5		mW
Operating Voltage	4.5	5	5.5	V DC
Operating Current	15	34	45	mA
Operating Temperature	-20		50	°C
Storage Temperature	-40		80	°C

### Main Data

Warranty 1 years

### Technical Parameters

Lifetime > 10,000 h  
RoHS yes

### Optical Parameters

Beam Shape Line  
Laser Class 1  
Divergence 1 - 1.5 mrad  
Fan Angle 45 °  
Line Thickness <0.5mm@0.25m  
Operating Distance 0.25 m  
Optics glass lens AR coated  
Laser technology Single Mode Diode  
Focus fixed (250mm)

### Electrical Parameters

Potential of Housing isolated  
Power Supply LFNT-5

### Mechanical Parameters

Size Ø8x26 mm  
Material aluminium  
Cable length 100 mm  
Wire type 26AWG, 0,14mm<sup>2</sup>  
Output Aperture 3 mm  
Housing Color black  
Weight 4 g  
Stripping of wire 5 mm

(\*) Over the complete operating temperature range

### Features



- Laser Class 1
- Low power consumption
- For medical devices
- Uniform line thickness
- Image processing

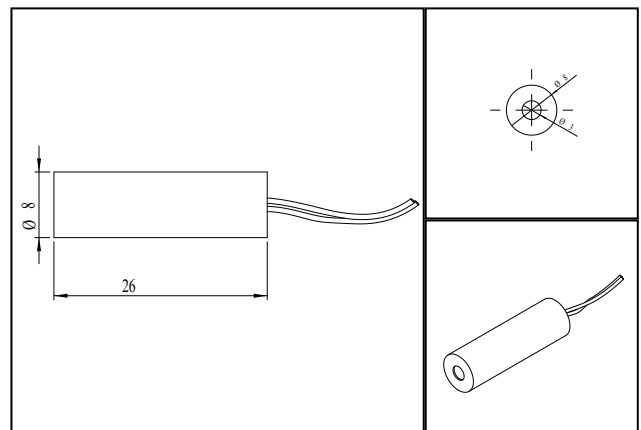
### Picture



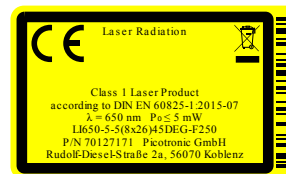
### Cable color

Ground		green	GND
Positive		red	4.5 - 5.5, typ 5 V DC

### Drawing



### Safety Label



### Valid Revision

| 27-APR-2023

## X-ON Electronics

Largest Supplier of Electrical and Electronic Components

*Click to view similar products for [Industrial Lasers](#) category:*

*Click to view products by [PICOTRONIC](#) manufacturer:*

Other Similar products are found below :

[5113220008](#) [LC-LMD-650-07-01-A](#) [FP-L-635-2-40-C-24V](#) [70131512](#) [70115505](#) [70103380](#) [70107425](#) [70116007](#) [70106954](#) [70103786](#)  
[70108477](#) [70112764](#) [70107241](#) [70103069](#) [70105803](#) [70118063](#) [70124989](#) [70117271](#) [70121582](#) [70109986](#) [70122183](#) [70106398](#) [70105643](#)  
[70109849](#) [70115420](#) [70103977](#) [70106848](#) [70106664](#) [70105612](#) [70108927](#) [70100037](#) [70114331](#) [70105964](#) [70104011](#) [70127171](#) [70116076](#)  
[70108552](#) [70116991](#) [70105735](#) [70106312](#) [70110524](#) [70114843](#) [70125702](#) [70116267](#) [70118001](#) [70105032](#) [70105728](#) [70104349](#) [70121315](#)  
[70115956](#)