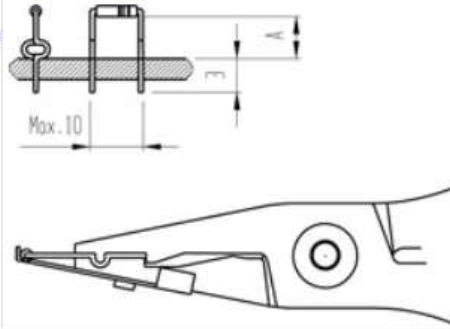


PNR 5010D



PNR 5010D: Forming pliers that cuts and forms in a double opposite C shape the component wire in one operation. Length setting is carried out by means of a sliding stop (A min 4 max 16). Steel thickness 10mm. Tool length 150mm.

ESD-safe handles



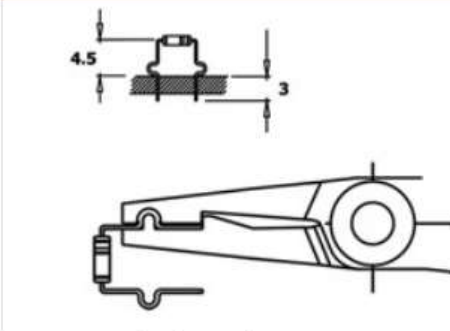
| Order code | Length(mm) | Forming force (kg) | Copper wire (Ø mm) | Copper wire (awg) |
|------------|------------|--------------------|--------------------|-------------------|
| PNR 5010D | 150 | 6 | 0.8 | 20 |

PTR 30 CD



PTR 30 CD: Pliers which forms the component wire in a C shape and cuts off the residual part. Residual component lead's length 3mm. Steel thickness 3.0mm. Tool length 150mm.

ESD-safe handles



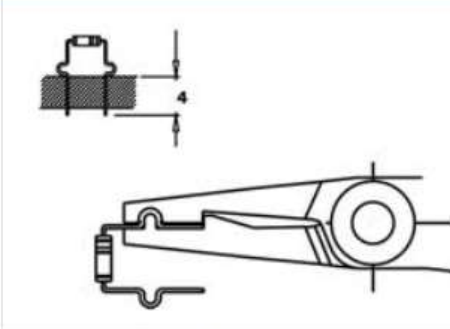
| Order code | Length(mm) | Forming force (kg) | Copper wire (Ø mm) | Copper wire (awg) |
|------------|------------|--------------------|--------------------|-------------------|
| PTR 30 CD | 150 | 3 | 0.8 | 20 |

PTR 30 C/5D



PTR 30 C/5D: Pliers which forms the component wire in a C shape and cuts off the residual part. Residual component lead's length 4mm. Steel thickness 3.0mm. Tool length 150mm.

ESD-safe handles



| Order code | Length (mm) | Forming force (kg) | Copper wire (Ø mm) | Copper wire (awg) |
|-------------|-------------|--------------------|--------------------|-------------------|
| PTR 30 C/5D | 150 | 5.5 | 0.8 | 20 |

X-ON Electronics

Largest Supplier of Electrical and Electronic Components

Click to view similar products for [Pliers & Tweezers](#) category:

Click to view products by [Piergiacomini](#) manufacturer:

Other Similar products are found below :

[0031](#) [32750](#) [PN-5050/38D](#) [PG-TP-30D](#) [PG-DP-18-N](#) [G77015](#) [4-1532129-2](#) [77 12 115](#) [0037](#) [T0058765801](#) [571](#) [76C](#) [37 31 125](#) [RX 8130](#)
[37 33 125](#) [DRP10N](#) [32 11 135](#) [36 12 130](#) [0036](#) [64 11 115](#) [0032](#) [6231-08](#) [PN 5050/19D](#) [PNI 5000](#) [TP 5000/15D](#) [TR 5000 PR](#) [TR 58 R A D](#)
[00 20 08 US2](#) [13 01 614](#) [87 28 250 SBA](#) [INCP8](#) [30993](#) [011820101](#) [011830101](#) [011910110](#) [003780032](#) [003780041](#) [134-69-160](#) [134-69-180](#)
[135-49-VDE-190](#) [137-49-VDE-180](#) [137-49-VDE-200](#) [137-49-VDE-240](#) [137-69-180](#) [137-69-200](#) [137-69-240](#) [138-49-VDE-200](#) [138-69-200](#)
[140-49-VDE-170](#) [140-49-VDE-205](#)