



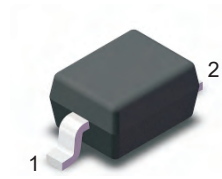
1SS355WB

Silicon Epitaxial Planar Switching Diode

Features

- For surface mount applications
- High Speed : $t=1.2\text{ns}$ Typ.
- High speed switching
- High reliability with high surge current handling capability

SOD-323W



1.Cathode —|<— 2.Anode

Marking Code: A

Absolute Maximum Ratings at $T_A = 25\text{ }^\circ\text{C}$

Parameter	Symbol	1SS355WB	Unit
Non-Repetitive Peak Reverse Voltage	V_{RM}	90	V
DC Reverse Voltage	V_R	80	V
Peak Forward Current	I_{FM}	225	mA
Average Rectified Output Current	I_O	100	mA
Surge Current (1s)	I_{surge}	500	mA
Operating Temperature	T_J	125	$^\circ\text{C}$
Storage Temperature Range	T_{STG}	-55 to +125	$^\circ\text{C}$

Characteristics at $T_A = 25\text{ }^\circ\text{C}$

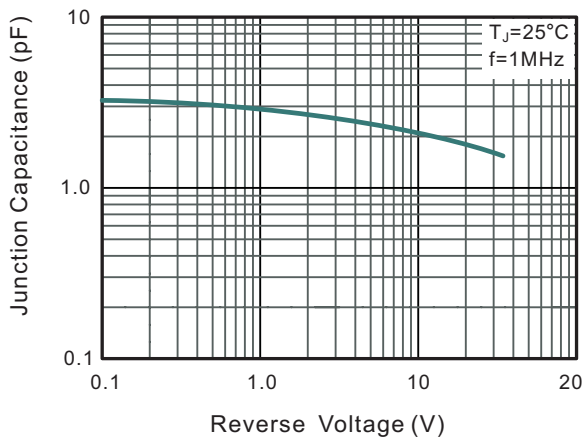
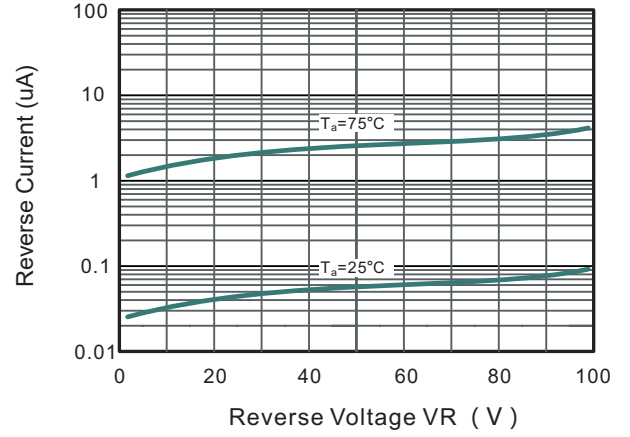
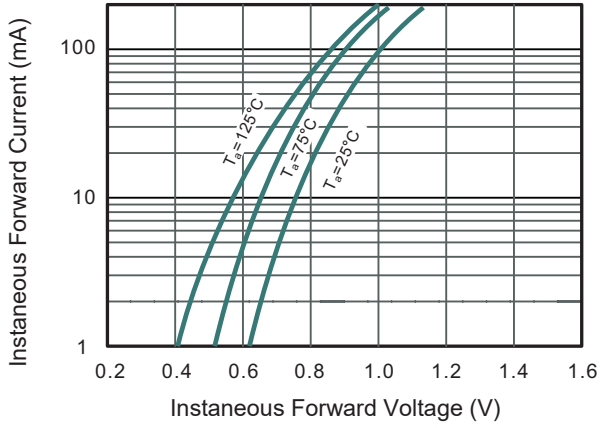
Parameter	Symbol	1SS355WB	Unit
Forward Voltage $I_F = 100\text{ mA}$	V_F	1.2	V
Reverse Current $V_R = 80\text{ V}$	I_R	0.1	μA
Capacitance Between Terminals at $V_R = 0.5\text{ V}$, $f = 1\text{ MHz}$	C_T	3	pF
Reverse Recovery Time at $V_R = 6\text{ V}$, $I_F = 10\text{ mA}$, $R_L = 100\ \Omega$	T_{rr}	4	nS



1SS355WB

Silicon Epitaxial Planar Switching Diode

Typical Characteristic Curves





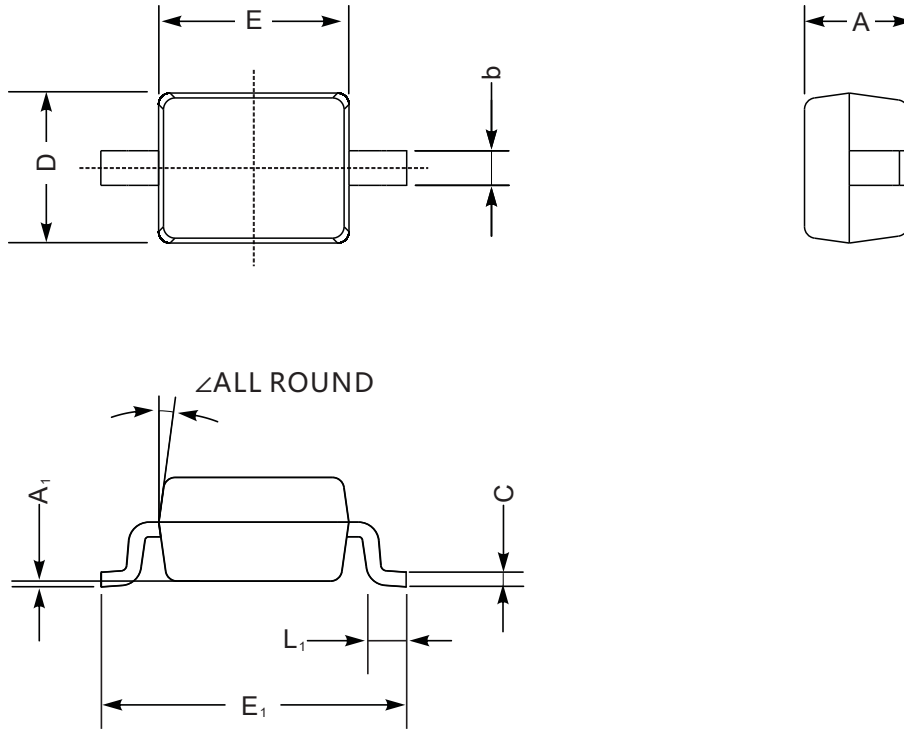
1SS355WB

Silicon Epitaxial Planar Switching Diode

Package Outline

SOD-323W

Dimensions in mm



UNIT		A	C	D	E	E ₁	b	L ₁	A ₁	∠
mm	max	1.1	0.15	1.4	1.8	2.75	0.4	0.45	0.2	9°
	min	0.8	0.08	1.2	1.4	2.55	0.25	0.2	—	
mil	max	43	5.9	55	70	108	16	16	8	
	min	32	3.1	47	63	100	9.8	7.9	—	

X-ON Electronics

Largest Supplier of Electrical and Electronic Components

Click to view similar products for [Diodes - General Purpose, Power, Switching category:](#)

Click to view products by [Pingjingsemi manufacturer:](#)

Other Similar products are found below :

[MCL4151-TR3](#) [MMBD3004S-13-F](#) [RD0306T-H](#) [BAV17-TR](#) [BAV19-TR](#) [1N3611](#) [NTE156A](#) [NTE574](#) [NTE6244](#) [1SS181-TP](#)
[1SS400CST2RA](#) [SDAA13](#) [SHN2D02FUTW1T1G](#) [LS4151GS08](#) [1N4449](#) [1N456A](#) [1N4934-E3/73](#) [1N914B](#) [1N914BTR](#) [1SS226-TP](#)
[RFUH20TB3S](#) [D291S45T](#) [BAV300-TR](#) [BAW56DWQ-7-F](#) [BAW75-TAP](#) [MM230L-CAA](#) [IDW40E65D1](#) [JAN1N3600](#) [JAN1N4153-1](#)
[JAN1N4454-1](#) [JAN1N4454UR-1](#) [LL4151-GS18](#) [053684A](#) [SMMSD4148T3G](#) [707803H](#) [NSVDAN222T1G](#) [CDSZC01100-HF](#) [LL4150-M-08](#)
[1N4454-TR](#) [BAV199E6433HTMA1](#) [BAV70HDW-7](#) [BAS28-7](#) [JANTX1N6640](#) [BAW56HDW-13](#) [BAS28 TR](#) [VS-HFA04SD60STR-M3](#)
[NSVM1MA152WKT1G](#) [1SS388-TP](#) [RGP30D-E3/73](#) [VS-8EWF02S-M3](#)