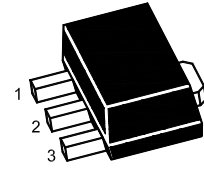




### Features

- High current output up to 3A
- Low saturation voltage
- Complement to 2SD882SQ

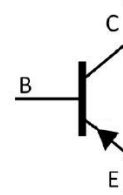


SOT-89

PIN1: Base PIN 2: Collector PIN 3: Emitter

### Applications

These devices are intended for use in audio frequency power amplifier and low speed switching applications



### Absolute Maximum Ratings (Ta=25°C unless otherwise specified)

Parameter	Symbol	Rating	Unit
Collector to Base Voltage	$-V_{CBO}$	40	V
Collector to Emitter Voltage	$-V_{CEO}$	30	V
Emitter to Base Voltage	$-V_{EBO}$	5	V
Collector Current-Continuous	$-I_C$	3	A
Peak Collector Current	$-I_{CP}$	7	A
Base Current - Continuous	$-I_B$	0.6	A
Total Power Dissipation	$P_D$	1	W
Total Power Dissipation	$P_D (T_C=25^\circ\text{C})$	10	W
Junction Temperature	$T_J$	150	°C
Storage Temperature Range	$T_{STG}$	-55~150	°C



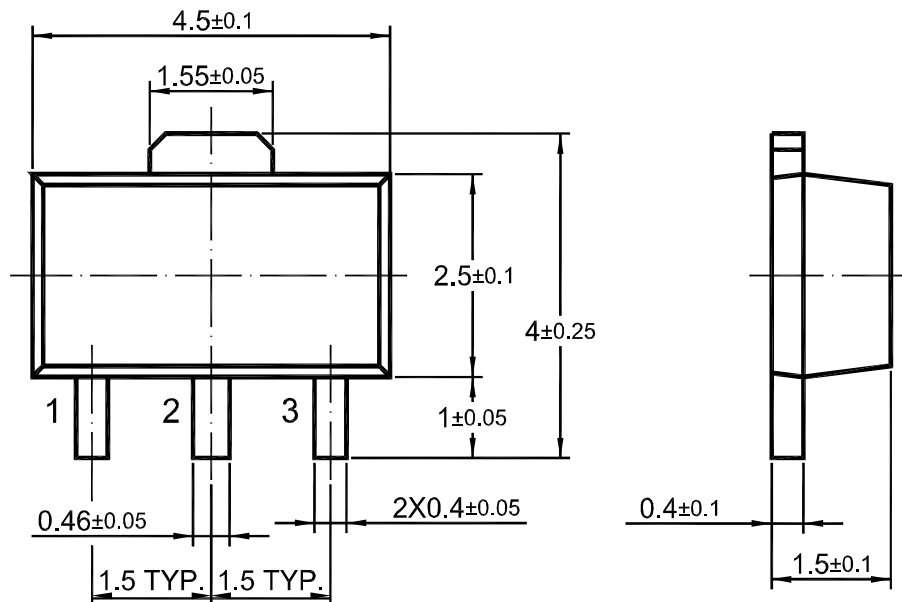
**Electrical Characteristics** (Ta=25°C unless otherwise specified)

Parameter	Symbol	Min	Typ	Max	Unit
DC Current Gain					
at $-V_{CE} = 2\text{ V}$ , $-I_C = 20\text{ mA}$	$h_{FE}$	30	-	-	-
at $-V_{CE} = 2\text{ V}$ , $-I_C = 1\text{ A}$ Current Gain Group	R	60	-	120	-
	Q	100	-	200	-
	P	160	-	320	-
	E	200	-	400	-
Collector Base Cutoff Current	$-I_{CBO}$	-	-	1	$\mu\text{A}$
Emitter Base Cutoff Current	$-I_{EBO}$	-	-	1	$\mu\text{A}$
Collector Base Breakdown Voltage	$-V_{(BR)CBO}$	40	-	-	V
Collector Emitter Breakdown Voltage	$-V_{(BR)CEO}$	30	-	-	V
Emitter Base Breakdown Voltage	$-V_{(BR)EBO}$	5	-	-	V
Collector Emitter Saturation Voltage	$-V_{CE(sat)}$	-	-	0.5	V
Base Emitter Saturation Voltage	$-V_{BE(sat)}$	-	-	2	V
Current Gain Bandwidth Product	$f_T$	-	80	-	MHz
Output Capacitance	$C_{ob}$	-	55	-	pF

**Package Outline**

SOT-89

Unit : mm



**Ordering Information**

Device	Package	Shipping
2SB772SQ	SOT-89	1000PCS

## X-ON Electronics

Largest Supplier of Electrical and Electronic Components

*Click to view similar products for [Bipolar Transistors - BJT category](#):*

*Click to view products by [Pingjingsemi manufacturer](#):*

Other Similar products are found below :

[619691C](#) [MCH4017-TL-H](#) [MJ15024/WS](#) [MJ15025/WS](#) [BC546/116](#) [BC556/FSC](#) [BC557/116](#) [BSW67A](#) [HN7G01FU-A\(T5L,F,T](#)  
[NJVMJD148T4G](#) [NSVMMBT6520LT1G](#) [NTE187A](#) [NTE195A](#) [NTE2302](#) [NTE2330](#) [NTE2353](#) [NTE316](#) [IMX9T110](#) [NTE63](#) [NTE65](#)  
[C4460](#) [SBC846BLT3G](#) [2SA1419T-TD-H](#) [2SA1721-O\(TE85L,F\)](#) [2SA1727TLP](#) [2SA2126-E](#) [2SB1202T-TL-E](#) [2SB1204S-TL-E](#) [2SC5488A-](#)  
[TL-H](#) [2SD2150T100R](#) [SP000011176](#) [FMC5AT148](#) [2N2369ADCSM](#) [2SB1202S-TL-E](#) [2SC2412KT146S](#) [2SC4618TLN](#) [2SC5490A-TL-H](#)  
[2SD1816S-TL-E](#) [2SD1816T-TL-E](#) [CMXT2207 TR](#) [CPH6501-TL-E](#) [MCH4021-TL-E](#) [BC557B](#) [TTC012\(Q\)](#) [BULD128DT4](#) [JANTX2N3810](#)  
[Jantx2N5416](#) [US6T6TR](#) [KSF350](#) [068071B](#)