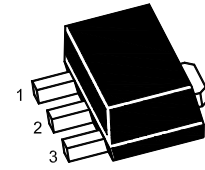




Features.

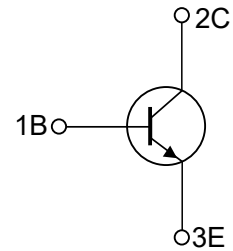
- High current output up to 3A
- Low saturation voltage
- Complement to 2SB772SQ



Applications

These devices are intended for use in audio frequency power amplifier and low speed switching applications

PIN1: Base PIN 2: Collector PIN 3: Emitter



Absolute Maximum Ratings (Ta=25°C unless otherwise specified)

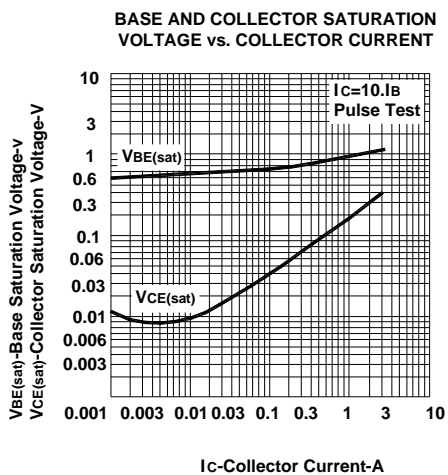
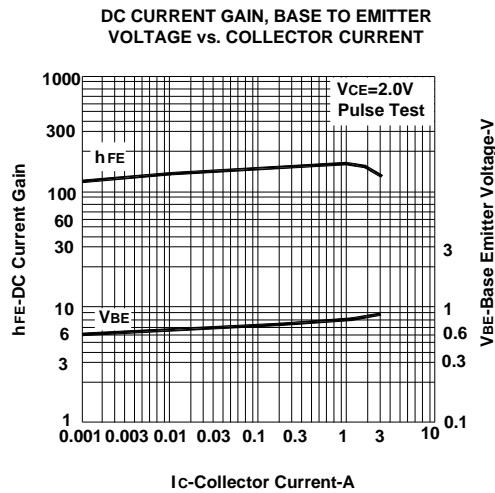
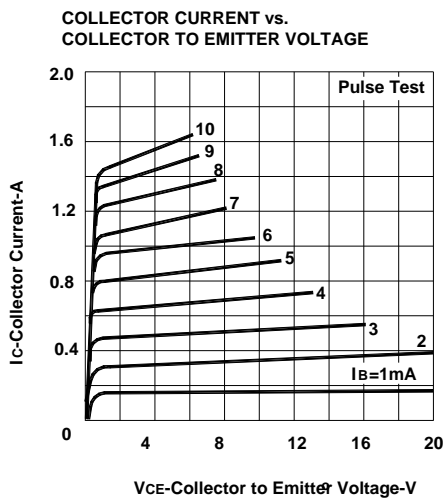
Parameter	Symbol	Rating	Unit
Collector to Base Voltage	V_{CB0}	40	V
Collector to Emitter Voltage	V_{CEO}	30	V
Emitter to Base Voltage	V_{EBO}	5	V
Collector Current-Continuous	I_C	3	A
Peak Collector Current	I_{CP}	7	A
Total Power Dissipation	P_D	1	W
Total Power Dissipation	$P_D (T_c=25^\circ\text{C})$	10	W
Junction Temperature	T_J	150	°C
Storage Temperature Range	T_{STG}	-55~150	°C



Electrical Characteristics (Ta=25°C unless otherwise specified)

Parameter	Symbol	Min.	Typ.	Max.	Unit	
DC Current Gain at V _{CE} = 2 V, I _C = 20 mA at V _{CE} = 2 V, I _C = 1 A						
	Current Gain Group R	h _{FE}	30	-	-	-
	Q	h _{FE}	60	-	120	-
	P	h _{FE}	100	-	200	-
	E	h _{FE}	160	-	320	-
Collector Base Cutoff Current	at V _{CB} = 30 V	I _{CBO}	-	-	1	μA
Emitter Base Cutoff Current	at V _{EB} = 3 V	I _{EBO}	-	-	1	μA
Collector Emitter Saturation Voltage	at I _C = 2 A, I _B = 0.2 A	V _{CE(sat)}	-	-	0.5	V
Base Emitter Saturation Voltage	at I _C = 2 A, I _B = 0.2 A	V _{BE(sat)}	-	-	2	V
Gain Bandwidth Product	at V _{CE} = 5 V, I _C = 0.1 A	f _T	-	90	-	MHz
Output Capacitance	at V _{CB} = 10 V, f = 1 MHz	C _{ob}	-	45	-	pF

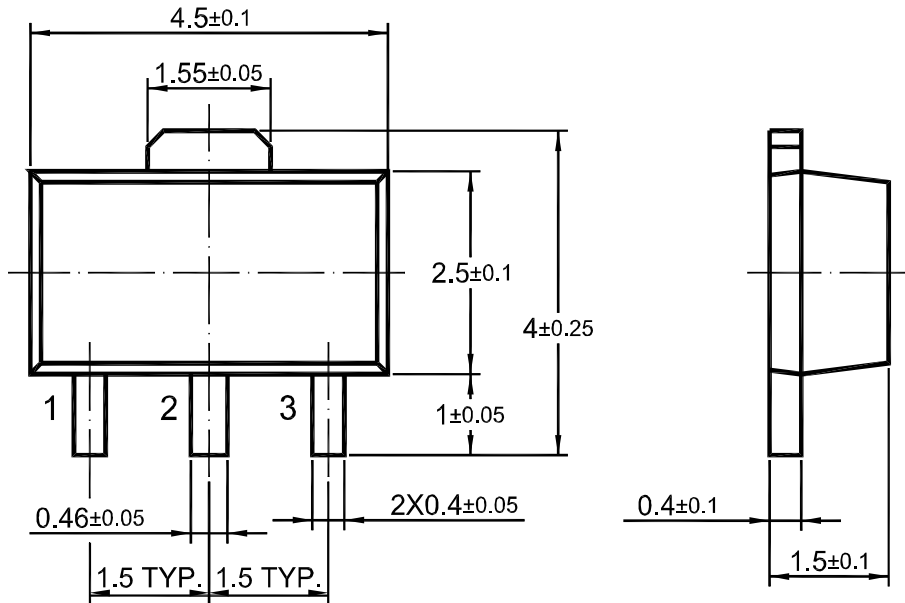
Typical Characteristic Curves





Package Outline

SOT-89



Ordering information

Device	Package	Shipping
2SD882SQ	SOT-89	1000PCS

X-ON Electronics

Largest Supplier of Electrical and Electronic Components

Click to view similar products for [Bipolar Transistors - BJT category](#):

Click to view products by [Pingjingsemi manufacturer](#):

Other Similar products are found below :

[619691C](#) [MCH4017-TL-H](#) [MJ15024/WS](#) [MJ15025/WS](#) [BC546/116](#) [BC556/FSC](#) [BC557/116](#) [BSW67A](#) [HN7G01FU-A\(T5L,F,T](#)
[NJVMJD148T4G](#) [NSVMMBT6520LT1G](#) [NTE187A](#) [NTE195A](#) [NTE2302](#) [NTE2330](#) [NTE2353](#) [NTE316](#) [IMX9T110](#) [NTE63](#) [NTE65](#)
[C4460](#) [SBC846BLT3G](#) [2SA1419T-TD-H](#) [2SA1721-O\(TE85L,F\)](#) [2SA1727TLP](#) [2SA2126-E](#) [2SB1202T-TL-E](#) [2SB1204S-TL-E](#) [2SC5488A-](#)
[TL-H](#) [2SD2150T100R](#) [SP000011176](#) [FMC5AT148](#) [2N2369ADCSM](#) [2SB1202S-TL-E](#) [2SC2412KT146S](#) [2SC4618TLN](#) [2SC5490A-TL-H](#)
[2SD1816S-TL-E](#) [2SD1816T-TL-E](#) [CMXT2207 TR](#) [CPH6501-TL-E](#) [MCH4021-TL-E](#) [BC557B](#) [TTC012\(Q\)](#) [BULD128DT4](#) [JANTX2N3810](#)
[Jantx2N5416](#) [US6T6TR](#) [KSF350](#) [068071B](#)