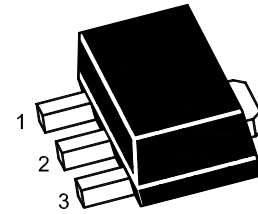




**Features**

- For AF driver and output stages
- High collector current
- Low collector-emitter saturation voltage

**SOT-89**



1.Base 2.Collector 3.Emitter

**Absolute Maximum Ratings** (Ta=25°C unless otherwise specified)

Parameter	Symbol	Value	Units
Collector Base Voltage	V <sub>CBO</sub>	100	V
Collector Emitter Voltage	V <sub>CEO</sub>	80	V
Emitter Base Voltage	V <sub>EBO</sub>	5	V
Collector Current	I <sub>C</sub>	1	A
Peak Collector Current	I <sub>CM</sub>	1.5	A
Total Power Dissipation	P <sub>tot</sub>	0.5 <sup>(1)</sup> 1.3 <sup>(2)</sup>	W
Junction Temperature	T <sub>J</sub>	150	°C
Storage Temperature Range	T <sub>stg</sub>	- 65 to + 150	°C

Note :1.Device mounted on an FR4 Printed-Circuit Board(PCB), single-sided copper, tin-plated and standard footprint.

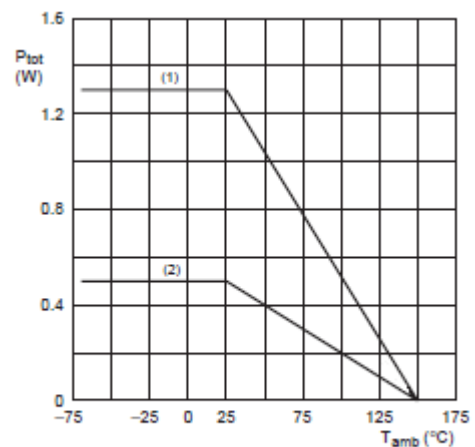
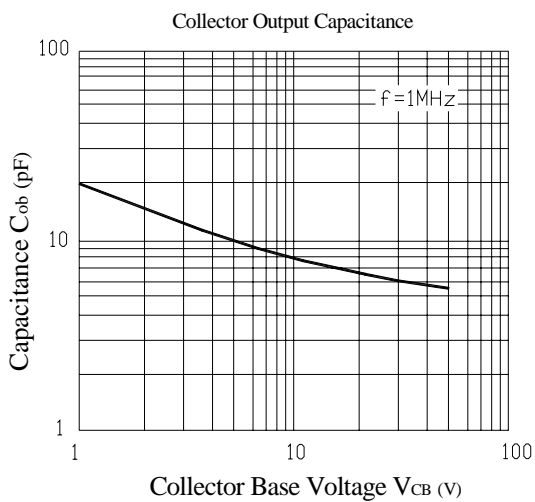
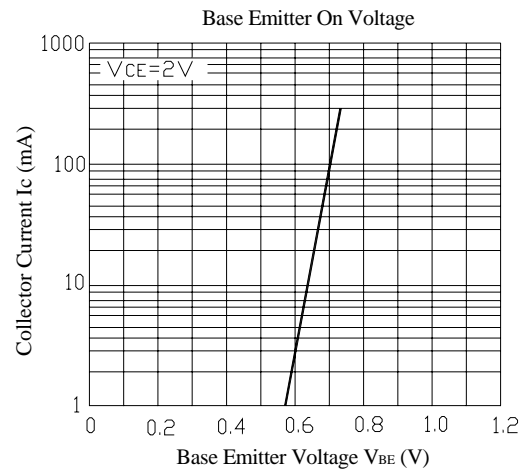
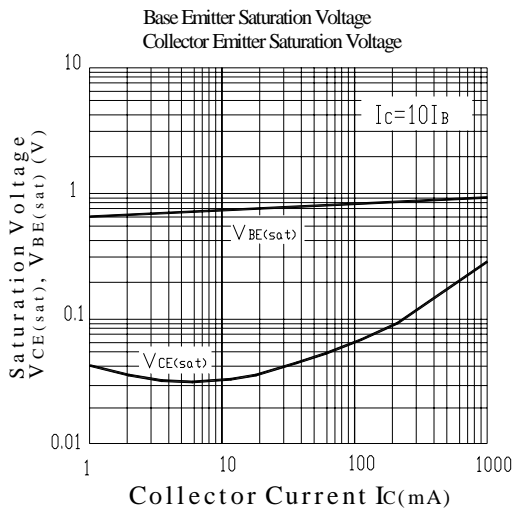
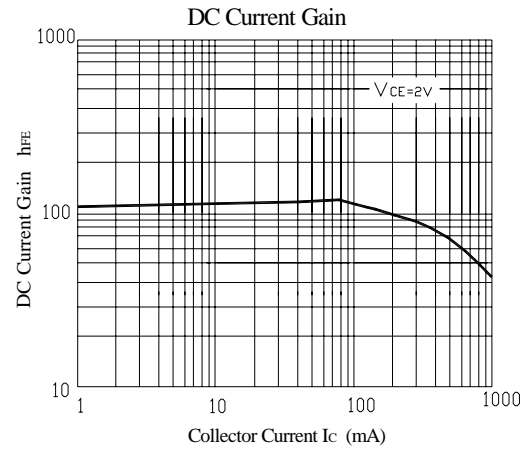
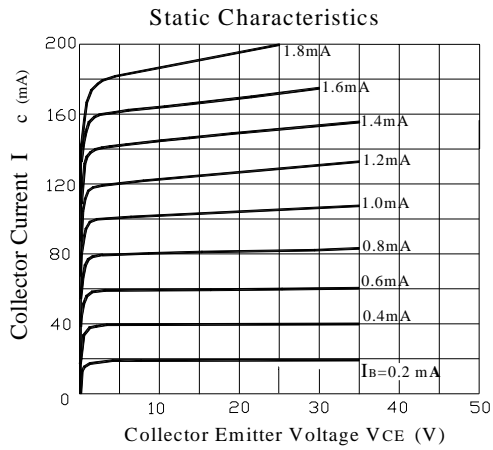
2. Device mounted on an FR4 PCB, single-sided copper, tin-plated, mounting pad for collector 6 cm<sup>2</sup>

**Electrical Characteristics** (Ta=25°C unless otherwise specified)

Parameter	Symbol	Min.	Typ.	Max.	Units
DC Current Gain					
at V <sub>CE</sub> = 2 V, I <sub>C</sub> = 5 mA	h <sub>FE</sub>	40	-	-	-
at V <sub>CE</sub> = 2 V, I <sub>C</sub> = 150 mA	BCX56SQ-10 h <sub>FE</sub>	63	-	160	-
	BCX56SQ-16 h <sub>FE</sub>	100	-	250	-
at V <sub>CE</sub> = 2 V, I <sub>C</sub> = 500m A	h <sub>FE</sub>	25	-	-	-
Collector Base Cutoff Current at V <sub>CB</sub> = 30 V	I <sub>CBO</sub>	-	-	100	nA
Emitter Base Cutoff Current at V <sub>EB</sub> = 5 V	I <sub>EBO</sub>	-	-	100	nA
Collector Base Breakdown Voltage at I <sub>C</sub> = 100 μA	V <sub>(BR)CBO</sub>	100	-	-	V
Collector Emitter Breakdown Voltage at I <sub>C</sub> = 1 mA	V <sub>(BR)CEO</sub>	80	-	-	V
Emitter Base Breakdown Voltage at I <sub>E</sub> = 100 μA	V <sub>(BR)EBO</sub>	5	-	-	V
Collector Emitter Saturation Voltage at I <sub>C</sub> = 500 mA, I <sub>B</sub> = 50 mA	V <sub>CE(sat)</sub>	-	-	0.5	V
Base Emitter Voltage at V <sub>CE</sub> = 2 V, I <sub>C</sub> = 500 mA	V <sub>BE</sub>	-	-	1	V
Transition Frequency at V <sub>CE</sub> = 5 V, I <sub>C</sub> = 50 mA, f = 100 MHz	f <sub>T</sub>	100	-	-	MHz
Collector Capacitance at V <sub>CB</sub> = 10 V, f = 1 MHz	C <sub>c</sub>	-	6	-	pF



### Typical Characteristic Curves

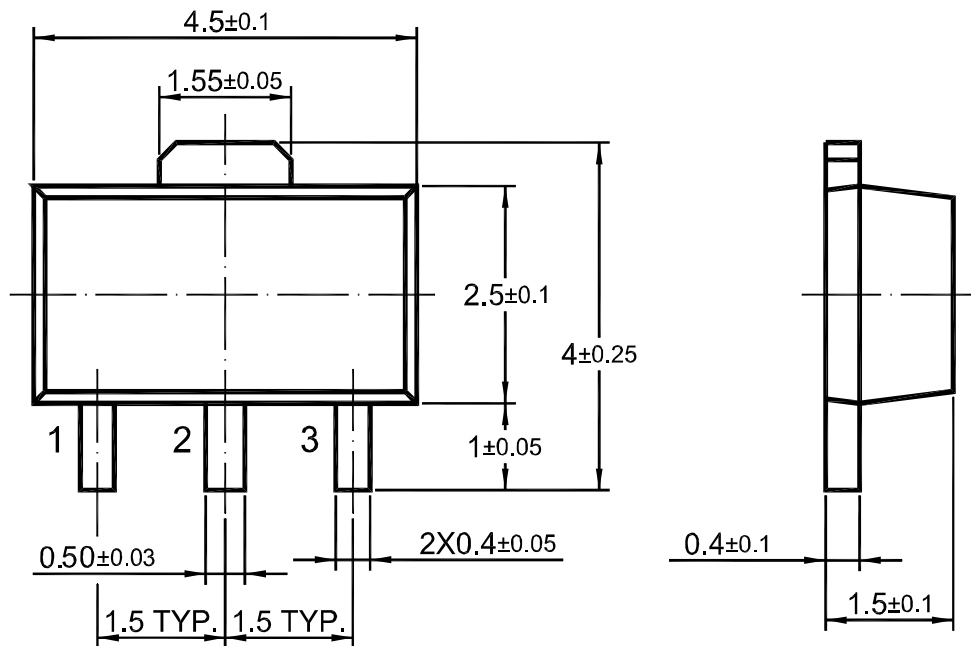




**Package Outline**

SOT-89

Dimensions in mm



**Ordering information**

Device	Package	Shipping
BCX56SQ	SOT-89	1000PCS/Reel&Tape

## X-ON Electronics

Largest Supplier of Electrical and Electronic Components

*Click to view similar products for [Bipolar Transistors - BJT category](#):*

*Click to view products by [Pingjingsemi manufacturer](#):*

Other Similar products are found below :

[619691C](#) [MCH4017-TL-H](#) [MJ15024/WS](#) [MJ15025/WS](#) [BC546/116](#) [BC556/FSC](#) [BC557/116](#) [BSW67A](#) [HN7G01FU-A\(T5L,F,T](#)  
[NJVMJD148T4G](#) [NSVMMBT6520LT1G](#) [NTE187A](#) [NTE195A](#) [NTE2302](#) [NTE2330](#) [NTE2353](#) [NTE316](#) [IMX9T110](#) [NTE63](#) [NTE65](#)  
[C4460](#) [SBC846BLT3G](#) [2SA1419T-TD-H](#) [2SA1721-O\(TE85L,F\)](#) [2SA1727TLP](#) [2SA2126-E](#) [2SB1202T-TL-E](#) [2SB1204S-TL-E](#) [2SC5488A-](#)  
[TL-H](#) [2SD2150T100R](#) [SP000011176](#) [FMC5AT148](#) [2N2369ADCSM](#) [2SB1202S-TL-E](#) [2SC2412KT146S](#) [2SC4618TLN](#) [2SC5490A-TL-H](#)  
[2SD1816S-TL-E](#) [2SD1816T-TL-E](#) [CMXT2207 TR](#) [CPH6501-TL-E](#) [MCH4021-TL-E](#) [BC557B](#) [TTC012\(Q\)](#) [BULD128DT4](#) [JANTX2N3810](#)  
[Jantx2N5416](#) [US6T6TR](#) [KSF350](#) [068071B](#)